

CMB's partner factory regularly manufacture and developing insert bearing and pillow block, bearings production is strictly conform to china GB/T307-1994 standard (ISO 492/DIN 620), all bearings adopt GCr15 (100Cr6, AISI 52100) refined bearing steel and 100% achieve ABEC-1 precision grade, Housing units adopt casting iron and pressed steel.

### Catalog Index:

- |  |   |
|--|---|
| Insert bearing with setscrew-UC              | Bearing with flange units-UCF                 |
| Insert bearing with setscrew-UCX             | Bearing with flange units-UCFC                |
| Insert bearing with eccentric collar-HC      | Bearing with flange units-UCFL                |
| Insert bearing with adapter sleeve-UK        | Bearing with flange units-UCFA                |
| Insert bearing with snap ring-SER            | Bearing with flange units-UCFB                |
| Insert bearing with eccentric collar-SA, CSA | Bearing with t Take-UP unit UCT               |
| Insert bearing with eccentric collar-SB, CSB | Bearing with t hanger unit-UCHA               |
| Pillow block-UCP200, UCP300                  | Bearing with t round unit-UCC                 |
| Pillow block-UCPX                            | Bearing with flange unit light duty-SALP SBLP |
| Pillow block-HCP                             | Bearing with flange unit light duty-SALF SBLF |
| Pillow block-UKP+H                           | Bearing with pressed steel unit-SAPP SBPP     |
| Pillow block-UCPE                            | Agricultural bearings                         |
| Pillow block-UCPA                            | AG bearings Disk harrow units                 |
| Pillow block-UCPH                            | Bearing and housing interchange table         |

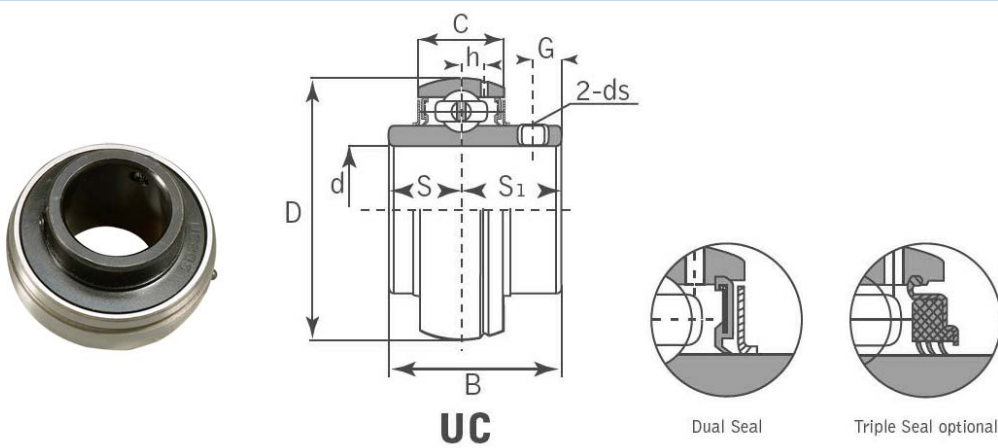
### Description

- Dimension tolerance:** GB/T 3882-1995 / JIS B1558 / ISO 9628-1992.
- Structure:** Insert bearing with setscrew, eccentric collar, adapter sleeve, pillow block, flange housing, pressed steel housing
- Material:** **Ball Bearing Inserts:** GCr15 steel (JIS G4805, 100Cr6) High carbon chromium bearing steel.  
**Cage and the Rivet:** JIS G3141 Cold rolled carbon steel sheet and strip, The material of the rivet is JIS G3507 Low carbon steel wire rods A.  
**Housings:** HT200 (JIS G5501) Gray iron casting.



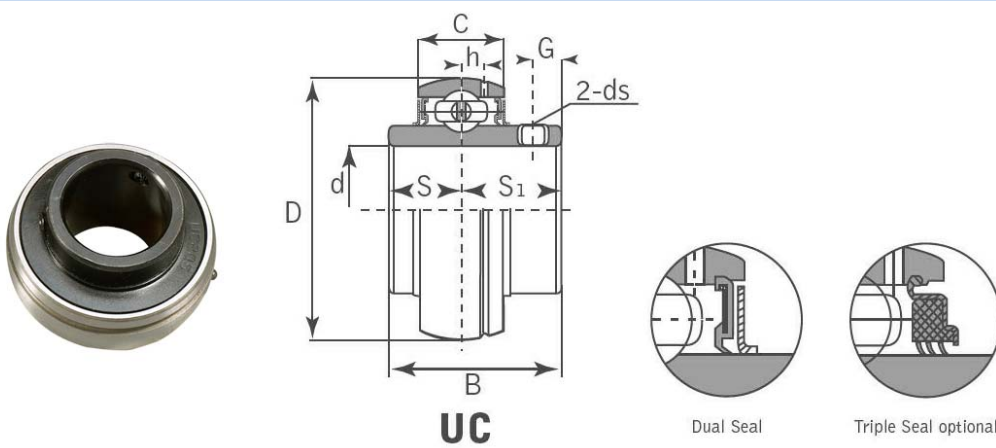
Imp. dist. de retenes rodamientos y afines S.A.

Av. Ramón carcamo 720 Lima 1 - Perú  
 Teléfono: (511) 424 7518 / Fax: (511) 423 4099  
 Nextel: 831\*7611 / 818\*3953



UC200													
Bearing No.	Dimension (mm)										Load rating (N)		Mass
CMB	d	D	B	C	S	S1	G	ds	H	Cr	Cor	(kg)	
UC201	12	47	31	17	12.7	18.3	4.8	M6x1	3.7	12800	6650	0.2	
UC201-8	1/2	1.8504	1.2205	0.6693	0.5	0.72	0.189	1/4-28UNF	0.146	12800	6650	0.19	
UC202	15	47	31	17	12.7	18.3	4.8	M6x1	3.7	12800	6650	0.19	
UC202-9	9/16	1.8504	1.2205	0.6693	0.5	0.72	0.189	1/4-28UNF	0.146	12800	6650	0.19	
UC202-10	5/8	1.8504	1.2205	0.6693	0.5	0.72	0.189	1/4-28UNF	0.146	12800	6650	0.19	
UC203	17	47	31	17	12.7	18.3	4.8	M6x1	3.7	12800	6650	0.18	
UC203-11	11/16	1.8504	1.2205	0.6693	0.5	0.72	0.189	1/4-28UNF	0.146	12800	6650	0.17	
UC204	20	47	31	17	12.7	18.3	4.8	M6x 1	3.7	12800	6650	0.16	
UC204-12	3/4	1.8504	1.2205	0.6693	0.5	0.72	0.189	1/4-28UNF	0.146	12800	6650	0.16	
UC205	25	52	34.1	17	14.3	19.8	5	M6x1	3.9	14000	7850	0.2	
UC205-13	13/16	2.0472	1.3425	0.6693	0.563	0.78	0.197	1/4-28UNF	0.154	14000	7850	0.24	
UC205-14	7/8	2.0472	1.3425	0.6693	0.563	0.78	0.197	1/4-28UNF	0.154	14000	7850	0.23	
UC205-15	15/16	2.0472	1.3425	0.6693	0.563	0.78	0.197	1/4-28UNF	0.154	14000	7850	0.21	
UC205-16	1	2.0472	1.3425	0.6693	0.563	0.78	0.197	1/4-28UNF	0.154	14000	7850	0.2	
UC206	30	62	38.1	19	15.9	22.2	5	M6x1	5	19500	11300	0.32	
UC206-17	1-1/16	2.4409	1.5	0.748	0.626	0.874	0.197	1/4-28UNF	0.197	19500	11300	0.33	
UC206-18	1-1/8	2.4409	1.5	0.748	0.626	0.874	0.197	1/4-28UNF	0.197	19500	11300	0.34	
UC206-19	1-3/16	2.4409	1.5	0.748	0.626	0.874	0.197	1/4-28UNF	0.197	19500	11300	0.32	
UC206-20	1-1/4	2.4409	1.5	0.748	0.626	0.874	0.197	1/4-28UNF	0.197	19500	11300	0.31	
UC207	35	72	42.9	20	17.5	25.4	7	M8x1	5.7	25700	15300	0.48	
UC207-20	1-1/4	2.8346	1.689	0.7874	0.689	1	0.276	5/16-24UNF	0.224	25700	15300	0.54	
UC207-21	1-5/16	2.8346	1.689	0.7874	0.689	1	0.276	5/16-24UNF	0.224	25700	15300	0.51	
UC207-22	1-3/8	2.8346	1.689	0.7874	0.689	1	0.276	5/16-24UNF	0.224	25700	15300	0.48	
UC207-23	1-7/16	2.8346	1.689	0.7874	0.689	1	0.276	5/16-24UNF	0.224	25700	15300	0.45	
UC208	40	80	49.2	21	19	30.2	8	M8x1	6.2	29500	18100	0.64	
UC208-24	1-1/2	3.1496	1.937	0.8268	0.748	1.189	0.315	5/16-24UNF	0.244	29500	18100	0.68	
UC208-25	1-9/16	3.1496	1.937	0.8268	0.748	1.189	0.315	5/16-24UNF	0.244	29500	18100	0.65	
UC209	45	85	49.2	22	19	30.2	8	M8x1	6.4	31600	20600	0.68	
UC209-26	1-5/8	3.3465	1.937	0.8661	0.748	1.189	0.315	5/16-24UNF	0.252	31600	20600	0.78	
UC209-27	1-11/16	3.3465	1.937	0.8661	0.748	1.189	0.315	5/16-24UNF	0.252	31600	20600	0.74	
UC209-28	1-3/4	3.3465	1.937	0.8661	0.748	1.189	0.315	5/16-24UNF	0.252	31600	20600	0.7	
UC210	50	90	51.6	24	19	32.6	10	M10x1	6.5	35000	23200	0.8	
UC210-29	1-13/16	3.5433	2.0315	0.9449	0.748	1.283	0.394	3/8-24UNF	0.256	35000	23200	0.92	
UC210-30	1-7/8	3.5433	2.0315	0.9449	0.748	1.283	0.394	3/8-24UNF	0.256	35000	23200	0.87	
UC210-31	1-15/16	3.5433	2.0315	0.9449	0.748	1.283	0.394	3/8-24UNF	0.256	35000	23200	0.82	
UC210-32	2	3.5433	2.0315	0.9449	0.748	1.283	0.394	3/8-24UNF	0.256	35000	23200	0.78	
UC211	55	100	55.6	25	22.2	33.4	10	M10x1	7	43500	29200	1.11	
UC211-32	2	3.937	2.189	0.9843	0.874	1.315	0.394	3/8-24UNF	0.276	43500	29200	1.26	
UC211-33	2-1/16	3.937	2.189	0.9843	0.874	1.315	0.394	3/8-24UNF	0.276	43500	29200	1.2	
UC211-34	2-1/8	3.937	2.189	0.9843	0.874	1.315	0.394	3/8-24UNF	0.276	43500	29200	1.15	
UC211-35	2-3/16	3.937	2.189	0.9843	0.874	1.315	0.394	3/8-24UNF	0.276	43500	29200	1.09	
UC212	60	110	65.1	27	25.4	39.7	10	M10x1	7.6	47700	32900	1.54	
UC212-36	2-1/4	4.3307	2.563	1.063	1	1.563	0.394	3/8-24UNF	0.299	47700	32900	1.67	
UC212-37	2-5/16	4.3307	2.563	1.063	1	1.563	0.394	3/8-24UNF	0.299	47700	32900	1.59	
UC212-38	2-3/8	4.3307	2.563	1.063	1	1.563	0.394	3/8-24UNF	0.299	47700	32900	1.52	
UC212-39	2-7/16	4.3307	2.563	1.063	1	1.563	0.394	3/8-24UNF	0.299	47700	32900	1.45	
UC213	65	120	65.1	28	25.4	39.7	10	M10x1	8.5	57500	40000	1.85	
UC213-40	2-1/2	4.3307	2.563	1.1024	1	1.563	0.394	3/8-24UNF	0.335	57500	40000	1.94	
UC213-41	2-9/16	4.3307	2.563	1.1024	1	1.563	0.394	3/8-24UNF	0.335	57500	40000	1.85	
UC214	70	125	74.6	29	30.2	44.4	12	M12x1.5	8.9	60800	45000	2.05	
UC214-42	2-5/8	4.9213	2.937	1.1417	1.189	1.748	0.472	7/16-20UNF	0.35	60800	45000	2.26	
UC214-43	2-11/16	4.9213	2.937	1.1417	1.189	1.748	0.472	7/16-20UNF	0.35	60800	45000	2.16	

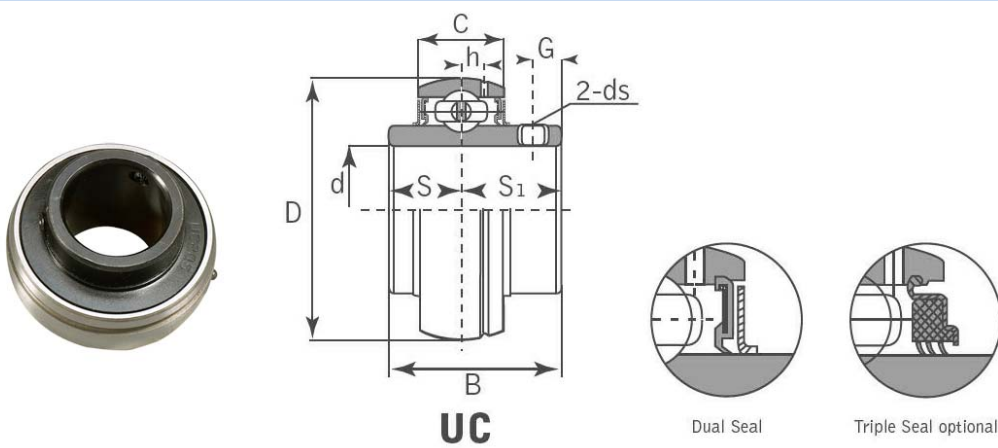




Bearing No.	Dimension (mm)										Load rating (N)		Mass (kg)
	CMB	d	D	B	C	S	S1	G	ds	H	Cr	Cor	
UC214-44		2-3/4	4.9213	2.937	1.1417	1.189	1.748	0.472	7/16-20UNF	0.35	60800	45000	2.06
UC215		75	130	77.8	30	33.3	44.5	12	M12X1.5	9.2	66000	49500	2.21
UC215-45		2-13/16	5.1181	3.063	1.1811	1.311	1.752	0.472	7/16-20UNF	0.362	66000	49500	2.46
UC215-46		2-7/8	5.1181	3.063	1.1811	1.311	1.752	0.472	7/16-20UNF	0.362	66000	49500	2.35
UC215-47		2-15/16	5.1181	3.063	1.1811	1.311	1.752	0.472	7/16-20UNF	0.362	66000	49500	2.24
UC215-48		3	5.1181	3.063	1.1811	1.311	1.752	0.472	7/16-20UNF	0.362	66000	49500	2.12
UC216		80	140	82.6	32	33.3	49.3	12	M12x1.5	9.5	71500	54200	2.8
UC216-49		3-1/16	5.5118	3.252	1.2598	1.311	1.9409	0.472	7/16-20UNF	0.374	71500	54200	2.98
UC216-50		3-1/8	5.5118	3.252	1.2598	1.311	1.9409	0.472	7/16-20UNF	0.374	71500	54200	2.85
UC216-51		3-3/16	5.5118	3.252	1.2598	1.311	1.9409	0.472	7/16-20UNF	0.374	71500	54200	2.72
UC217		85	150	85.7	34	34.1	51.6	12	M12x1.5	10.2	83500	64000	3.46
UC217-52		3-1/4	5.9055	3.374	1.3386	1.343	2.031	0.472	7/16-20UNF	0.402	83500	64000	3.68
UC217-53		3-5/16	5.9055	3.374	1.3386	1.343	2.031	0.472	7/16-20UNF	0.402	83500	64000	3.54
UC217-55		3-7/16	5.9055	3.374	1.3386	1.343	2.031	0.472	7/16-20UNF	0.402	83500	64000	3.25
UC218		90	160	96	36	39.7	56.3	12	M12x1.5	11.2	96000	71500	4.36
UC218-56		3-1/2	6.2992	3.7795	1.4173	1.563	2.217	0.472	1/2-20UNF	0.441	96000	71500	4.47

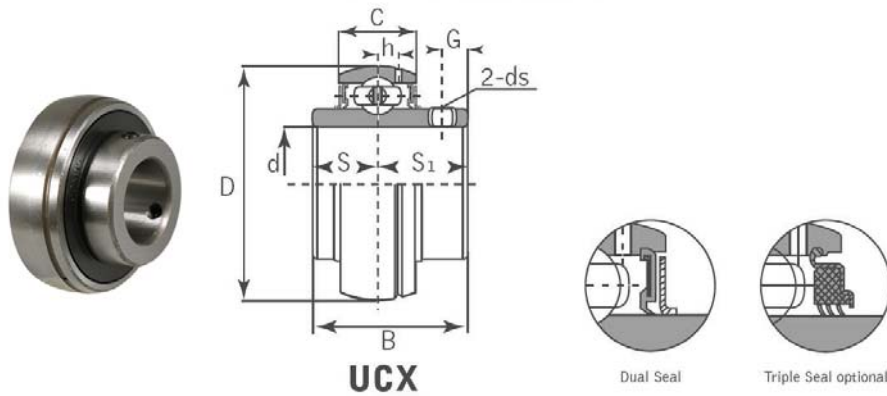
UC300													
Bearing No.	Dimension (mm)										Load rating (N)		Mass (kg)
	CMB	d	D	B	C	S	S1	G	ds	H	Cr	Cor	
UC305		25	62	38	20	15	23	6	M6x1	5.4	22400	11500	0.35
UC305-13		13/16	2.4409	1.4961	0.7874	0.591	0.906	0.236	1/4-28UNF	0.213	22400	11500	0.4
UC305-14		7/8	2.4409	1.4961	0.7874	0.591	0.906	0.236	1/4-28UNF	0.213	22400	11500	0.38
UC305-15		15/16	2.4409	1.4961	0.7874	0.591	0.906	0.236	1/4-28UNF	0.213	22400	11500	0.36
UC305-16		1	2.4409	1.4961	0.7874	0.591	0.906	0.236	1/4-28UNF	0.213	22400	11500	0.35
UC306		30	72	43	23	17	26	6	M6X1	5.7	26700	15000	0.56
UC306-17		1/16	2.8346	1.6929	0.9055	0.669	1.024	0.236	1/4-28UNF	0.225	26700	15000	0.61
UC306-18		1-1/8	2.8346	1.6929	0.9055	0.669	1.024	0.236	1/4-28UNF	0.225	26700	15000	0.58
UC306-19		1-3/16	2.8346	1.6929	0.9055	0.669	1.024	0.236	1/4-28UNF	0.225	26700	15000	0.56
UC307		35	80	48	25	19	29	8	M8X1	6.2	33500	19100	0.71
UC307-20		1-1/4	3.1496	1.8898	0.9843	0.748	1.142	0.315	5/16-24UNF	0.224	33500	19100	0.77
UC307-21		1-5/16	3.1496	1.8898	0.9843	0.748	1.142	0.315	5/16-24UNF	0.224	33500	19100	0.74
UC307-22		1-3/8	3.1496	1.8898	0.9843	0.748	1.142	0.315	5/16-24UNF	0.224	33500	19100	0.71
UC307-23		1-7/16	3.1496	1.8898	0.9843	0.748	1.142	0.315	5/16-24UNF	0.224	33500	19100	0.68
UC308		40	90	52	27	19	33	10	M10X1	7	40500	24000	0.96
UC308-24		1-1/2	3.5433	2.0472	1.063	0.748	1.299	0.394	3/8-24UNF	0.276	40500	24000	1.01
UC308-25		1-9/16	3.5433	2.0472	1.063	0.748	1.299	0.394	3/8-24UNF	0.276	40500	24000	0.97
UC309		45	100	57	30	22	35	10	0.394 M10X1	7.8	52800	31800	1.28
UC309-26		1-5/8	3.937	2.2441	1.1811	0.866	1.378	0.394	3/8-24UNF	0.307	52800	31800	1.39
UC309-27		1-11/16	3.937	2.2441	1.1811	0.866	1.378	0.394	3/8-24UNF	0.307	52800	31800	1.35
UC309-28		1-3/4	3.937	2.2441	1.1811	0.866	1.378	0.394	3/8-24UNF	0.307	52800	31800	1.3
UC310		50	110	61	32	22	39	12	M12X1.5	8.5	61800	37900	1.65
UC310-29		1-13/16	4.3307	2.4016	1.2598	0.866	1.535	0.472	1/2-20UNF	0.335	61800	37900	1.97
UC310-30		1-7/8	4.3307	2.4016	1.2598	0.866	1.535	0.472	1/2-20UNF	0.335	61800	37900	1.74
UC310-31		1-15/16	4.3307	2.4016	1.2598	0.866	1.535	0.472	1/2-20UNF	0.335	61800	37900	1.68
UC311		55	120	66	34	25	41	12	M12X1.5	9.2	71500	44700	2.07
UC311-32		2	4.7244	2.5984	1.3386	0.984	1.614	0.472	1/2-20UNF	0.362	71500	44700	2.25
UC311-33		2-1/16	4.7244	2.5984	1.3386	0.984	1.614	0.472	1/2-20UNF	0.362	71500	44700	2.18
UC311-34		2-1/8	4.7244	2.5984	1.3386	0.984	1.614	0.472	1/2-20UNF	0.362	71500	44700	2.12
UC311-35		2-3/16	4.7244	2.5984	1.3386	0.984	1.614	0.472	1/2-20UNF	0.362	71500	44700	2.04
UC312		60	130	71	36	26	45	12	M12X1.5	9.8	81700	51800	2.6
UC312-36		2-1/4	5.1181	2.7953	1.4173	1.0236	1.772	0.472	1/2-20UNF	0.386	81700	51800	2.75





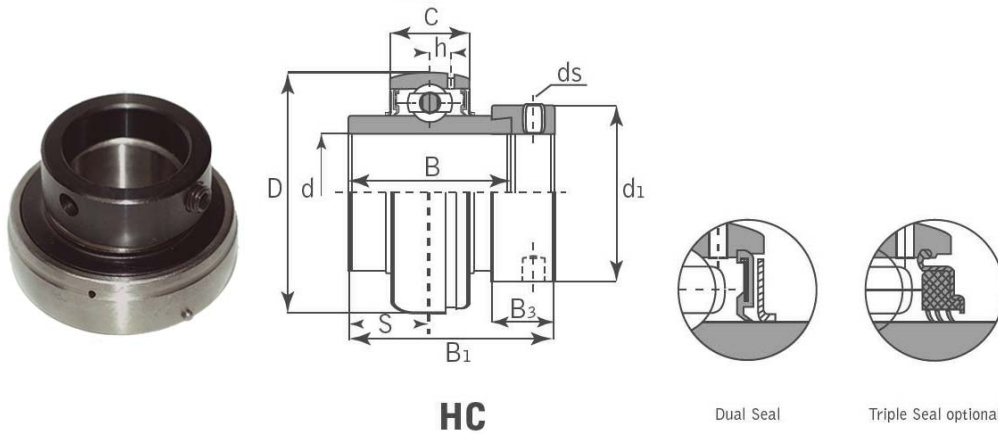
Bearing No.	Dimension (mm)									Load rating (N)		Mass (kg)
	CMB	d	D	B	C	S	S1	G	ds	H	Cr	
UC312-37	2-5/16	5.1181	2.7953	1.4173	1.0236	1.772	0.472	1/2-20UNF	0.386	81700	51800	2.67
UC312-38	2-3/8	5.1181	2.7953	1.4173	1.0236	1.772	0.472	1/2-20UNF	0.386	81700	51800	2.58
UC312-39	2-7/16	5.1181	2.7953	1.4173	1.0236	1.772	0.472	1/2-20UNF	0.386	81700	51800	2.5
UC313	65	140	75	38	30	45	12	M12X1.5	10.5	92500	60000	3.25
UC313-40	2-1/2	5.5118	2.9528	1.4961	1.181	1.772	0.472	1/2-20UNF	0.413	92500	60000	3.34
UC313-41	2-9/16	5.5118	2.9528	1.4961	1.181	1.772	0.472	1/2-20UNF	0.413	92500	60000	3.24
UC314	70	150	78	40	33	45	12	M12X1.5	11.1	104500	68000	3.89
UC314-42	2-5/8	5.9055	3.0708	1.5748	1.299	1.772	0.472	1/2-20UNF	0.437	104500	68000	4.11
UC314-43	2-11/16	5.9055	3.0708	1.5748	1.299	1.772	0.472	1/2-20UNF	0.437	104500	68000	4
UC314-44	2-3/4	5.9055	3.0708	1.5748	1.299	1.772	0.472	1/2-20UNF	0.437	104500	68000	3.9
UC315	75	160	82	42	32	50	14	M14X1.5	11.8	113000	77000	4.72
UC315-45	2-13/16	6.2992	3.2283	1.6535	1.26	1.969	0.551	9/16-18UNF	0.465	113000	77000	4.99
UC315-46	2-7/8	6.2992	3.2283	1.6535	1.26	1.969	0.551	9/16-18UNF	0.465	113000	77000	4.85
UC315-47	2-15/16	6.2992	3.2283	1.6535	1.26	1.969	0.551	9/16-18UNF	0.465	113000	77000	4.76
UC315-48	3	6.2992	3.2283	1.6535	1.26	1.969	0.551	9/16-18UNF	0.465	113000	77000	4.63
UC316	80	170	86	44	34	52	14	M14X1.5	12.5	123000	86500	5.55
UC316-49	3-1/16	6.6929	3.3858	1.7323	1.339	2.047	0.551	9/16-18UNF	0.492	123000	86500	5.72
UC316-50	3-1/8	6.6929	3.3858	1.7323	1.339	2.047	0.551	9/16-18UNF	0.492	123000	86500	5.58
UC316-51	3-3/16	6.6929	3.3858	1.7323	1.339	2.047	0.551	9/16-18UNF	0.492	123000	86500	5.49
UC317	85	180	96	46	40	56	16	M16X1.5	13.1	132600	96500	6.67
UC317-52	3-1/4	7.0866	3.7795	1.811	1.575	2.205	0.63	5/8-18UNF	0.516	132600	96500	6.89
UC317-53	3-5/16	7.0866	3.7795	1.811	1.575	2.205	0.63	5/8-18UNF	0.516	132600	96500	6.76
UC317-55	3-7/16	7.0866	3.7795	1.811	1.575	2.205	0.63	5/8-18UNF	0.516	132600	96500	6.44
UC318	90	190	96	48	40	56	16	M16X1.5	13.8	144000	108000	7.56
UC318-55	3-7/16	7.4803	3.7795	1.8898	1.575	2.205	0.63	5/8-18UNF	0.543	144000	108000	7.85
UC318-56	3-1/2	7.4803	3.7795	1.8898	1.575	2.205	0.63	5/8-18UNF	0.543	144000	108000	7.67
UC319	95	200	103	50	41	62	16	M16X1.5	14.7	156600	122000	8.7
UC319-58	3-5/8	7.874	4.0551	1.9685	1.614	2.441	0.63	5/8-18UNF	0.579	156600	122000	9.03
UC319-59	3-11/16	7.874	4.0551	1.9685	1.614	2.441	0.63	5/8-18UNF	0.579	156600	122000	8.85
UC319-60	3-3/4	7.874	4.0551	1.9685	1.614	2.441	0.63	5/8-18UNF	0.579	156600	122000	8.66
UC320	100	215	108	54	42	66	18	M18X1.5	15.7	173000	141000	11.2
UC320-64	4	8.4646	4.252	2.126	1.6535	2.5984	0.7087	M18X1.5	0.618	173000	141000	11
UC322	110	240	117	60	46	71	18	M18X1.5	17.7	205000	179000	15.1
UC324	120	260	126	64	51	75	18	M18x1.5	19	227000	207000	19
UC326	130	280	135	68	54	81	20	M20x1.5	20	253000	241000	23.6
UC328	140	300	145	72	59	86	20	M20x1.5	22	274000	272000	29.4





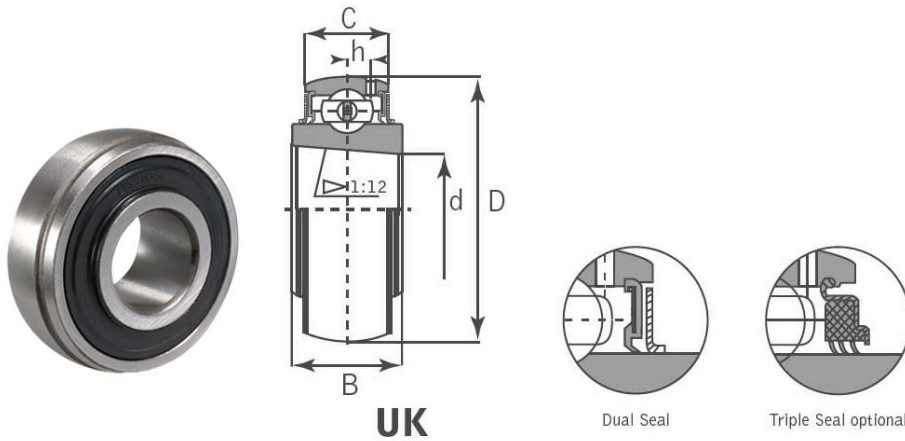
UCX	Bearing No.	Dimension (mm)								Load rating (N)		Mass (kg)	
		CMB	d	D	B	C	S	S1	G	ds	F		Cr
UCX05		25	62	38.1	19	15.9	22.2	5	M6x1	5	19500	11300	0.39
UCX05-13		13/16	2.44	1.5	0.75	0.63	0.87	0.2	1/4-28UNF	0.2	19500	11300	0.39
UCX05-14		7/8	2.44	1.5	0.75	0.63	0.87	0.2	1/4-28UNF	0.2	19500	11300	0.39
UCX05-15		15/16	2.44	1.5	0.75	0.63	0.87	0.2	1/4-28UNF	0.2	19500	11300	0.39
UCX05-16		1	2.44	1.5	0.75	0.63	0.87	0.2	1/4-28UNF	0.2	19500	11300	0.39
UCX06		30	72	42.9	20	17.5	25.4	7	M8x1	5.7	25700	15300	0.68
UCX06-17		1-1/16	2.83	1.6890	0.79	0.689	1	0.276	5/16-24UNF	0.22	25700	15300	0.68
UCX06-18		1-1/8	2.83	1.6890	0.79	0.689	1	0.276	5/16-24UNF	0.22	25700	15300	0.68
UCX06-19		1-3/16	2.83	1.6890	0.79	0.689	1	0.276	5/16-24UNF	0.22	25700	15300	0.68
UCX07		35	80	49.2	21	19	30.2	8	M8x1	6.2	29500	18100	0.82
UCX07-21		1-5/16	3.1496	1.94	0.83	0.748	1.189	0.32	5/16-24UNF	0.244	29500	18100	0.82
UCX07-22		1-3/8	3.1496	1.94	0.83	0.748	1.189	0.32	5/16-24UNF	0.244	29500	18100	0.82
UCX07-23		1-7/16	3.1496	1.94	0.83	0.748	1.189	0.32	5/16-24UNF	0.244	29500	18100	0.82
UCX08		40	85	49.2	22	19	30.2	8	M8x1	6.4	31600	20600	0.93
UCX08-24		1-1/2	3.35	1.9370	0.87	0.75	1.19	0.315	5/16-24UNF	0.25	31600	20600	0.93
UCX08-25		1-9/16	3.35	1.9370	0.87	0.75	1.19	0.315	5/16-24UNF	0.25	31600	20600	0.93
UCX09		45	90	51.6	24	19	32.6	10	M10x1	6.5	35000	23200	1
UCX09-26		1-5/8	3.54	2.03	0.94	0.75	1.28	0.39	3/8-24UNF	0.256	35000	23200	1
UCX09-27		1-11/16	3.54	2.03	0.94	0.75	1.28	0.39	3/8-24UNF	0.256	35000	23200	1
UCX09-28		1-3/4	3.54	2.03	0.94	0.75	1.28	0.39	3/8-24UNF	0.256	35000	23200	1
UCX10		50	100	55.6	25	22.2	33.4	10	M10x1	7	43500	29200	1.35
UCX10-30		1-7/8	3.94	2.19	0.98	0.87	1.31	0.394	3/8-24UNF	0.28	43500	29200	1.35
UCX10-31		1-15/16	3.94	2.19	0.98	0.87	1.31	0.394	3/8-24UNF	0.28	43500	29200	1.35
UCX11		55	110	65.1	27	25.4	39.7	10	M10x1	7.6	47700	32900	1.9
UCX11-33		2-1/16	4.3307	2.56	1.06	1	1.563	0.39	3/8-24UNF	0.3	47700	32900	1.9
UCX11-34		2-1/8	4.3307	2.56	1.06	1	1.563	0.39	3/8-24UNF	0.3	47700	32900	1.9
UCX11-35		2-3/16	4.3307	2.56	1.06	1	1.563	0.39	3/8-24UNF	0.3	47700	32900	1.9
UCX12		60	120	65.1	28	25.4	39.7	10	M10x1	8.5	57500	40000	2.27
UCX12-38		2-3/8	4.3307	2.56	1.1	1	1.563	0.39	3/8-24UNF	0.335	57500	40000	2.27
UCX12-39		2-7/16	4.3307	2.56	1.1	1	1.563	0.39	3/8-24UNF	0.335	57500	40000	2.27
UCX13		65	125	74.6	29	30.2	44.4	12	M12x1.5	89	60800	45000	2.45
UCX13-40		2-1/2	4.92	2.937	1.14	1.19	1.75	0.47	1/2-20UNF	0.35	60800	45000	2.45
UCX13-41		2-9/16	4.92	2.937	1.14	1.19	1.75	0.47	1/2-20UNF	0.35	60800	45000	2.45
UCX14		70	130	77.8	30	33.3	44.5	12	M12x1.5	92	66000	49500	2.47
UCX14-42		2-3/8	5.12	3.063	1.18	1.31	1.752	0.47	1/2-20UNF	0.36	66000	49500	2.47
UCX14-13		2-11/16	5.12	3.063	1.18	1.31	1.752	0.47	1/2-20UNF	0.36	66000	49500	2.47
UCX14-44		2-3/4	5.12	3.063	1.18	1.31	1.752	0.47	1/2-20UNF	0.36	66000	49500	2.47
UCX15		75	140	82.6	32	33.3	49.3	12	M12x1.5	9.5	71500	54200	3.11
UCX1 5-45		2-13/16	5.5118	3.25	1.26	1.31	1.94	0.47	1/2-20UNF	0.37	71500	54200	3.11
UCX15-46		2-7/8	5.5118	3.25	1.26	1.31	1.94	0.47	1/2-20UNF	0.37	71500	54200	3.11
UCX15-47		2-15/16	5.5118	3.25	1.26	1.31	1.94	0.47	1/2-20UNF	0.37	71500	54200	3.11
UCX15-48		3	5.5118	3.25	1.26	1.31	1.94	0.47	1/2-20UNF	0.37	71500	54200	3.11
UCX16		80	150	85.7	34	34.1	51.6	12	M12x1.5	10.2	83500	64600	3.79
UCX16-49		3-1/16	5.91	3.37	1.3386	1.34	2.03	0.472	1/2-20UNF	0.4	83500	64600	3.79
UCX16-50		3-1/8	5.91	3.37	1.3386	1.34	2.03	0.472	1/2-20UNF	0.4	83500	64600	3.79
UCX16-51		3-3/16	5.91	3.37	1.3386	1.34	2.03	0.472	1/2-20UNF	0.4	83500	64600	3.79
UCX17		85	160	96	36	39.7	56.3	12	M12x1.5	11.2	96000	71500	4.82
UCX17-53		3-5/16	6.2992	3.7795	1.42	1.563	2.22	0.47	1/2-20UNF	0.44	96000	71500	4.82
UCX17-55		3-7/16	6.2992	3.7795	1.42	1.563	2.22	0.47	1/2-20UNF	0.44	96000	71500	4.82
UCX18		90	170	104	39	42.9	61.1	16	M14x1.5	12.5	109000	82000	5.51
UCX18-56		3-1/2	6.6929	4.0945	1.5354	1.689	2.406	0.63	9/16-18UNF	0.492	109000	82000	5.63
UCX20		100	190	117.5	43	49.2	68.3	18	M16x1.5	13.7	133000	105000	8.56
UCX20-64		3-1/2	6.6929	4.0945	1.5354	1.689	2.689	0.63	5/8-18UNF	0.539	133000	105000	8.33





HC200														
Bearing No. CMB	Dimension (mm)											Load rating (N)		Mass (kg)
	d	D	d1	B	B1	B3	C	S1	ds	ds	h	Cr	Cor	
HC201	12	47	33.3	34.2	43.7	13.5	17	17.1	M6x1	4.8	3.7	12800	6650	0.29
HC201-8	1/2	1.8504	1.311	1.3465	1.72	0.531	0.6693	0.673	1/4-28UNF	0.189	0.146	12800	6650	0.29
HC202	15	47	33.3	34.2	43.7	13.5	17	17.1	M6x1	4.8	3.7	12800	6650	0.27
HC202-9	9/16	1.8504	1.311	1.3465	1.72	0.531	0.6693	0.673	1/4-28UNF	0.189	0.146	12800	6650	0.26
HC202-10	5/8	1.8504	1.311	1.3465	1.72	0.531	0.6693	0.673	1/4-28UNF	0.189	0.146	12800	6650	0.26
HC203	17	47	33.3	34.2	43.7	13.5	17	17.1	M6x1	4.8	3.7	12800	6650	0.25
HC203-11	11/16	1.8504	1.311	1.3465	1.72	0.531	0.6693	0.673	1/4-28UNF	0.189	0.146	12800	6650	0.25
HC204	20	47	33.3	34.2	43.7	13.5	17	17.1	M6x1	4.8	3.7	12800	6650	0.23
HC204-12	3/4	1.8504	1.311	1.3465	1.72	0.531	0.6693	0.673	1/4-28UNF	0.189	0.146	12800	6650	0.23
HC205	25	52	38.1	34.9	44.4	13.5	17	17.5	M6 x1	4.8	3.9	14000	7850	0.27
HC205-13	13/16	2.0472	1.5	1.374	1.748	0.531	0.6693	0.689	1/4 -28UNF	0.189	0.154	14000	7850	0.32
HC205-14	7/8	2.0472	1.5	1.374	1.748	0.531	0.6693	0.689	1/4 -28UNF	0.189	0.154	14000	7850	0.31
HC205-15	15/16	2.0472	1.5	1.374	1.748	0.531	0.6693	0.689	1/4 -28UNF	0.189	0.154	14000	7850	0.29
HC205-16	1	2.0472	1.5	1.374	1.748	0.531	0.6693	0.689	1/4 -28UNF	0.189	0.154	14000	7850	0.27
HC206	30	62	44.5	36.5	48.4	15.9	19	18.3	M8 x1	6	5	19510	11300	0.45
HC206-17	1-1/16	2.4409	1.752	1.437	1.906	0.626	0.748	0.72	5/16-24UNF	0.236	0.197	19510	11300	0.5
HC206-18	1-1/8	2.4409	1.752	1.437	1.906	0.626	0.748	0.72	5/16-24UNF	0.236	0.197	19510	11300	0.47
HC206-19	1-3/16	2.4409	1.752	1.437	1.906	0.626	0.748	0.72	5/16-24UNF	0.236	0.197	19510	11300	0.45
HC206-20	1-1/4	2.4409	1.752	1.437	1.906	0.626	0.748	0.72	5/16-24UNF	0.236	0.197	19510	11300	0.42
HC207	35	72	55.6	37.6	51.1	17.5	20	18.8	M8 x1	6.8	5.7	25700	15300	0.6
HC207-20	1-1/4	2.8346	2.189	1.4803	2.012	0.689	0.7874	0.74	5/16-24UNF	0.268	0.224	25700	15300	0.67
HC207-21	1-5/16	2.8346	2.189	1.4803	2.012	0.689	0.7874	0.74	5/16-24UNF	0.268	0.224	25700	15300	0.63
HC207-22	1-3/8	2.8346	2.189	1.4803	2.012	0.689	0.7874	0.74	5/16-24UNF	0.268	0.224	25700	15300	0.6
HC207-23	1-7/16	2.8346	2.189	1.4803	2.012	0.689	0.7874	0.74	5/16-24UNF	0.268	0.224	25700	15300	0.57
HC208	40	80	60.3	42.8	56.3	18.3	21	21.4	M8 x 1	6.8	6.2	29500	18100	0.79
HC208-24	1-1/2	3.1496	2.374	1.685	2.217	0.72	0.8268	0.843	5/16-24UNF	0.268	0.244	29500	18100	0.84
HC208-25	1-9/16	3.1496	2.374	1.685	2.217	0.72	0.8268	0.843	5/16-24UNF	0.268	0.244	29500	18100	0.8
HC209	45	85	63.5	42.8	56.3	18.3	22	21.4	M8 x1	6.8	6.4	31600	20600	0.85
HC209-26	1-5/8	3.3465	2.5	1.685	2.217	0.72	0.8661	0.843	5/16-24UNF	0.268	0.252	31600	20600	0.96
HC209-27	1-11/16	3.3465	2.5	1.685	2.217	0.72	0.8661	0.843	5/16-24UNF	0.268	0.252	31600	20600	0.91
HC209-28	1-3/4	3.3465	2.5	1.685	2.217	0.72	0.8661	0.843	5/16-24UNF	0.268	0.252	31600	20600	0.87
HC210	50	90	69.9	49.2	62.7	18.3	24	24.6	M8 x 1	6.8	6.5	35000	23200	0.99
HC210-29	1-13/16	3.5433	2.752	1.9370	2.469	0.72	0.9449	0.969	5/16-24UNF	0.268	0.256	35000	23200	1.14
HC210-30	1-7/8	3.5433	2.752	1.9370	2.469	0.72	0.9449	0.969	5/16-24UNF	0.268	0.256	35000	23200	1.08
HC210-31	1-15/16	3.5433	2.752	1.9370	2.469	0.72	0.9449	0.969	5/16-24UNF	0.268	0.256	35000	23200	1.02
HC210-32	2	3.5433	2.752	1.9370	2.469	0.72	0.9449	0.969	5/16-24UNF	0.268	0.256	35000	23200	0.96
HC211	55	100	76.2	55.5	71.4	20.7	25	27.8	M10 x1	8	7	43500	29200	1.32
HC211-32	2	3.937	3	2.185	2.811	0.815	0.9843	1.094	3/8-24UNF	0.315	0.276	43500	29200	1.52
HC211-33	2-1/16	3.937	3	2.185	2.811	0.815	0.9843	1.094	3/8-24UNF	0.315	0.276	43500	29200	1.44
HC211-34	2-1/8	3.937	3	2.185	2.811	0.815	0.9843	1.094	3/8-24UNF	0.315	0.276	43500	29200	1.37
HC211-35	2-3/16	3.937	3	2.185	2.811	0.815	0.9843	1.094	3/8-24UNF	0.315	0.276	43500	29200	1.29
HC212	60	110	84.2	61.9	77.8	22.3	27	31	M10 x1	8	7.6	47700	32900	1.88
HC212-36	2-1/4	4.3307	3.315	2.437	3.063	0.878	1.063	1.22	3/8-24UNF	0.315	0.299	47700	32900	2.04
HC212-37	2-5/16	4.3307	3.315	2.437	3.063	0.878	1.063	1.22	3/8-24UNF	0.315	0.299	47700	32900	1.95
HC212-38	2-3/8	4.3307	3.315	2.437	3.063	0.878	1.063	1.22	3/8-24UNF	0.315	0.299	47700	32900	1.9
HC212-39	2-7/16	4.3307	3.315	2.437	3.063	0.878	1.063	1.22	3/8-24UNF	0.315	0.299	47700	32900	1.77
HC213	65	120	86	68.6	85.7	23.5	28	34.1	M10 x1	8.5	8.5	57500	40000	2.41
HC213-40	2-1/2	4.7244	3.386	2.7008	3.374	0.925	1.1024	1.343	3/8-24UNF	0.335	0.335	57500	40000	2.51
HC213-41	2-9/16	4.7244	3.386	2.7008	3.374	0.925	1.1024	1.343	3/8-24UNF	0.335	0.335	57500	40000	2.4
HC214	70	125	90	68.6	85.7	23.5	29	34.1	M10 x1	8.5	8.9	60800	45000	2.55
HC214-42	2-3/8	4.9213	3.543	2.7008	3.374	0.925	1.1417	1.343	3/8-24UNF	0.335	0.35	60800	45000	2.79
HC214-43	2-11/16	4.9213	3.543	2.7008	3.374	0.925	1.1417	1.343	3/8-24UNF	0.335	0.35	60800	45000	2.68
HC214-44	2-3/4	4.9213	3.543	2.7008	3.374	0.925	1.1417	1.343	3/8-24UNF	0.335	0.35	60800	45000	2.56

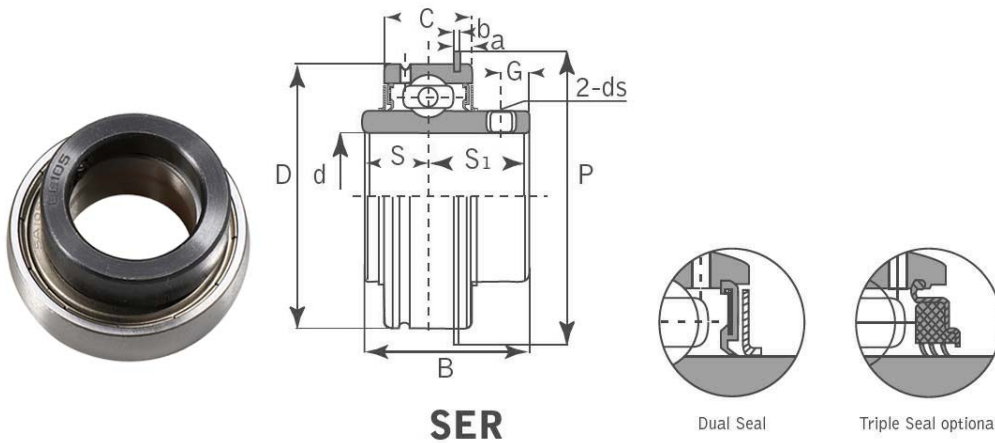




UK200+H UK300+H

Bearing No.	Dimension(mm)								Load rating (KN)		Limit speed	Mass	
	CMB	d0	d	D	D1	B3	B	B2	C	Cr	Cor	r/min	(g)
UK205+H2305		20	25	52	38	35	26	8	17	10.78	6.98	3400	0.25
UK206+H2306		25	30	62	45	38	28	8	19	14.97	10.04	2800	0.36
UK207+H2307		30	35	72	52	43	30	9	20	19.75	13.67	2400	0.57
UK208+H2308		35	40	80	58	46	31	10	21	22.71	15.94	2200	0.74
UK209+H2309		40	45	85	65	50	33	11	22	24.36	17.71	1900	0.83
UK210+H2310		45	50	90	70	55	35	12	24	26.98	19.84	1800	0.97
UK211+H2311		50	55	100	75	59	39	12	25	33.37	25.11	1600	1.26
UK212+H2312		55	60	110	80	62	41	13	27	36.74	27.97	1500	1.59
UK213+H2313		60	65	120	85	65	41.5	14	27	44.01	34.18	1400	2
UK215+H2315		65	75	130	98	73	44	15	30	50.85	41.26	1200	2.56
UK216+H2316		70	80	140	105	78	48	17	33	55.04	45.09	1100	3.23
UK217+H2317		75	85	150	110	82	50	18	36	64.01	53.28	1000	3.93
UK218+H2318		80	90	160	120	86	51	18	37	73.83	60.76	950	4.74
UK305+H2305		20	25	62	38	35	27	8	21	17.22	11.39	2800	0.36
UK306+H2306		25	30	72	45	38	30	8	23	20.77	14.17	2600	0.59
UK307+H2307		30	35	80	52	43	34	9	25	25.66	17.92	2200	0.75
UK308+H2308		35	40	90	58	46	36	10	27	31.35	22.38	2000	1.02
UK309+H2309		40	45	100	65	50	39	11	30	40.66	30	1800	1.38
UK310+H2310		45	50	110	70	55	42	12	32	47.58	35.71	1700	1.68
UK311+H2311		50	55	120	75	59	44	12	34	55.05	41.91	1400	2.06
UK312+H2312		55	60	130	80	62	48	13	36	62.88	48.6	1300	2.53
UK313+H2313		60	65	140	85	65	49	14	38	72.21	56.68	1200	3.08
UK315+H2315		65	75	160	98	73	56	15	42	87.25	71.67	1000	4.84
UK316+H2316		70	80	170	105	78	58	17	44	94.57	80.35	1000	5.75
UK317+H2317		75	85	180	110	82	61	18	46	102.05	89.52	950	6.72
UK318+H2318		80	90	190	120	86	66	18	48	110.81	100.76	900	7.87
UK319+H2319		85	95	200	125	90	67	19	50	120.51	113.75	850	9.02
UK320+H2320		90	100	215	130	97	74	20	54	133.06	131.18	800	11.1
UK322+H2322		100	110	240	145	105	82	21	60	157.66	167.64	700	14.9
UK324+H2324		110	120	260	155	112	86	22	64	175.07	194.42	630	18
UK326+H2326		115	130	280	165	121	90	23	68	194.93	226.71	560	23.3
UK328+H2328		125	140	300	180	131	95	24	73	211.38	253.93	500	28.9





**SER**

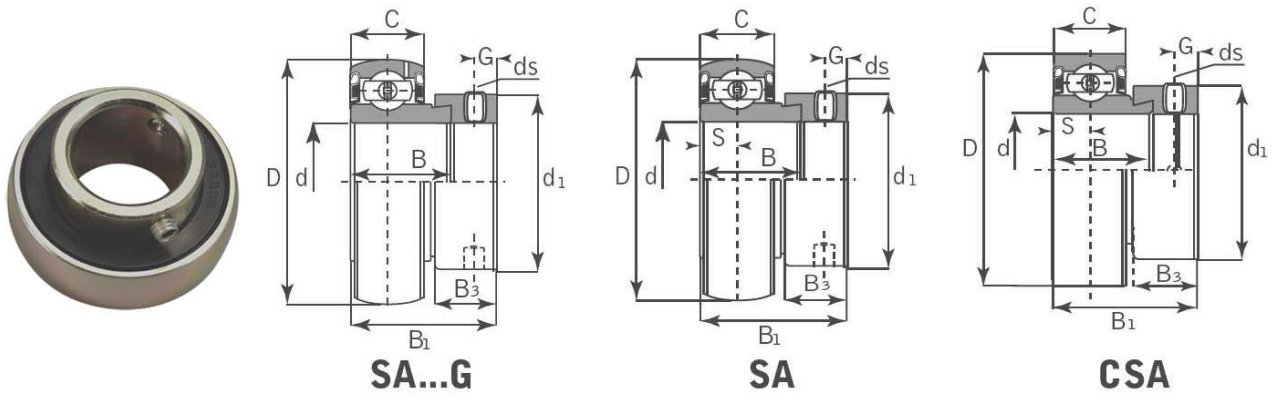
Dual Seal

Triple Seal optional

**SER200**

Bearing No.	Dimension (mm)												Load rating (N)		Mass (kg)	
	CMB	d	D	B	C	S	S1	b	F	a	P	G	ds	Cr		Cor
SER201		12	47	31	15.9	10.3	20.7	1.12	3.8	2.46	52.7	4.8	M6x1	12800	6650	0.22
SER201-8		0.5	1.85	1.22	0.63	0.41	0.81	0.04	0.15	0.1	2.06	0.19	1/4-28UNF	12800	6650	0.22
SER202		15	47	31	15.9	10.3	20.7	1.12	3.8	2.46	52.7	4.8	M6x1	12800	6650	0.22
SER202-10		0.62	1.85	1.22	0.63	0.41	0.81	0.04	0.15	0.1	2.06	0.19	1/4-28UNF	12800	6650	0.22
SER203		17	47	31	15.9	10.3	20.7	1.12	3.8	2.46	52.7	4.8	M6x1	12800	6650	0.22
SER204		20	47	31	15.9	10.3	20.7	1.12	3.8	2.46	52.7	4.8	M6x1	12800	6650	0.21
SER204-12		3/4	1.85	1.22	0.63	0.41	0.81	0.04	0.15	0.1	2.06	0.19	1/4-28UNF	12800	6650	0.21
SER205		25	52	34.9	19	13.1	21.8	1.12	5.2	2.46	57.9	5	M6x1	14000	7850	0.27
SER205-13		13/16	2.05	1.37	0.75	0.52	0.86	0.04	0.2	0.1	2.28	0.197	1/4-28UNF	14000	7850	0.27
SER205-14		7/8	2.05	1.37	0.75	0.52	0.86	0.04	0.2	0.1	2.28	0.197	1/4-28UNF	14000	7850	0.27
SER205-15		15/16	2.05	1.37	0.75	0.52	0.86	0.04	0.2	0.1	2.28	0.197	1/4-28UNF	14000	7850	0.27
SER205-16		1	2.05	1.37	0.75	0.52	0.86	0.04	0.2	0.1	2.28	0.197	1/4-28UNF	14000	7850	0.27
SER206		30	62	38.1	22.2	15.9	22.2	1.7	5.6	3.28	67.7	5	M6x1	19500	11300	0.39
SER206-17		1-1/16	2.44	1.5	0.87	0.63	0.87	0.07	0.22	0.13	2.67	0.2	1/4-28UNF	19500	11300	0.39
SER206-18		1-1/8	2.44	1.5	0.87	0.63	0.87	0.07	0.22	0.13	2.67	0.2	1/4-28UNF	19500	11300	0.39
SER206-19		1-3/16	2.44	1.5	0.87	0.63	0.87	0.07	0.22	0.13	2.67	0.2	1/4-28UNF	19500	11300	0.39
SER206-20		1-1/4	2.44	1.5	0.87	0.63	0.87	0.07	0.22	0.13	2.67	0.2	1/4-28UNF	19500	11300	0.39
SER207		35	72	42.9	23.8	17.5	25.4	1.7	5.6	3.28	78.6	6.7	M8x 1	25700	15300	0.63
SER207-20		1-1/4	2.83	1.69	0.94	0.69	1	0.07	0.22	0.13	3.09	0.26	5/16-24UNF	25700	15300	0.63
SER207-21		1-5/16	2.83	1.69	0.94	0.69	1	0.07	0.22	0.13	3.09	0.26	5/16-24UNF	25700	15300	0.63
SER207-22		1-3/8	2.83	1.69	0.94	0.69	1	0.07	0.22	0.13	3.09	0.26	5/16-24UNF	25700	15300	0.63
SER207-23		1-7/16	2.83	1.69	0.94	0.69	1	0.07	0.22	0.13	3.09	0.26	5/16-24UNF	25700	15300	0.63
SER208		40	80	49.2	27.8	19	30.2	1.7	6.4	3.28	86.6	8	M8x1	29500	18100	0.81
SER208-24		1-1/2	3.15	1.94	1.09	0.75	1.19	0.07	0.25	0.13	3.41	0.32	5/16-24UNF	29500	18100	0.81
SER208-25		1-9/16	3.15	1.94	1.09	0.75	1.19	0.07	0.25	0.13	3.41	0.32	5/16-24UNF	29500	18100	0.81
SER209		45	85	49.2	27.8	19	30.2	1.7	6.4	3.28	91.6	8	M8x1	31600	20600	0.9
SER209-26		1-5/8	3.35	1.94	1.09	0.75	1.19	0.07	0.25	0.13	3.61	0.32	5/16-24UNF	31600	20600	0.9
SER209-27		1-11/16	3.35	1.94	1.09	0.75	1.19	0.07	0.25	0.13	3.61	0.32	5/16-24UNF	31600	20600	0.9
SER209-28		1-3/4	3.35	1.94	1.09	0.75	1.19	0.07	0.25	0.13	3.61	0.32	5/16-24UNF	31600	20600	0.9
SER210		50	90	51.6	28.6	19	32.6	2.46	7.5	3.28	96.5	10	M10x1	35000	23200	0.98
SER210-29		1-13/16	3.54	2.03	1.13	0.75	1.28	0.1	0.29	0.13	3.8	0.39	3/8-24UNF	35000	23200	0.98
SER210-30		1-7/8	3.54	2.03	1.13	0.75	1.28	0.1	0.29	0.13	3.8	0.39	3/8-24UNF	35000	23200	0.98
SER210-31		1-15/16	3.54	2.03	1.13	0.75	1.28	0.1	0.29	0.13	3.8	0.39	3/8-24UNF	35000	23200	0.98
SER210-32		2	3.54	2.03	1.13	0.75	1.28	0.1	0.29	0.13	3.8	0.39	3/8-24UNF	35000	23200	0.98
SER211		55	100	55.6	30.2	22.2	33.4	2.46	7.5	3.28	106.5	10	M10x1	43500	29200	1.4
SER211-32		2	3.94	2.19	1.19	0.87	1.31	0.1	0.29	0.13	4.19	0.39	3/8-24UNF	43500	29200	1.4
SER211-33		2-1/16	3.94	2.19	1.19	0.87	1.31	0.1	0.29	0.13	4.19	0.39	3/8-24UNF	43500	29200	1.4
SER211-34		2-1/8	3.94	2.19	1.19	0.87	1.31	0.1	0.29	0.13	4.19	0.39	3/8-24UNF	43500	29200	1.4
SER211-35		2-3/16	3.94	2.19	1.19	0.87	1.31	0.1	0.29	0.13	4.19	0.39	3/8-24UNF	43500	29200	1.4
SER212		60	110	65.1	31.8	25.4	39.7	2.46	7.5	3.28	116.6	10	M10X1	47700	32900	1.89
SER212-36		2-1/4	4.33	2.56	1.25	1.000	1.56	0.1	0.29	0.13	4.59	0.39	3/8-24UNF	47700	32900	1.89
SER212-37		2-5/16	4.33	2.56	1.25	1.000	1.56	0.1	0.29	0.13	4.59	0.39	3/8-24UNF	47700	32900	1.89
SER212-38		2-3/8	4.33	2.56	1.25	1.000	1.56	0.1	0.29	0.13	4.59	0.39	3/8-24UNF	47700	32900	1.89
SER212-39		2-7/16	4.33	2.56	1.25	1.000	1.56	0.1	0.29	0.13	4.59	0.39	3/8-24UNF	47700	32900	1.89

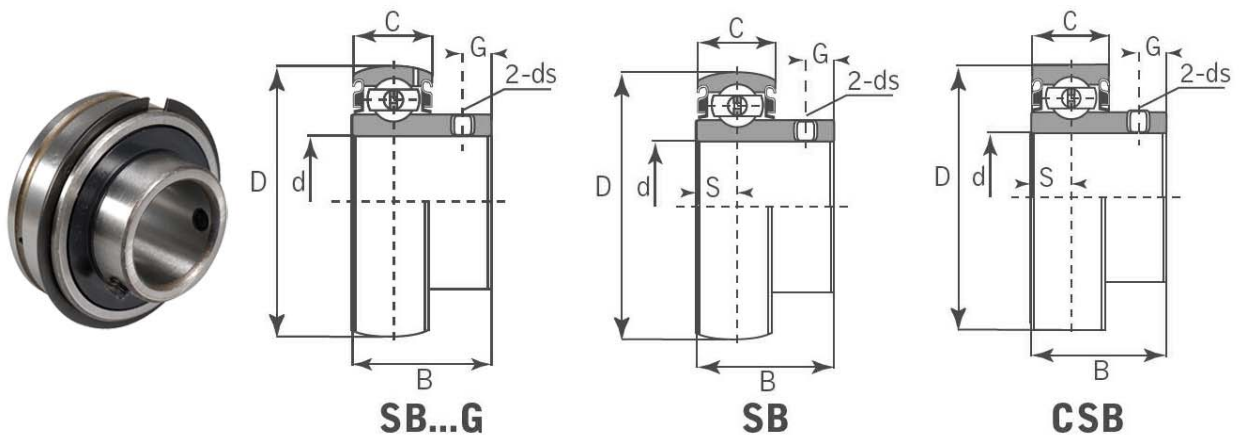




SA,CSA

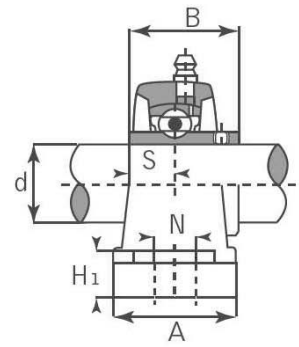
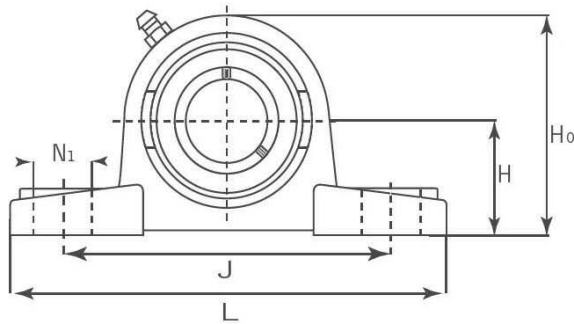
Bearing No.			Dimension(mm)										Load rating(N)		Mass
Spherical	Cylindrical	Re-Lubricate	d(inch)	d(mm)	D	C	B	B1	S	h	B3	d1	Cr	Cor	(g)
SA201	CSA201	SA201G		12	40	12	19.1	28.6	6.5	3.6	13.5	28.6	9550	4780	0.14
SA201-8	CSA201-8	SA201-8G	1/2		40	12	19.1	28.6	6.5	3.6	13.5	28.6	9550	4780	0.14
SA202	CSA202	SA202G		15	40	12	19.1	28.6	6.5	3.6	13.5	28.6	9550	4780	0.13
SA202-10	CSA202-10	SA202-10G	5/8		40	12	19.1	28.6	6.5	3.6	13.5	28.6	9550	4780	0.13
SA203	CSA203	SA203G		17	40	12	19.1	28.6	6.5	3.6	13.5	28.6	9550	4780	0.13
SA203-11	CSA203-11	SA203-11G	11/16		40	12	19.1	28.6	6.5	3.6	13.5	28.6	9550	4780	0.13
SA204-12	CSA204-12	SA204-12G	3/4		47	14	21.4	30.9	7.5	4	13.5	33.3	12800	6650	0.18
SA204	CSA204	SA204G		20	47	14	21.4	30.9	7.5	7	13.5	33.3	12800	6650	0.15
SA205-14	CSA205-14	SA205-14G	7/8		52	15	21.4	30.9	7.5	4.3	13.5	38.1	14000	7880	0.21
SA205-15	CSA205-15	SA205-15G	15/16		52	15	21.4	30.9	7.5	4.3	13.5	38.1	14000	7880	0.19
SA205	CSA205	SA205G		25	52	15	21.4	30.9	7.5	4.3	13.5	38.1	14000	7880	0.19
SA205-16	CSA205-16	SA205-16G	1		52	15	21.4	30.9	7.5	4.3	13.5	38.1	14000	7880	0.18
SA206-18	CSA206-18	SA206-18G	1-1/8		62	16	23.8	35.7	9	5	15.9	44.5	19500	11200	0.35
SA206	CSA206	SA206G		30	62	16	23.8	35.7	9	5	15.9	44.5	19500	11200	0.33
206-19	206-19	206-19G	1-3/16		62	16	23.8	35.7	9	5	15.9	44.5	19500	11200	0.31
SA206-20	CSA206-20	SA206-20G	1-1/4		62	16	23.8	35.7	9	5	15.9	44.5	19500	11200	0.29
SA207-20	CSA207-20	SA207-20G	1-1/4		72	17	25.4	38.9	9.5	5.7	17.5	55.6	25700	15200	0.56
SA207-21	CSA207-21	SA207-21G	1-5/16		72	17	25.4	38.9	9.5	5.7	17.5	55.6	25700	15200	0.53
SA207-22	CSA207-22	SA207-22G	1-3/8		72	17	25.4	38.9	9.5	5.7	17.5	55.6	25700	15200	0.51
SA207	CSA207	SA207G		35	72	17	25.4	38.9	9.5	5.7	17.5	55.6	25700	15200	0.5
SA207-23	CSA207-23	SA207-23G	1-7/16		72	17	25.4	38.9	9.5	5.7	17.5	55.6	25700	15200	0.48
SA208-24	CSA208-24	SA208-24G	1-1/2		80	18	30.2	43.7	11	6.2	18.3	60.3	29600	18200	0.68
SA208-25	CSA208-25	SA208-25G	1-9/16		80	18	30.2	43.7	11	6.2	18.3	60.3	29600	18200	0.67
SA208	CSA208	SA208G		40	80	18	30.2	43.7	11	6.2	18.3	60.3	29600	18200	0.65
SA209-26	CSA209-26	SA209-26G	1-5/8		85	19	30.2	43.7	11	6.5	18.3	63.5	31850	20800	0.76
SA209-27	CSA209-27	SA209-27G	1-11/16		85	19	30.2	43.7	11	6.8	18.3	63.5	31850	20800	0.73
SA209-28	CSA209-28	SA209-28G	1-3/4		85	19	30.2	43.7	11	6.8	18.3	63.5	31850	20800	0.69
SA209	CSA209	SA209G		45	85	19	30.2	43.7	11	6.5	18.3	63.5	31850	20800	0.69
SA210-30	CSA210-30	SA210-30G	1-7/8		90	20	30.2	43.6	11	6.5	18.3	69.9	35100	23200	0.83
SA210-31	CSA210-31	SA210-31G	1-15/16		90	20	30.2	43.6	11	6.5	18.3	69.9	35100	23200	0.79
SA210	CSA210	SA210G		50	90	20	30.2	43.6	11	6.5	18.3	69.9	35100	23200	0.79
SA211-32	CSA211-32	SA211-32G	2		100	24	32.5	48.4	12	7.2	20.7	76.2	43550	29200	1.17
SA211-34	CSA211-34	SA211-34G	2-1/8		100	24	32.5	48.4	12	7.2	20.7	76.2	43550	29200	1.07
SA211	CSA211	SA211G		55	100	24	32.4	48.4	12	7.2	20.7	76.2	43550	29200	1.04
SA211-35	CSA211-35	SA211-35G	2-3/16		100	24	32.4	48.4	12	7.2	20.7	76.2	43550	29200	1.01
SA212-36	CSA212-36	SA212-36G	2-1/4		110	24	33.4	49.3	12	8	22.3	84.2	47800	32800	1.3
SA212	CSA212	SA212G		60	110	24	33.4	49.3	12	8	22.3	84.2	47800	32800	1.2
SA212-38	CSA212-38	SA212-38G	2-3/8		110	24	33.4	49.3	12	8	22.3	84.2	47800	32800	1.09
SA212-39	CSA212-39	SA212-39G	2-7/16		110	24	33.4	49.3	12	8	22.3	84.2	47800	32800	





SB,CSB														
Bearing No.			Dimension(mm)									Load rating(N)		Mass
Spherical	Cylindrical	Re-Lubricate	d(inch)	d(mm)	D	B	C	S	h	G	ds	Cr	Cor	(g)
SB201	CSB201	SB201G		12	40	22	12	6	3.6	4	M5X0.8	9550	4780	0.1
SB201-8	CSB201-8	SB201-8G	1/2		40	22	12	6	3.6	4	10#-32UNF	9550	4780	0.1
SB202	CSB202	SB202G		15	40	22	12	6	3.6	4	M5X0.8	9550	4780	0.1
SB202-10	CSB202-10	SB202-10G	5/8		40	22	12	6	3.6	4	10#-32UNF	9550	4780	0.1
SB203	CSB203	SB203G		17	40	22	12	6	3.6	4	M5X0.8	9550	4780	0.1
SB203-11	CSB203-11	SB203-11G	11/16		40	22	12	6	3.6	4	10#-32UNF	9550	4780	0.1
SB204-12	CSB204-12	SB204-12G	3/4		47	25	14	7	4	5	1/4-28UNF	12800	6650	0.14
SB204	CSB204	SB204G		20	47	25	14	7	4	5	M6X1	12800	6650	0.14
SB205-14	CSB205-14	SB205-14G	7/8		52	27	15	7.5	4.3	5.5	1/4-28UNF	14000	7880	0.17
SB205-15	CSB205-15	SB205-15G	15/16		52	27	15	7.5	4.3	5.5	1/4-28UNF	14000	7800	0.17
SB205	CSB205	SB205G		25	52	27	15	7.5	4.3	5.5	M6X1	14000	7880	0.17
SB205-16	CSB205-16	SB205-16G	1		52	27	15	7.5	4.3	5.5	1/4-28UNF	14000	7880	0.17
SB206-18	CSB206-18	SB206-18G	1-1/8		62	30	16	8	5	6	1/4-28UNF	19500	11200	0.26
SB206	CSB206	SB206G		30	62	30	16	8	5	6	M6X1	19500	11200	0.26
SB206-19	CSB206-19	SB206-19G	1-3/16		62	30	16	8	5	6	1/4-28UNF	19500	11200	0.26
SB206-20	CSB206-20	SB206-20G	1-1/4		62	30	16	8	5	6	1/4-28UNF	19500	11200	0.26
SB207-20	CSB207-20	SB207-20G	1-1/4		72	32	17	8.5	5.7	6.5	1/4-28UNF	25700	15200	0.39
SB207-21	CSB207-21	SB207-21G	1-5/16		72	32	17	8.5	5.7	6.5	1/4-28UNF	25700	15200	0.39
SB207-22	CSB207-22	SB207-22G	1-3/8		72	32	17	8.5	5.7	6.5	1/4-28UNF	25700	15200	0.39
SB207	CSB207	SB207G		35	72	32	17	8.5	5.7	6.5	M6X1	25700	15200	0.39
SB207-23	CSB207-23	SB207-23G	1-7/16		72	32	17	8.5	5.7	6.5	1/4-28UNF	25700	15200	0.39
SB208-24	CSB208-24	SB208-24G	1-1/2		80	34	18	9	6.2	7	5/16-24UNF	29600	18200	0.54
SB208-25	CSB208-25	SB208-25G	1-9/16		80	34	18	9	6.2	7	5/16-24UNF	29600	18200	0.54
SB208	CSB208	SB208G		40	80	34	18	9	6.2	7	M8X1	29600	18200	0.54
SB209-26	CSB209-26	SB209-26G	1-5/8		85	41.2	19	10.2	6.5	8.2	5/16-24UNF	31850	20800	0.68
SB209-27	CSB209-27	SB209-27G	1-11/16		85	41.2	19	10.2	6.5	8.2	5/16-24UNF	31850	20800	0.68
SB209-28	CSB209-28	SB209-28G	1-3/4		85	41.2	19	10.2	6.5	8.2	5/16-24UNF	31850	20800	0.68
SB209	CSB209	SB209G		45	85	41.2	19	10.2	6.5	8.2	M8X1	31850	20800	0.68
SB210-30	CSB210-30	SB210-30G	1-7/8		90	43.5	20	10.9	6.5	9.2	5/16-24UNF	35100	23200	0.8
SB210-31	CSB210-31	SB210-31G	1-15/16		90	43.5	20	10.9	6.5	9.2	5/16-24UNF	35100	23200	0.8
SB210	CSB210	SB210G		50	90	43.5	20	10.9	6.5	9.2	M8X1	35100	23200	0.8
SB211-32	CSB211-32	SB211-32G	2		100	45.3	23	11.8	7.2	9.8	5/16-24UNF	43550	29200	1
SB211-34	CSB211-34	SB211-34G	2-1/8		100	45.3	23	11.8	7.2	9.8	5/16-24UNF	43550	29200	1
SB211	CSB211	SB211G		55	100	45.3	23	11.8	7.2	9.8	M8X1	43550	29200	1
SB211-35	CSB211-35	SB211-35G	2-3/16		100	45.3	23	11.8	7.2	9.8	5/16-24UNF	43550	29200	1
SB212-36	CSB212-36	SB212-36G	2-1/4		110	53.7	24	14.9	8	9.8	3/8-24UNF	47800	32800	1.3
SB212	CSB212	SB212G		60	110	53.7	24	14.9	8	9.8	M10X1.25	47800	32800	1.3
SB212-39	CSB212-39	SB212-39G	2-7/16		110	53.7	24	14.9	8	9.8	3/8-24UNF	47800	32800	1.3



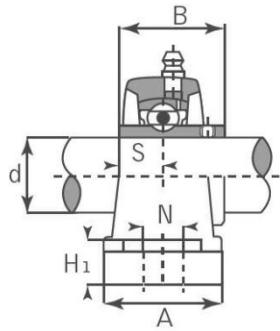
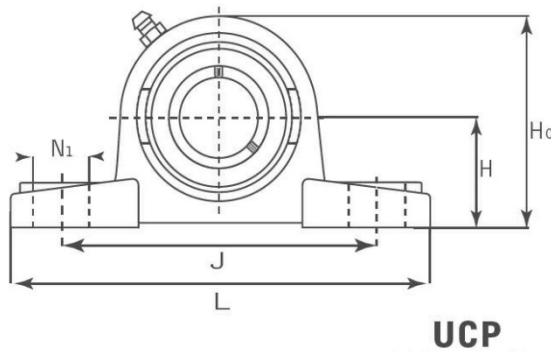


**UCP**

**UCP200**

Part No.	Dimension(mm)												Bearing No.	Housing No.	Mass (kg)
	CMB	d	h	a	e	b	S1	S2	g	w	b	n			
UCP201	12	30.2	127	95	38	13	19	14	62	31	12.7	M10	UC201	P203	0.69
UCP201-8	1/2	1-3/16	5	3-3/4	1-1/2	1/2	3/4	9/16	2-7/16	1.2205	0.500	3/8	UC201-8	P203	0.69
UCP202	15	30.2	127	95	38	13	19	14	62	31	12.7	M10	UC202	P203	0.69
UCP202-9	9/16	1-3/16	5	3-3/4	1-1/2	1/2	3/4	9/16	2-7/16	1.2205	0.500	3/8	UC202-9	P203	0.69
UCP202-10	5/8	1-3/16	5	3-3/4	1-1/2	1/2	3/4	9/16	2-7/16	1.2205	0.500	3/8	UC202-10	P203	0.69
UCP203	17	30.2	127	95	38	13	19	14	62	31	12.7	M10	UC203	P203	0.68
UCP203-11	11/16	1-3/16	5	3-3/4	1-1/2	1/2	3/4	9/16	2-7/16	1.2205	0.500	3/8	UC203-11	P203	0.67
UCP204	20	33.3	127	95	38	13	19	14	65	31	12.7	M10	UC204	P204	0.66
UCP204-12	3/4	1-5/16	5	3-3/4	1-1/2	1/2	3/4	9/16	2-9/16	1.2205	0.500	3/8	UC204-12	P204	0.66
UCP205	25	36.5	140	105	38	13	19	15	71	34.1	14.3	M10	UC205	P205	0.81
UCP205-13	13/16	1-7/16	5-1/2	4-1/8	1-1/2	1/2	3/4	19/32	2-25/32	1.3425	0.563	3/8	UC205-13	P205	0.85
UCP205-14	7/8	1-7/16	5-1/2	4-1/8	1-1/2	1/2	3/4	19/32	2-25/32	1.3425	0.563	3/8	UC205-14	P205	0.83
UCP205-15	15/16												UC205-15	P205	0.82
UCP205-16	1												UC205-16	P205	0.81
UCP206	30	42.9	165	121	48	17	20	17	84	38.1	15.9	M14	UC206	P206	1.24
UCP206-17	1-1/16	1-11/16	6-1/2	4-3/4	1-7/8	43/64	25/32	21/32	3-5/16	1.5	0.626	1/2	UC206-17	P206	1.27
UCP206-18	1-1/8												UC206-18	P206	1.26
UCP206-19	1-3/16												UC206-19	P206	1.24
UCP206-20	1-1/4												UC206-20	P206	1.23
UCP207	35	47.6	167	127	48	17	20	18	93	42.9	17.5	M14	UC207	P207	1.58
UCP207-20	1-1/4	1-7/8	6-9/16	5	1-7/8	43/64	25/32	45/64	3-21/32	1.689	0.689	1/2	UC207-20	P207	1.64
UCP207-21	1-5/16												UC207-21	P207	1.61
UCP207-22	1-3/8												UC207-22	P207	1.58
UCP207-23	1-7/16												UC207-23	P207	1.55
UCP208	40	49.2	184	137	54	17	20	18	100	49.2	19	M14	UC208	P208	1.89
UCP208-24	1-1/2	1-15/16	7-1/4	5-13/32	2-1/8	43/64	25/32	45/64	3-15/16	1.937	0.748	1/2	UC208-24	P208	1.93
UCP208-25	1-9/16												UC208-25	P208	1.9
UCP209	45	54.0	190	146	54	17	20	20	106	49.2	19	M14	UC209	P209	2.14
UCP209-26	1-5/8	2-1/8	7-15/32	5-3/4	2-1/8	43/64	25/32	25/32	4-11/64	1.937	0.748	1/2	UC209-26	P209	2.24
UCP209-27	1-11/16												UC209-27	P209	2.2
UCP209-28	1-3/4												UC209-28	P209	2.14
UCP210	50	57.2	206	159	60	20	23	21	113	51.6	19	M16	UC210	P210	2.66
UCP210-29	1-13/16	2-1/4	8-1/8	6-1/4	2-3/8	25/32	29/32	53/64	4-29/64	2.0315	0.748	5/8	UC210-29	P210	2.78
UCP210-30	1-7/8												UC210-30	P210	2.73
UCP210-31	1-15/16												UC210-31	P210	2.68
UCP210-32	2												UC210-32	P210	2.64
UCP211	55	63.5	219	171	60	20	23	23	125	55.6	22.2	M16	UC211	P211	3.31
UCP211-32	2	2-1/2	8-5/8	6-47/64	2-3/8	25/32	29/32	29/32	4-59/64	2.189	0.874	5/8	UC211-32	P211	3.46
UCP211-33	2-1/16												UC211-33	P211	3.4
UCP211-34	2-1/8												UC211-34	P211	3.35
UCP211-35	2-3/16												UC211-35	P211	3.29
UCP212	60	69.8	241	184	70	20	23	25	138	65.1	25.4	M16	UC212	P212	4.9
UCP212-36	2-1/4	2-3/4	9-1/2	7-1/4	2-3/4	25/32	29/32	63/64	5-7/16	2.563	1.000	5/8	UC212-36	P212	5.03
UCP212-37	2-5/16												UC212-37	P212	4.95
UCP212-38	2-3/8												UC212-38	P212	4.88
UCP212-39	2-7/16												UC212-39	P212	1.81
UCP213	65	76.2	265	204	70	25	28	27	150	65.1	25.4	M20	UC213	P213	5.15
UCP213-40	2-1/2	3	10-7/16	3	2-3/4	63/64	1-3/32	1-1/16	5-29/32	2.563	1.000	3/4	UC213-40	P213-40	5.24
UCP213-41	2-9/16												UC213-41	P213-40	5.15



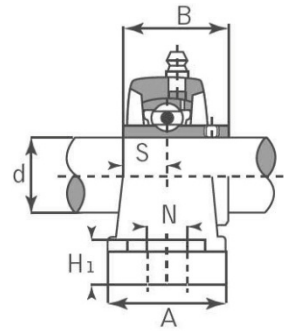
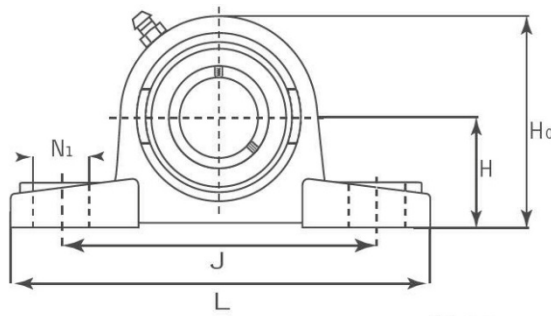


Part No.	Dimension(mm)												Bearing	Housing	Mass
CMB	d	h	a	e	b	S1	S2	g	w	b	n	Bolt	No.	No.	(kg)
UCP214	70	79.4	266	210	72	25	28	27	156	74.6	30.2	M20	UC214	P213-40	6.2
UCP214-42	2-5/8	3-1/8	10-15/32	8-17/64	2-27/32	63/64	1-3/32	1-1/16	6-9/64	2.937	1.189	3/4	UC214-42	P213-40	6.41
UCP214-43	2-11/16												UC214-43	P213-40	6.31
UCP214-44	2-3/4												UC214-44	P213-40	6.21
UCP215	75	82.6	275	217	74	25	28	28	162	77.8	33.3	M20	UC215	P215	7.16
UCP215-45	2-13/16	3-1/4	10-53/64	8-35/64	2-29/32	63/64	1-3/32	1-3/32	6-3/8	3.063	1.311	3/4	UC215-45	P215	7.41
UCP215-46	2-7/8												UC215-46	P215	7.3
UCP215-47	2-15/16												UC215-47	P215	7.19
UCP215-48	3												UC215-48	P215	7.07
UCP216	80	88.9	292	232	78	25	28	30	174	82.6	65.1	M20	UC216	P216	8.1
UCP216-49	3-1/16	3-1/2	11-1/2	9-1/8	3-1/16	63/64	1-3/32	1-3/16	6-27/32	3.252	2.563	3/4	UC216-49	P216	8.28
UCP216-50	3-1/8												UC216-50	P216	8.15
UCP216-51	3-3/16												UC216-51	P216	8.02
UCP217	85	95.2	310	247	83	25	28	32	185	85.7	34.1	M20	UC217	P217	9.81
UCP217-52	3-1/14	3-3/4	12-13/64	9-23/32	3-17/64	63/64	1-3/32	1-1/4	7-9/32	3.374	1.343	3/4	UC217-52	P217	10.03
UCP217-53	3-5/16												UC217-53	P217	9.89
UCP217-55	3-7/16												UC217-55	P217	9.6
UCP218	90	101.6	327	262	88	27	30	33	198	96	39.7	M20	UC218	P218	11.96
UCP218-56	3-1/2	4	12-7/8	10-5/16	3-15/32	1-1/16	1-3/16	1-19/64	7-51/64	3.7795	1.563	3/4	UC218-56	P218	12.07

**Pillow block- UCP300**

Part No.	Dimension(mm)												Bearing	Housing	Mass
CMB	d	h	a	e	b	S1	S2	g	w	b	n	Bolt	No.	No.	(kg)
UCP305	25	45	175	132	45	17	20	15	85	38	15	M14	UC305	P218	1.4
UCP305-13	13/16	1-46/64	6-7/8	5-3/16	1-25/32	43/64	25/32	19/32	3-11/32	1.4961	0.591	1/2	UC305-13	P218	
UCP305-14	7/8	/											UC305-14	P218	
UCP305-15	15/16	1/2											UC305-15	P218	
UCP305-16	1												UC305-16	P218	
UCP306	30	50	180	140	50	17	20	18	85	43	17	M14	UC306	P306	1.8
UCP306-17	1-1/16	1-31/32	7-3/32	5-1/2	1-31/32	43/64	25/32	23/32	3-3/4	1.6929	0.669	1/2	UC306-17	P306	
UCP306-18	1-1/8												UC306-18	P306	
UCP306-19	1-3/16												UC306-19	P306	
UCP307	35	56	210	160	56	17	25	20	106	48	19	M14	UC307	P307	2.8
UCP307-20	1-1/4	1-13/64	8-9/32	6-5/16	2-13/64	43/64	31/32	25/32	4-3/16	1.8898	1.748	1/2	UC307-20	P307	
UCP307-21	1-5/16												UC307-21	P307	
UCP307-22	1-3/8												UC307-22	P307	
UCP307-23	1-7/16												UC307-23	P307	
UCP308	40	60	220	170	60	17	27	22	116	52	19	M14	UC308	P308	3
UCP308-24	1-1/2	2-23/64	8-21/32	6-11/16	2-3/8	43/64	1-11/16	7/8	4-9/16	2.0472	0.748	1/2	UC308-24	P308	
UCP308-25	1-9/16												UC308-25	P308	
UCP309	45	67	245	190	67	20	30	24	129	57	22	M16	UC309	P309	4.1
UCP309-26	1-5/8	2-41/64	9-21/32	7-15/32	2-5/8	25/32	1-3/16	15/16	5-3/32	2.2441	0.866	5/8	UC309-26	P309-26	
UCP309-27	1-11/16												UC309-27	P309-26	
UCP309-28	1-3/4												UC309-28	P309-26	
UCP310	50	75	275	212	75	20	35	27	143	61	22	M16	UC310	P310	5.8
UCP310-29	1-13/16	2-61/64	10-13/16	8-11/32	2-15/16	25/32	1-3/8	1-1/16	5-5/8	2.4016	0.866	5/8	UC310-29	P310	
UCP310-30	1-7/8												UC310-30	P310	
UCP310-31	1-15/16												UC310-31	P310	
UCP311	55	80	310	236	80	20	38	30	154	66	25	M16	UC311	P311	7.4

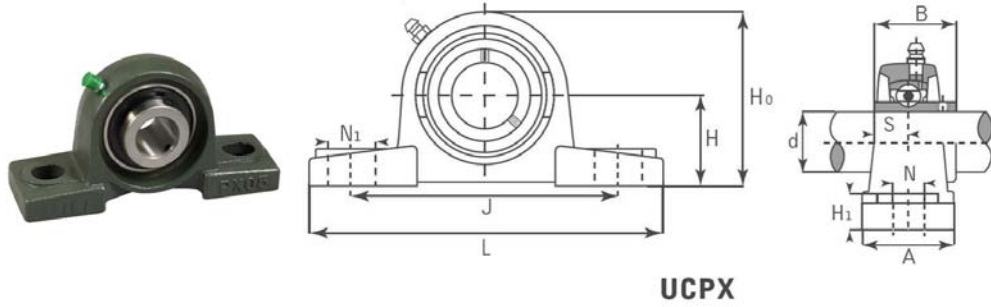




**UCP**

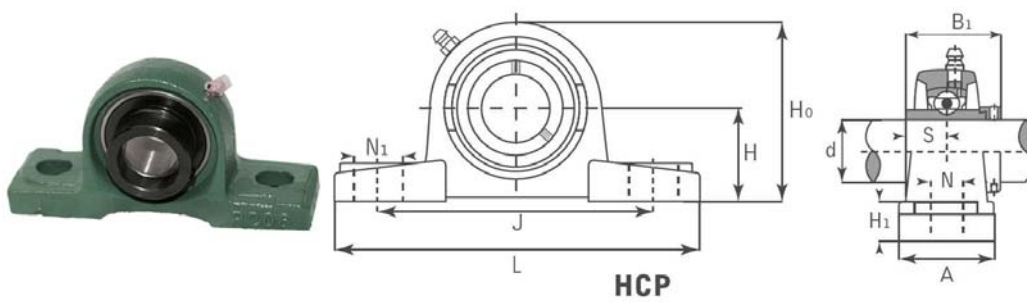
Part No.	Dimension(mm)													Bearing No.	Housing No.	Mass (kg)
	CMB	d	h	a	e	b	S1	S2	g	w	b	n	Bolt			
UCP311-32		2	3-5/32	12-7/32	9-9/32	3-5/32	25/32	1-1/2	1-3/16	6-1/16	2.5984	0.948	5/8	UC311-32	P311	
UCP311-33		2-1/16												UC311-33	P311	
UCP311-34		2-1/8												UC311-34	P311	
UCP311-35		2-3/16												UC311-35	P311	
UCP312		60	85	330	250	85	25	38	32	165	71	26	M20	UC312	P312	9.4
UCP312-36		2-1/4	3-11/32	13	9-17/32	3-11/32	31/32	1-1/2	1-1/4	6-1/2	2.7953	1.024	3/4	UC312-36	P312	
UCP312-37		2-5/16												UC312-37	P312	
UCP312-38		2-3/8												UC312-38	P312	
UCP312-39		2-7/16												UC312-39	P312	
UCP313		65	90	340	260	90	25	38	33	176	75	30	M20	UC313	P313	10
UCP313-40		2-1/2	3-35/64	13-3/8	10-1/4	3-17/32	31/32	1-1/2	1-5/16	6-15/16	2.9528	1.818	3/4	UC313-40	P313	
UCP313-41		2-9/16												UC313-41	P313	
UCP314		70	95	360	280	90	27	40	35	187	78	33	M22	UC314	P314	12
UCP314-42		2-5/8	3-47/64	14-3/16	11-1/32	3-17/32	1-1/16	1-9/16	1-3/8	7-3/8	3.0708	1.299	7/8	UC314-42	P314	
UCP314-43		2-11/16												UC314-43	P314	
UCP314-44		2-3/4												UC314-44	P314	
UCP315		75	100	380	290	100	27	40	35	198	82	32	M22	UC315	P315	14
UCP315-45		2-13/16	3-15/16	14-31/32	11-13/32	3-15/16	1-1/16	1-9/16	1-3/8	7-25/32	3.2283	1.26	7/8	UC315-45	P315	
UCP315-46		2-7/8												UC315-46	P315	
UCP315-47		2-15/16												UC315-47	P315	
UCP315-48		3												UC315-48	P315	
UCP316		80	106	400	300	110	27	40	40	210	86	34	M22	UC316	P316	18
UCP316-49		3-1/16	4-11/64	15-3/4	11-13/16	4-11/32	1-1/16	37/150	1-9/16	8-9/32	3.3858	1.339	7/8	UC316-49	P316	
UCP316-50		3-1/8												UC316-50	P316	
UCP316-51		3-3/16												UC316-51	P316	
UCP317		85	112	420	320	110	33	45	40	220	96	40	M27	UC317	P317	20
UCP317-52		3-1/4	4-13/32	16-17/32	12-19/32	4-11/32	1-5/16	1-25/32	1-9/16	8-21/32	3.7795	1.575	1	UC317-52	P317	
UCP317-53		3-5/16												UC317-53	P317	
UCP317-55		3-7/16												UC317-55	P317	
UCP318		90	118	430	330	110	33	45	45	235	96	40	M27	UC318	P318	24
UCP318-55		3-7/16	4-41/64	16-15/16	13	4-11/32	1-5/16	1-25/32	1-25/32	9-1/4	3.7795	1.575	1	UC318-55	P318	
UCP318-56		3-1/2												UC318-56	P318	
UCP319		95	125	470	360	120	36	50	45	250	103	41	M30	UC319	P319	29
UCP319-58		3-5/8	4-59/64	18-1/2	14-3/16	4-23/32	1-13/32	1-31/32	1-25/32	9-27/32	4.0551	1.614	1-1/8	UC319-58	P319	
UCP319-59		3-11/16												UC319-59	P319	
UCP319-60		3-3/4	/											UC319-60	P319	
UCP320		100	140	490	380	120	36	50	50	275	108	42	M30	UC320	P320	36
UCP320-64		4	5-33/64	19-9/32	14-31/32	1-23/32	1-31/32	1-31/31	10-53/64	4.252	1.6536	1-1/8	1-1/8	UC320-64	P320	





UCPX																
Part No.	Dimension(mm)											Bearing		Housing	Mass	
CMB	d	H	L	J	A	N	N1	H1	H0	B	S	Bolt	No.	No.	(kg)	
UCPX05	25	44.4	159	119	51	17	20	18	85	38.1	15.9	M14	UCX05	PX05	1.5	
UCPX05-13	13/16	1-3/4	6-1/4	4-11/16	2	43/64	25/32	23/32	3-11/32	1.5	0.63	1/2	UCX05-13	PX05	1.5	
UCPX05-14	7/8	1-3/4	6-1/4	4-11/16	2	43/64	25/32	23/32	3-11/32	1.5	0.63	1/2	UCX05-14	PX05	1.5	
UCPX05-15	15/16	1-3/4	6-1/4	4-11/16	2	43/64	25/32	23/32	3-11/32	1.5	0.63	1/2	UCX05-15	PX05	1.5	
UCPX05-16	1	1-3/4	6-1/4	4-11/16	2	43/64	25/32	23/32	3-11/32	1.5	0.63	1/2	UCX05-16	PX05	1.5	
UCPX06	30	47.6	175	127	57	17	20	20	93	42.9	17.5	M14	UCX06	PX06	2	
UCPX06-17	1-1/16	1-7/8	6-7/8	5	2-1/4	43/64	25/32	25/32	3-21/32	1.69	0.69	1/2	UCX06-17	PX06	2	
UCPX06-18	1-1/8	1-7/8	6-7/8	5	2-1/4	43/64	25/32	25/32	3-21/32	1.69	0.69	1/2	UCX06-18	PX06	2	
UCPX06-19	1-3/16	1-7/8	6-7/8	5	2-1/4	43/64	25/32	25/32	3-21/32	1.69	0.69	1/2	UCX06-19	PX06	2	
UCPX06-20	1-1/4	1-7/8	6-7/8	5	2-1/4	43/64	25/32	25/32	3-21/32	1.69	0.69	1/2	UCX06-20	PX06	2	
UCPX07	35	54	203	144	57	17	20	21	105	49.2	19	M14	UCX07	PX07	2.6	
UCPX07-21	1-5/16	2-1/8	8	5-21/32	2-1/4	43/64	25/32	13/16	4-1/8	1.94	0.75	1/2	UCX07-21	PX07	2.6	
UCPX07-22	1-3/8	2-1/8	8	5-21/32	2-1/4	43/64	25/32	13/16	4-1/8	1.94	0.75	1/2	UCX07-22	PX07	2.6	
UCPX07-23	1-7/16	2-1/8	8	5-21/32	2-1/4	43/64	25/32	13/16	4-1/8	1.94	0.75	1/2	UCX07-23	PX07	2.6	
UCPX08	40	58.7	222	156	67	20	23	26	111	49.2	19	M16	UCX08	PX08	3.3	
UCPX08-24	1-1/2	2-5/16	8-3/4	6-5/32	2-5/8	25/32	29/32	1-1/32	4-3/8	1.94	0.75	5/8	UCX08-24	PX08	3.3	
UCPX08-25	1-9/16	2-5/16	8-3/4	6-5/32	2-5/8	25/32	29/32	1-1/32	4-3/8	1.94	0.75	5/8	UCX08-25	PX08	3.3	
UCPX09	45	58.7	222	156	67	20	23	26	116	51.6	19	M16	UCX09	PX09	3.3	
UCPX09-26	1-5/8	2-5/16	8-3/4	6-5/32	2-5/8	25/32	29/32	1-1/32	4-9/16	2.03	0.75	5/8	UCX09-26	PX09	3.3	
UCPX09-27	1-11/16	2-5/16	8-3/4	6-5/32	2-5/8	25/32	29/32	1-1/32	4-9/16	2.03	0.75	5/8	UCX09-27	PX09	3.3	
UCPX09-28	1-3/4	2-5/16	8-3/4	6-5/32	2-5/8	25/32	29/32	1-1/32	4-9/16	2.03	0.75	5/8	UCX09-28	PX09	3.3	
UCPX09-29	1-13/16	2-5/16	8-3/4	6-5/32	2-5/8	25/32	29/32	1-1/32	4-9/16	2.03	0.75	5/8	UCX09-29	PX09	3.3	
UCPX10	50	63.5	241	171	73	20	23	27	126	55.6	22.2	M16	UCX10	PX10	4.3	
UCPX10-30	1-7/8	2-1/2	9-1/2	6-47/64	2-7/8	25/32	29/32	1-1/16	4-31/32	2.19	0.87	5/8	UCX10-30	PX10	4.3	
UCPX10-31	1-15/16	2-1/2	9-1/2	6-47/64	2-7/8	25/32	29/32	1-1/16	4-31/32	2.19	0.87	5/8	UCX10-31	PX10	4.3	
UCPX10-32	2	2-1/2	9-1/2	6-47/64	2-7/8	25/32	29/32	1-1/16	4-31/32	2.19	0.87	5/8	UCX10-32	PX10	4.3	
UCPX11	55	69.8	260	184	79	25	28	30	137	65.1	25.4	M20	UCX11	PX11	5.7	
UCPX11-33	2-1/16	2-3/4	10-1/4	7-1/4	3-1/8	31/32	1-3/32	1-3/16	5-13/32	2.56	1	3/4	UCX11-33	PX11	5.7	
UCPX11-34	2-1/8	2-3/4	10-1/4	7-1/4	3-1/8	31/32	1-3/32	1-3/16	5-13/32	2.56	1	3/4	UCX11-34	PX11	5.7	
UCPX11-35	2-3/16	2-3/4	10-1/4	7-1/4	3-1/8	31/32	1-3/32	1-3/16	5-13/32	2.56	1	3/4	UCX11-35	PX11	5.7	
UCPX11-36	2-1/4	2-3/4	10-1/4	7-1/4	3-1/8	31/32	1-3/32	1-3/16	5-13/32	2.56	1	3/4	UCX11-36	PX11	5.7	
UCPX12	60	76.2	286	203	83	25	28	33	151	65.1	25.4	M20	UCX12	PX12	7.3	
UCPX12-38	2-3/8	3	11-1/4	8	3-9/32	31/32	1-3/32	1-5/16	5-15/16	2.56	1	3/4	UCX12-38	PX12	7.3	
UCPX12-39	2-7/16	3	11-1/4	8	3-9/32	31/32	1-3/32	1-5/16	5-15/16	2.56	1	3/4	UCX12-39	PX12	7.3	
UCPX13	65	76.2	286	203	83	25	28	33	154	74.6	30.2	M20	UCX13	PX13	7.6	
UCPX13-40	2-1/2	3	11-1/4	8	3-9/32	63/64	1-3/32	1-5/16	6-1/16	2.94	1.19	3/4	UCX13-40	PX13	7.6	
UCPX13-41	2-9/16	3	11-1/4	8	3-9/32	63/64	1-3/32	1-5/16	6-1/16	2.94	1.19	3/4	UCX13-41	PX13	7.6	
UCPX14	70	88.9	330	229	89	27	30	35	170	77.8	33.3	M22	UCX14	PX14	9.9	
UCPX14-42	2-5/8	3-1/2	13	9-1/32	3-1/2	1-1/16	1-3/16	1-3/8	6-11/16	3.06	1.31	7/8	UCX14-42	PX14	9.9	
UCPX14-43	2-11/16	3-1/2	13	9-1/32	3-1/2	1-1/16	1-3/16	1-3/8	6-11/16	3.06	1.31	7/8	UCX14-43	PX14	9.9	
UCPX14-44	2-3/4	3-1/2	13	9-1/32	3-1/2	1-1/16	1-3/16	1-3/8	6-11/16	3.06	1.31	7/8	UCX14-44	PX14	9.9	
UCPX15	75	88.9	330	229	89	27	30	35	175	82.6	33.3	M22	UCX15	PX15	11	
UCPX15-45	2-13/16	3-1/2	13	9-1/32	3-1/2	1-1/16	1-3/16	1-3/8	6-7/8	3.25	1.31	7/8	UCX15-45	PX15	11	
UCPX15-46	2-7/8	3-1/2	13	9-1/32	3-1/2	1-1/16	1-3/16	1-3/8	6-7/8	3.25	1.31	7/8	UCX15-46	PX15	11	
UCPX15-47	2-15/16	3-1/2	13	9-1/32	3-1/2	1-1/16	1-3/16	1-3/8	6-7/8	3.25	1.31	7/8	UCX15-47	PX15	11	
UCPX15-48	3	3-1/2	13	9-1/32	3-1/2	1-1/16	1-3/16	1-3/8	6-7/8	3.25	1.31	7/8	UCX15-48	PX15	11	
UCPX16	80	101.6	381	283	102	27	30	40	194	85.7	34.1	M22	UCX16	PX16	15	
UCPX16-49	3-1/16	4	15	11-5/32	4-1/32	1-1/16	1-3/16	1-9/16	7-5/8	3.37	1.34	7/8	UCX16-49	PX16	15	
UCPX16-50	3-1/8	4	15	11-5/32	4-1/32	1-1/16	1-3/16	1-9/16	7-5/8	3.37	1.34	7/8	UCX16-50	PX16	15	
UCPX16-51	3-3/16	4	15	11-5/32	4-1/32	1-1/16	1-3/16	1-9/16	7-5/8	3.37	1.34	7/8	UCX16-51	PX16	15	
UCPX16-52	3-1/4	4	15	11-5/32	4-1/32	1-1/16	1-3/16	1-9/16	7-5/8	3.37	1.34	7/8	UCX16-52	PX16	15	
UCPX17	85	101.6	381	283	102	27	30	40	200	96	39.7	M22	UCX17	PX17	16	
UCPX17-53	3-5/16	4	15	11-5/32	4-1/32	1-1/16	1-3/16	1-9/16	7-7/8	3.78	1.56	7/8	UCX17-53	PX17	16	
UCPX17-55	3-7/16	4	15	11-5/32	4-1/32	1-1/16	1-3/16	1-9/16	7-7/8	3.78	1.56	7/8	UCX17-55	PX17	16	
UCPX18	90	101.6	381	283	111	27	30	40	206	104	42.9	M22	UCX18	PX18	17	
UCPX18-56	3-1/2	4	15	11-5/32	4-3/8	1-1/16	1-3/16	1-37/64	8-7/64	4.09	1.69	7/8	UCX18-56	PX18	17	
UCPX20	100	127	432	337	121	33	36	45	244	117.5	49.2	M27	UCX20	PX20	30	
UCPX20-64	4	5	17	13-9/32	4-3/4	1-5/16	1-27/64	1-25/32	9-39/64	4.63	1.9370	1	UCX20-64	PX20	30	



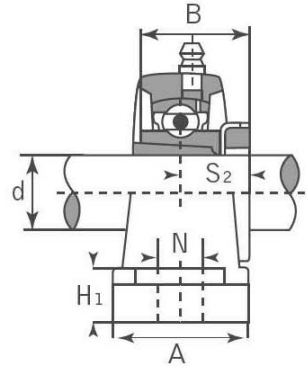
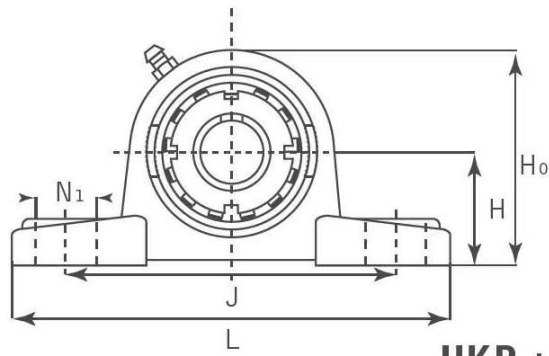


HCP (UCLP)

Part No.	Dimension(mm)											Bearing No.	Housing No.	Mass (kg)		
	CMB	d	H	L	J	A	N	N1	H1	H0	B				S	
HCP204		20	33.3	127	95	38	13	19	14	65	43.7	17.1	M10	HC204	P204	0.73
HCP204-12		3/4	1-5/16	5	3-3/4	1-1/2	1/2	3/4	9/16	2-9/16	1.72	673	3/8	HC204-12	P204	0.73
HCP205		25	36.5	140	105	38	13	19	15	71	44.4	17.5	M10	HC205	P205	0.88
HCP205-13		13/16	1-7/16	5-1/2	4-1/8	1-1/2	1/2	3/4	19/32	2-25/32	1.748	0.689	3/8	HC205-13	P205	0.93
HCP205-14		7/8	1-7/16	5-1/2	4-1/8	1-1/2	1/2	3/4	19/32	2-25/32	1.748	0.689	3/8	HC205-14	P205	0.92
HCP205-15		15/16	1-7/16	5-1/2	4-1/8	1-1/2	1/2	3/4	19/32	2-25/32	1.748	0.689	3/8	HC205-15	P205	0.9
HCP205-16		1	1-7/16	5-1/2	4-1/8	1-1/2	1/2	3/4	19/32	2-25/32	1.748	0.689	3/8	HC205-16	P205	0.88
HCP206		30	42.9	160	121	44	17	20	17	84	48.4	18.3	M14	HC206	P206	1.37
HCP206-17		1-1/16	1-11/16	6-19/64	4-3/4	1-47/64	43/64	25/32	21/32	3-5/16	1.906	0.72	1/2	HC206-17	P206	1.42
HCP206-18		1-1/8	1-11/16	6-19/64	4-3/4	1-47/64	43/64	25/32	21/32	3-5/16	1.906	0.72	1/2	HC206-18	P206	1.39
HCP206-19		1-3/16	1-11/16	6-19/64	4-3/4	1-47/64	43/64	25/32	21/32	3-5/16	1.906	0.72	1/2	HC206-19	P206	1.37
HCP206-20		1-1/4	1-11/16	6-19/64	4-3/4	1-47/64	43/64	25/32	21/32	3-5/16	1.906	0.72	1/2	HC206-20	P206	1.34
HCP207		35	47.6	167	127	48	17	20	18	93	51.1	188	M14	HC207	P207	1.7
HCP207-20		1-1/4	1-7/8	6-9/16	5	1-7/8	43/64	25/32	45/64	3-21/32	2.012	0.74	1/2	HC207-20	P207	1.77
HCP207-21		1-5/16	1-7/8	6-9/16	5	1-7/8	43/64	25/32	45/64	3-21/32	2.012	0.74	1/2	HC207-21	P207	1.73
HCP207-22		1-3/8	1-7/8	6-9/16	5	1-7/8	43/64	25/32	45/64	3-21/32	2.012	0.74	1/2	HC207-22	P207	1.7
HCP207-23		1-7/16	1-7/8	6-9/16	5	1-7/8	43/64	25/32	45/64	3-21/32	2.012	0.74	1/2	HC208-23	P207	1.67
HCP208		40	49.2	184	137	54	17	20	18	100	56.3	21.4	M14	HC208	P208	2.04
HCP208-24		1-1/2	1-15/16	7-1/4	5-13/32	2-1/8	43/64	25/32	45/64	3-15/16	2.22	0.843	1/2	HC208-24	P208	2.09
HCP208-25		1-9/16	1-15/16	7-1/4	5-13/32	2-1/8	43/64	25/32	45/64	3-15/16	2.22	0.843	1/2	HC208-25	P208	2.05
HCP209		45	54	190	146	54	17	20	20	106	56.3	21.4	M14	HC209	P209	2.31
HCP209-26		1-5/8	2-1/8	7-15/32	5-3/4	2-1/8	43/64	25/32	25/32	4-1 1/64	2.22	0.84	1/2	HC209-26	P209	2.42
HCP209-27		1-11/16	2-1/8	7-15/32	5-3/4	2-1/8	43/64	25/32	25/32	4-1 1/64	2.22	0.84	1/2	HC209-27	P209	2.37
HCP209-28		1-3/4	2-1/8	7-15/32	5-3/4	2-1/8	43/64	25/32	25/32	4-1 1/64	2.22	0.84	1/2	HC209-28	P209	2.33
HCP210		50	57.2	206	159	60	20	23	21	113	62.7	24.6	M16	HC210	P210	2.85
HCP210-29		1-13/16	2-1/4	8-1/8	6-1/4	2-3/8	25/32	29/32	53/64	4-29/64	2.469	0.969	5/8	HC210-29	P210	3
HCP210-30		1-7/8	2-1/4	8-1/8	6-1/4	2-3/8	25/32	29/32	53/64	4-29/64	2.469	0.969	5/8	HC210-30	P210	2.94
HCP210-31		1-15/16	2-1/4	8-1/8	6-1/4	2-3/8	25/32	29/32	53/64	4-29/64	2.469	0.969	5/8	HC210-31	P210	2.88
HCP210-32		2	2-1/4	8-1/8	6-1/4	2-3/8	25/32	29/32	53/64	4-29/64	2.469	0.969	5/8	HC210-32	P210	2.82
HCP211		55	63.5	219	171	60	20	23	23	125	71.4	27.8	M16	HC211	P211	3.52
HCP211-32		2	2-1/2	8-5/8	6-47/64	2-3/8	25/32	29/32	29/32	4-59/64	2.81	1.094	5/8	HC211-32	P211	3.72
HCP211-33		2-1/16	2-1/2	8-5/8	6-47/64	2-3/8	25/32	29/32	29/32	4-59/64	2.81	1.094	5/8	HC211-33	P211	3.64
HCP211-34		2-1/8	2-1/2	8-5/8	6-47/64	2-3/8	25/32	29/32	29/32	4-59/64	2.81	1.094	5/8	HC211-34	P211	3.57
HCP211-35		2-3/16	2-1/2	8-5/8	6-47/64	2-3/8	25/32	29/32	29/32	4-59/64	2.81	1.094	5/8	HC211-35	P211	3.49
HCP212		60	69.8	241	184	70	20	23	25	138	77.8	31	M16	HC212	P212	5.24
HCP212-36		2-1/4	2-3/4	9-1/2	7-1/4	2-3/4	25/32	29/32	63/64	5-7/16	3.063	1.22	5/8	HC212-36	P212	5.4
HCP212-37		2-5/16	2-3/4	9-1/2	7-1/4	2-3/4	25/32	29/32	63/64	5-7/16	3.063	1.22	5/8	HC212-37	P212	5.31
HCP212-38		2-3/8	2-3/4	9-1/2	7-1/4	2-3/4	25/32	29/32	63/64	5-7/16	3.063	1.22	5/8	HC212-38	P212	5.26
HCP212-39		2-7/16	2-3/4	9-1/2	7-1/4	2-3/4	25/32	29/32	63/64	5-7/16	3.063	1.22	5/8	HC212-39	P212	5.13
HCP213		65	76.2	265	203	70	25	28	27	150	85.7	34.1	M20	HC213	P213	5.71
HCP213-40		2-1/2	3	10-7/16	8	2-3/4	63/64	1-3/32	1-1/16	5-29/32	3.374	1.343	3/4	HC213-40	P213	5.81
HCP213-41		2-9/16	3	10-7/16	8	2-3/4	63/64	1-3/32	1-1/16	5-29/32	3.374	1.343	3/4	HC213-41	P213	5.7
HCP214		70	79.4	266	210	72	25	28	27	156	85.7	34.1	M20	HC214	P214	6.7
HCP214-42		2-3/8	3-1/8	10-15/32	8-17/64	2-27/32	63/64	1-3/32	1-1/16	6-9/64	3.374	1.343	3/4	HC214-42	P214	6.94
HCP214-43		2-11/16	3-1/8	10-15/32	8-17/64	2-27/32	63/64	1-3/32	1-1/16	6-9/64	3.374	1.343	3/4	HC214-43	P214	6.83
HCP214-44		2-3/4	3-1/8	10-15/32	8-17/64	2-27/32	63/64	1-3/32	1-1/16	6-9/64	3.374	1.343	3/4	HC214-44	P214	6.71
HCP215		75	82.6	275	217	74	25	28	28	162	92.1	37.3	M20	HC215	P215	7.79
HCP215-45		2-13/16	3-1/4	10-53/64	8-35/64	2-29/32	63/64	1-3/32	1-3/32	6-3/8	3.626	1.426	3/4	HC215-45	P215	8.09
HCP215-46		2-7/8	3-1/4	10-53/64	8-35/64	2-29/32	63/64	1-3/32	1-3/32	6-3/8	3.626	1.426	3/4	HC215-46	P215	7.96
HCP215-47		2-15/16	3-1/4	10-53/64	8-35/64	2-29/32	63/64	1-3/32	1-3/32	6-3/8	3.626	1.426	3/4	HC215-47	P215	7.83
HCP2 15-48		3	3-1/4	10-53/64	8-35/64	2-29/32	63/64	1-3/32	1-3/32	6-3/8	3.626	1.426	3/4	HC215-48	P215	7.69







**UKP + H**

**Pillow block-UKP200+H2300**

Part No.		Dimension(mm)										Bearing	Housing	Mass
CMB	d	H	L	J	A	N	N1	H1	H0	B	Bolt	No.	No.	(kg)
UKP205+H2305	20	36.5	140	105	38	13	19	15	71	35	M10	UK205+H2305	P205	0.86
UKP205+HE2305	3/4	1-7/16	5-1/2	4-1/8	1-1/2	1/2	3/4	19/32	2-25/32	1.38	3/8	UK205+HE2305	P205	0.86
UKP206+H2306	25	42.9	160	121	44	17	20	17	84	38	M14	UK206+H2306	P206	1.28
UKP206+HS2306	7/8	1-11/16	6-19/64	4-3/4	1-47/64	43/64	25/32	43/64	3-5/16	1.5	1/2	UK206:HS2306	P206	1.28
UKP206+HE2306	1	1-11/16	6-19/64	4-3/4	1-47/64	43/64	25/32	43/64	3-5/16	1.5	1/2	UK206:HE2306	P206	1.28
UKP207+H2307	30	47.6	167	127	48	17	20	18	93	43	M14	UK207+H2307	P207	1.67
UKP207+HS2307	1-1/8	1-7/8	6-9/16	5	1-7/8	43/64	25/32	45/64	3-21/32	1.69	1/2	UK207+HS2307	P207	1.67
UKP208+H2308	35	49.2	184	137	54	17	20	18	100	46	M14	UK208+H2308	P208	1.99
UKP208:HE2308	1-1/4	1-15/16	7-1/4	5-13/32	2-1/8	43/64	25/32	45/64	3-15/16	1.81	1/2	UK208:HE2308	P208	1.99
UKP208+HS2308	1-3/8	1-15/16	7-1/4	5-13/32	2-1/8	43/64	25/32	45/64	3-15/16	1.81	1/2	UK208+HS2308	P208	1.99
UKP209+H2309	40	54	190	146	54	17	20	20	106	50	M14	UK209:H2309	P209	2.29
UKP209+HA2309	1-7/16	2-1/8	7-15/32	5-3/4	2-1/8	43/64	25/32	25/32	4-11/64	1.97	1/2	UK209:HA2309	P209	2.29
UKP209+HE2309	1-1/2	2-1/8	7-15/32	5-3/4	2-1/8	43/64	25/32	25/32	4-11/64	1.97	1/2	UK209:HE2309	P209	2.29
UKP209+HS2309	1-5/8	2-1/8	7-15/32	5-3/4	2-1/8	43/64	25/32	25/32	4-11/64	1.97	1/2	UK209+HS2309	P209	2.29
UKP210+H2310	45	57.2	206	159	60	20	23	21	113	55	M16	UK210+H2310	P210	2.83
UKP210+HS2310	1-5/8	2-1/4	8-1/8	6-1/4	2-3/8	25/32	29/32	53/64	4-29/64	2.17	5/8	UK210:HS2310	P210	2.83
UKP210:HA2310	1-11/16	2-1/4	8-1/8	6-1/4	2-3/8	25/32	29/32	53/64	4-29/64	2.17	5/8	UK210+HA2310	P210	2.83
UKP210+HE2310	1-3/4	2-1/4	8-1/8	6-1/4	2-3/8	25/32	29/32	53/64	4-29/64	2.17	5/8	UK210+HE2310	P210	2.83
UKP211+H2311	50	63.5	219	171	60	20	23	23	125	59	M16	UK211:H2311	P211	3.46
UKP211+HS2311	1-7/8	2-1/2	8-5/8	6-47/64	2-3/8	25/32	29/32	29/32	4-59/64	2.32	5/8	UK211+HS2311	P211	3.46
UKP211+HA2311	1-15/16	2-1/2	8-5/8	6-47/64	2-3/8	25/32	29/32	29/32	4-59/64	2.32	5/8	UK211+HA2311	P211	3.46
UKP211+HE2311	2	2-1/2	8-5/8	6-47/64	2-3/8	25/32	29/32	29/32	4-59/64	2.32	5/8	UK211+HE2311	P211	3.46
UKP212+H2312	55	69.8	241	184	70	20	23	25	138	62	M16	UK212+H2312	P212	4.95
UKP212+HS2312	2-1/8	2-3/4	9-1/2	7-1/4	2-3/4	25/32	29/32	63/64	5-7/16	2.44	5/8	UK212:HS2312	P212	4.95
UKP213+H2313	60	76.2	265	203	70	25	28	27	150	65	M20	UK213+H2313	P213	5.06
UKP213+HA2313	2-3/16	3	10-7/16	8	2-3/4	63/64	1-3/32	1-1/16	5-29/32	2.56	3/4	UK213+HA2313	P213	5.06
UKP213+HE2313	2-1/4	3	10-7/16	8	2-3/4	63/64	1-3/32	1-1/16	5-29/32	2.56	3/4	UK213+HE2313	P213	5.06
UKP213+HS2313	2-3/8	3	10-7/16	8	2-3/4	63/64	1-3/32	1-1/16	5-29/32	2.56	3/4	UK213+HS2313	P213	5.06
UKP215+H2315	65	82.6	275	217	74	25	28	28	162	73	M20	UK215+H2315	P215	7.27
UKP215+HA2315	2-7/16	3-1/4	10-53/64	8-35/64	2-29/32	63/64	1-3/32	1-3/32	6-3/8	2.87	3/4	UK215+HA2315	P215	7.27
UKP215+HE2315	2-1/2	3-1/4	10-53/64	8-35/64	2-29/32	63/64	1-3/32	1-3/32	6-3/8	2.87	3/4	UK215+HE2315	P215	7.27
UKP216+H2316	70	88.9	292	232	78	25	28	30	174	78	M20	UK216-H2316	P216	8.36
UKP216+HA2316	2-11/16	3-1/2	11-1/2	9-1/8	3-1/16	63/64	1-3/32	1-3/16	6-27/32	3.07	3/4	UK216+HA2316	P216	8.36
UKP216+HE2316	2-3/4	3-1/2	11-1/2	9-1/8	3-1/16	63/64	1-3/32	1-3/16	6-27/32	3.07	3/4	UK216+HE2316	P216	8.36
UKP217+H2317	75	95.2	310	247	83	25	28	32	185	82	M20	UK217+H2317	P217	10.23
UKP217+HA2317	2-15/16	3-3/4	12-13/64	9-23/32	3-17/64	63/64	1-3/32	1-1/4	7-9/32	3.23	3/4	UK217+HA2317	P217	10.23
UKP217+HE2317	3	3-3/4	12-13/64	9-23/32	3-17/64	63/64	1-3/32	1-1/4	7-9/32	3.23	3/4	UK217+HE2317	P217	10.23
UKP218-H2318	80	101.6	327	262	88	27	30	33	198	86	M22	UK218:H2318	P218	12.34
UKP218+HA2318	3-3/16	4	12-7/8	10-5/16	3-15/32	1-1/16	1-3/16	1-19/64	7-51/64	3.39	7/8	UK218+HA2318	P218	12.34

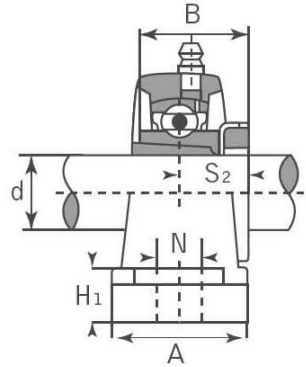
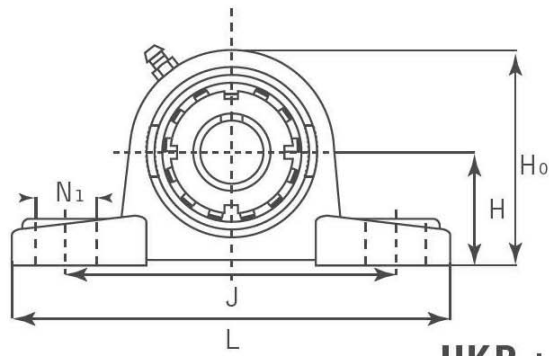
**Pillow block-UKP300+H2300**

Part No.		Dimension(mm)										Bearing	Housing	Mass
CMB	d	H	L	J	A	N	N1	H1	H0	B	Bolt	No.	No.	(kg)
UKP305+H2305	20	45	175	132	45	17	20	15	85	35	M14	UK305+H2305	P305	1.7
UKP305+HE2305	3/4	1-49/64	6-7/8	5-3/16	1-3/4	43/64	19/32	25/32	3-11/32	1.378	1/2	UK305+HE2305	P305	1.7
UKP306+H2306	25 7/8 1	50	180	140	50	17	20	18	95	38	M14	UK306+H2306	P306	2.3
UKP306+HS2306	7/8	1-31/32	7-3/32	5-1/2	1-31/32	43/64	25/32	23/32	3-3/4	1.496	1/2	UK306:HS2306	P306	2.3
UKP306+HE2306	1	1-31/32	7-3/32	5-1/2	1-31/32	43/64	25/32	23/32	3-3/4	1.496	1/2	UK306+HE2306	P306	2.3



**Imp. dist. de retenes rodamientos y afines S.A.**

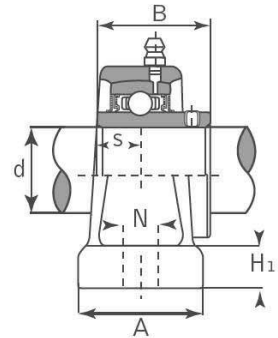
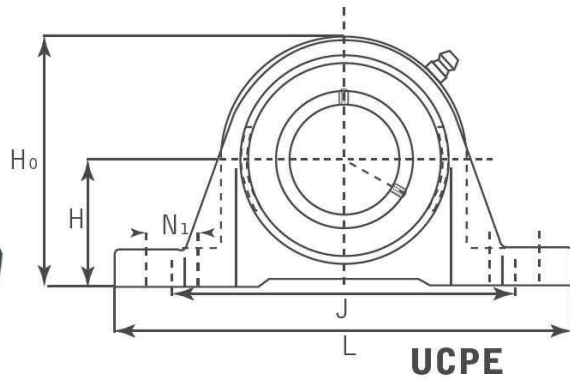
Av. Ramón carcamo 720 Lima 1 - Perú  
 Teléfono: (511) 424 7518 / Fax: (511) 423 4099  
 Nextel: 831\*7611 / 818\*3953



**UKP + H**

Part No.	Dimension(mm)											Bearing	Housing	Mass
CMB	d	H	L	J	A	N	N1	H1	H0	B	Bolt	No.	No.	(kg)
UKP307+H2307	30	56	210	160	56	17	25	20	106	43	M14	UK307+H2307	P307	3
UKP307+HS2307	1-1/8	2-13/64	8-9/32	6-5/16	2-7/32	43/64	63/64	25/32	4-3/16	1.693	1/2	UK307+HS2307	P307	3
UKP308+H2308	35	60	220	170	60	17	27	22	116	46	M16	UK308+H2308	P308	3.8
UKP308+HE2308	1-1/4	2-23/64	8-21/32	6-11/16	2-3/8	43/64	1-1/16	7/8	4-9/16	1.811	5/8	UK308:HE2308	P308	3.8
UKP308+HS2308	1-3/8	2-23/64	8-21/32	6-11/16	2-3/8	43/64	1-1/16	7/8	4-9/16	1.811	5/8	UK308:HS2308	P308	3.8
UKP309+H2309	40	67	245	190	67	20	30	24	129	50	M16	UK309+H2309	P309	5
UKP309+HA2309	1-7/16	1-41/64	9-21/32	7-15/32	2-5/8	25/32	1-3/16	15/16	5-3/32	1.969	5/8	UK309:HA2309	P309	5
UKP309+HE2309	1-1/2	1-41/64	9-21/32	7-15/32	2-5/8	25/32	1-3/16	15/16	5-3/32	1.969	5/8	UK309:HE2309	P309	5
UKP309+HS2309	1-5/8	1-41/64	9-21/32	7-15/32	2-5/8	25/32	1-3/16	15/16	5-3/32	1.969	5/8	UK309+HS2309	P309	5
UKP310+H2310	45	75	275	212	75	20	35	27	143	55	M16	UK310+H2310	P310	6.7
UKP310+HS2310	1-5/8	2-61/64	10-13/16	8-11/32	2-15/16	25/32	1-3/8	1-1/16	5-5/8	2.165	5/8	UK310+HS2310	P310	6.7
UKP310+HA2310	1-11/16	2-61/64	10-13/16	8-11/32	2-15/16	25/32	1-3/8	1-1/16	5-5/8	2.165	5/8	UK310+HA2310	P310	6.7
UKP310+ME2310	1-3/4	2-61/64	10-13/16	8-11/32	2-15/16	25/32	1-3/8	1-1/16	5-5/8	2.165	5/8	UK310+HE2310	P310	6.7
UKP311+H2311	50	80	310	236	80	20	38	30	154	59	M16	UK311+H2311	P311	8.1
UKP311+HS2311	1-7/8	3-5/32	12-7/32	9-9/32	3-5/32	25/32	1-1/2	1-3/16	6-1/16	2.323	5/8	UK311+HS2311	P311	8.1
UKP311+HA2311	1-15/16	3-5/32	12-7/32	9-9/32	3-5/32	25/32	1-1/2	1-3/16	6-1/16	2.323	5/8	UK311+HA2311	P311	8.1
UKP311+HE2311	2	3-5/32	12-7/32	9-9/32	3-5/32	25/32	1-1/2	1-3/16	6-1/16	2.323	5/8	UK311+HE2311	P311	8.1
UKP312+H2312	55	85	330	250	85	25	38	32	165	62	M20	UK312+H2312	P312	9.4
UKP312+HS2312	2-1/8	3-11/32	13	9-27/32	3-11/32	63/64	1-1/2	1-1/4	6-1/2	2.441	3/4	UK312+HS2312	P312	9.4
UKP313+H2313	60	90	340	260	90	25	38	33	176	65	M20	UK313+H2313	P313	10.8
UKP313+HA2313	2-3/16	3-35/64	13-3/8	10-1/4	3-17/32	63/64	1-1/2	1-5/16	6-15/16	2.559	3/4	UK313+HA2313	P313	10.8
UKP313+HE2313	2-1/4	3-35/64	13-3/8	10-1/4	3-17/32	63/64	1-1/2	1-5/16	6-15/16	2.559	3/4	UK313+HE2313	P313	10.8
UKP313+HS2313	2-3/8	3-35/64	13-3/8	10-1/4	3-17/32	63/64	1-1/2	1-5/16	6-15/16	2.559	3/4	UK313+HS2313	P313	10.8
UKP315+H2315	65	100	380	290	100	27	40	35	198	73	M22	UK315+H2315	P315	14.9
UKP315+HA2315	2-7/16	3-15/16	14-31/32	11-13/32	3-15/16	1-1/16	1-9/16	1-3/8	7-25/32	2.874	7/8	UK315+HA2315	P315	14.9
UKP315+HS2315	2-1/2	3-15/16	14-31/32	11-13/32	3-15/16	1-1/16	1-9/16	1-3/8	7-25/32	2.874	7/8	UK315+HS2315	P315	14.9
UKP316+H2316	70	106	400	300	110	27	40	40	210	78	M22	UK316+H2316	P316	18.6
UKP316+HA2316	2-11/16	4-11/64	15-3/4	11-13/16	4-11/32	1-1/16	1-9/16	1-9/16	8-9/32	3.071	7/8	UK316+HA2316	P316	18.6
UKP316+HE2316	2-3/4	4-11/64	15-3/4	11-13/16	4-11/32	1-1/16	1-9/16	1-9/16	8-9/32	3.071	7/8	UK316+HE2316	P316	18.6
UKP317+H2317	75	112	420	320	110	33	45	40	220	82	M27	UK317+H2317	P317	20.2
UKP317+HA2317	2-15/16	4-11/64	16-17/32	12-19/32	4-11/32	1-5/16	1-25/32	1-9/16	8-21/32	3.228	1	UK317+HA2317	P317	20.2
UKP317+HS2317	3	4-11/64	16-17/32	12-19/32	4-11/32	1-5/16	1-25/32	1-9/16	8-21/32	3.228	1	UK317+HS2317	P317	20.2
UKP318+H2318	80	118	430	330	110	33	45	45	235	86	M27	UK318+H2318	P318	22.8
UKP318+HA2318	3-3/16	4-41/64	16-15/16	13	4-11/32	1-5/16	1-25/32	1-25/32	9-1/4	3.386	1	UK318+HA2318	P318	22.8
UKP319+H2319	85	125	470	360	120	36	50	45	250	90	M30	UK319+H2319	P319	29.3
UKP319+HA2319	3-5/16	4-59/64	18-1/2	14-3/16	4-23/32	1-13/32	1-31/32	1-25/32	9-27/32	3.543	1-1/8	UK319+HA2319	P319	29.3
UKP320+H2320	90	140	490	380	120	36	50	50	275	97	M30	UK320+H2320	P320	34.8
UKP320+HA2320	3-7/16	5-33/64	19-9/32	14-31/32	4-23/32	1-13/32	1-31/32	1-31/32	10-53/64	3.814	1-1/8	UK320:HA2320	P320	34.8
UKP322+H2322	100	150	520	400	140	40	55	55	300	105	M33	UK322+H2322	P322	43.9
UKP322+HA2322	3-15/16	5-29/32	20-15/32	15-3/4	5-1/2	1-9/16	2-5/32	2-5/32	11-13/16	4.134	1-1/4	UK322+HA2322	P322	43.9
UKP324+H2324	110	160	570	450	140	40	55	65	320	112	M33	UK324+H2324	P324	55.7
UKP324+HA2324	4-3/16	6-19/64	22-7/16	17-23/32	5-1/2	1-9/16	2-5/32	1-21/32	12-19/32	4.41	1-1/4	UK324:HA2324	P324	55.7
UKP326+H2326	115	180	600	480	140	40	55	75	355	121	M33	UK326+H2326	P326	71.9
UKP326+HA2326	4-7/16	7-3/32	23-5/8	18-29/32	5-1/2	1-9/16	2-5/32	2-61/64	13-31/32	4.764	1-1/4	UK326+HA2326	P326	71.9
UKP328+H2328	125	200	620	500	140	40	55	75	390	131	M33	UK328+H2328	P328	92.5
UKP328+HA2328	4-15/16	7-7/8	24-13/32	19-11/16	5-1/2	1-9/16	2-5/32	2-61/64	15-32/64	5.158	1-1/4	UK328:HA2328	P328	92.5



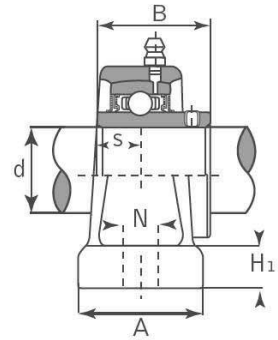
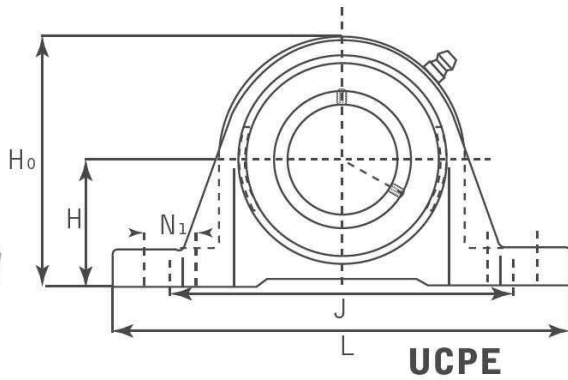


**UCPE**

**UCPE**

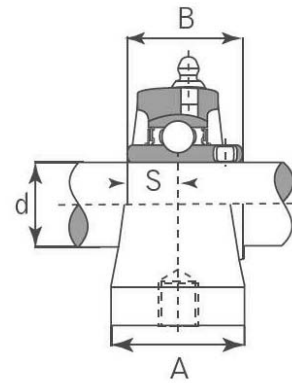
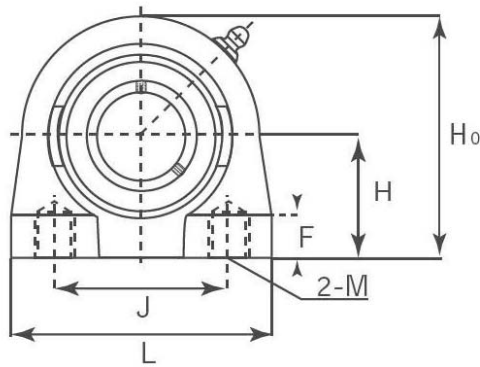
Part No.	Dimension(mm)													Bearing	Housing	Mass
CMB	d	H	L	J	A	N	N1	H1	H0	B	S1	S	Bolt	No.	No.	(kg)
UCPE201	12	33.3	127	95	38	13	19	14	65	44.5	31	12.7	M10	UC201	PE204	0.93
UCPE201-8	1/2	1-5/16	5	3-3/4	1-1/2	1/2	3/4	9/16	2-9/16	1-3/4	1.2205	0.5	3/8	UC201-8	PE204	0.93
UCPE202	15	33.3	127	95	38	13	19	14	65	44.5	31	12.7	M10	UC202	PE204	0.93
UCPE202-9	9/16	1-5/16	5	3-3/4	1-1/2	1/2	3/4	9/16	2-9/16	1-3/4	1.2205	0.5	3/8	UC202-9	PE204	0.93
UCPE202-10	5/8	1-5/16	5	3-3/4	1-1/2	1/2	3/4	9/16	2-9/16	1-3/4	1.2205	0.5	3/8	UC202-10	PE204	0.93
UCPE203	17	33.3	127	95	38	13	19	14	65	44.5	31	12.7	M10	UC203	PE204	0.92
UCPE203-11	11/16	1-5/16	5	3-3/4	1-1/2	1/2	3/4	9/16	2-9/16	1-3/4	1.2205	0.5	3/8	UC203-11	PE204	0.91
UCPE204	20	33.3	127	95	38	13	19	14	65	44.5	31	12.7	M10	UC204	PE204	0.76
UCPE204-12	3/4	1-5/16	5	3-3/4	1-1/2	1/2	3/4	9/16	2-9/16	1-3/4	1.2205	0.5	3/8	UC204-12	PE204	0.76
UCPE205	25	36.5	140	105	38	13	19	15	71	48	34.1	14.3	M10	UC205	PE205	0.94
UCPE205-13	13/16	1-7/16	5-1/2	4-1/8	1-1/2	1/2	3/4	19/32	2-25/32	1-57/64	1.3425	0.563	3/8	UC205-13	PE205	0.98
UCPE205-14	7/8	1-7/16	5-1/2	4-1/8	1-1/2	1/2	3/4	19/32	2-25/32	1-57/64	1.3425	0.563	3/8	UC205-14	PE205	0.96
UCPE205-15	15/16	1-7/16	5-1/2	4-1/8	1-1/2	1/2	3/4	19/32	2-25/32	1-57/64	1.3425	0.563	3/8	UC205-15	PE205	0.95
UCPE205-16	1	1-7/16	5-1/2	4-1/8	1-1/2	1/2	3/4	19/32	2-25/32	1-57/64	1.3425	0.563	3/8	UC205-16	PE205	0.94
UCPE206	30	42.9	160	121	44	17	20	17	84	53	38.1	15.9	M14	UC206	PE206	1.41
UCPE206-17	1-1/16	1-11/16	6-19/64	4-3/4	1-47/64	43/64	25/32	21/32	3-5/16	2-5/64	1.5	0.626	1/2	UC206-17	PE206	1.44
UCPE206-18	1-1/8	1-11/16	6-19/64	4-3/4	1-47/64	43/64	25/32	21/32	3-5/16	2-5/64	1.5	0.626	1/2	UC206-18	PE206	1.43
UCPE206-19	1-3/16	1-11/16	6-19/64	4-3/4	1-47/64	43/64	25/32	21/32	3-5/16	2-5/64	1.5	0.626	1/2	UC206-19	PE206	1.41
UCPE206-20	1-1/4	1-11/16	6-19/64	4-3/4	1-47/64	43/64	25/32	21/32	3-5/16	2-5/64	1.5	0.626	1/2	UC206-20	PE206	1.4
UCPE207	35	47.6	167	127	48	17	20	18	93	59.5	42.9	17.5	M14	UC207	PE207	1.84
UCPE207-20	1-1/4	1-7/8	6-9/16	5	1-7/8	43/64	25/32	45/64	3-21/32	2-11/32	1.689	0.689	1/2	UC207-20	PE207	1.9
UCPE207-21	1-5/16	1-7/8	6-9/16	5	1-7/8	43/64	25/32	45/64	3-21/32	2-11/32	1.689	0.689	1/2	UC207-21	PE207	1.87
UCPE207-22	1-3/8	1-7/8	6-9/16	5	1-7/8	43/64	25/32	45/64	3-21/32	2-11/32	1.689	0.689	1/2	UC207-22	PE207	1.84
UCPE207-23	1-7/16	1-7/8	6-9/16	5	1-7/8	43/64	25/32	45/64	3-21/32	2-11/32	1.689	0.689	1/2	UC207-23	PE207	1.81
UCPE208	40	49.2	184	137	54	17	20	18	100	69	49.2	19	M14	UC208	PE208	2.2
UCPE208-24	1-1/2	1-15/16	7-1/4	5-13/32	2-1/8	43/64	25/32	45/64	3-15/16	2-23/32	1.937	0.748	1/2	UC208-24	PE208	2.24
UCPE208-25	1-9/16	1-15/16	7-1/4	5-13/32	2-1/8	43/64	25/32	45/64	3-15/16	2-23/32	1.937	0.748	1/2	UC208-25	PE208	2.21
UCPE209	45	54	190	146	54	17	20	20	106	69	49.2	19	M14	UC209	PE209	2.52
UCPE209-26	1-5/8	2-1/8	7-15/32	5-3/4	2-1/8	43/64	25/32	25/32	4-11/64	2-23/32	1.937	0.748	1/2	UC209-26	PE209	2.62
UCPE209-27	1-11/16	2-1/8	7-15/32	5-3/4	2-1/8	43/64	25/32	25/32	4-11/64	2-23/32	1.937	0.748	1/2	UC209-27	PE209	2.58
UCPE209-28	1-3/4	2-1/8	7-15/32	5-3/4	2-1/8	43/64	25/32	25/32	4-11/64	2-23/32	1.937	0.748	1/2	UC209-28	PE209	2.52
UCPE210	50	57.2	206	159	60	20	23	21	113	74.5	51.6	19	M16	UC210	PE210	3.1
IUCPE210-29	1-13/16	2-1/4	8-1/8	6-1/4	2-3/8	25/32	29/32	53/64	4-29/64	2-15/16	2.0315	0.748	5/8	UC210-29	PE210	3.22
UCPE210-30	1-7/8	2-1/4	8-1/8	6-1/4	2-3/8	25/32	29/32	53/64	4-29/64	2-15/16	2.0315	0.748	5/8	UC210-30	PE210	3.17
UCPE210-31	1-15/16	2-1/4	8-1/8	6-1/4	2-3/8	25/32	29/32	53/64	4-29/64	2-15/16	2.0315	0.748	5/8	UC210-31	PE210	3.12
UCPE210-32	2	2-1/4	8-1/8	6-1/4	2-3/8	25/32	29/32	53/64	4-29/64	2-15/16	2.0315	0.748	5/8	UC210-32	PE210	3.08
UCPE211	55	63.5	219	171	60	20	23	23	125	76	55.6	22.2	M16	UC211	PE211	3.81
UCPE211-32	2	2-1/2	8-5/8	6-47/64	2-3/8	25/32	29/32	29/32	4-59/64	3	2.189	0.874	5/8	UC211-32	PE211	3.96
UCPE211-33	2-1/16	2-1/2	8-5/8	6-47/64	2-3/8	25/32	29/32	29/32	4-59/64	3	2.189	0.874	5/8	UC211-33	PE211	3.9
UCPE211-34	2-1/8	2-1/2	8-5/8	6-47/64	2-3/8	25/32	29/32	29/32	4-59/64	3	2.189	0.874	5/8	UC211-34	PE211	3.85
UCPE211-35	2-3/16	2-1/2	8-5/8	6-47/64	2-3/8	25/32	29/32	29/32	4-59/64	3	2.189	0.874	5/8	UC211-35	PE211	3.79





Part No.	Dimension(mm)													Bearing	Housing	Mass
CMB	d	H	L	J	A	N	N1	H1	H0	B	S1	S	Bolt	No.	No.	(kg)
UCPE212	60	69.8	241	184	70	20	23	25	138	89	65.1	25.4	M16	UC212	PE212	5.71
UCPE212-36	2-1/4	2-3/4	9-1/2	7-1/4	2-3/4	25/32	29/32	63/64	5-7/16	3-1/2	2.563	1	5/8	UC212-36	PE212	5.84
UCPE212-37	2-5/16	2-3/4	9-1/2	7-1/4	2-3/4	25/32	29/32	63/64	5-7/16	3-1/2	2.563	1	5/8	UC212-37	PE212	5.76
UCPE212-38	2-3/8	2-3/4	9-1/2	7-1/4	2-3/4	25/32	29/32	63/64	5-7/16	3-1/2	2.563	1	5/8	UC212-38	PE212	5.69
UCPE212-39	2-7/16	2-3/4	9-1/2	7-1/4	2-3/4	25/32	29/32	63/64	5-7/16	3-1/2	2.563	1	5/8	UC212-39	PE212	5.62
UCPE213	65	76.2	265	203	70	25	28	27	150	89	65.1	25.4	M20	UC213	PE213	6.02
UCPE213-40	2-1/2	3	10-7/16	8	2-3/4	63/64	1-3/32	1-1/16	5-29/32	3-1/2	2.563	1	3/4	UC213-40	PE213	6.11
UCPE213-41	2-9/16	3	10-7/16	8	2-3/4	63/64	1-3/32	1-1/16	5-29/32	3-1/2	2.563	1	3/4	UC213-41	PE213	6.02
UCPE214	70	79.4	266	210	72	25	28	27	156		74.6	30.2	M20	UC214	PE214	7.17
UCPE214-42	2-5/8	3-1/8	10-15/32	8-17/64	2-27/32	63/64	1-3/32	1-1/16	6-9/64		2.937	1.189	3/4	UC214-42	PE214	7.38
UCPE214-43	2-11/16	3-1/8	10-15/32	8-17/64	2-27/32	63/64	1-3/32	1-1/16	6-9/64		2.937	1.189	3/4	UC214-43	PE214	7.28
UCPE214-44	2-3/4	3-1/8	10-15/32	8-17/64	2-27/32	63/64	1-3/32	1-1/16	6-9/64		2.937	1.189	3/4	UC214-44	PE214	7.18
UCPE215	75	82.6	275	217	74	25	28	28	162		77.8	33.3	M20	UC215	PE215	8.27
UCPE215-45	2-13/16	3-1/4	10-53/64	8-35/64	2-29/32	63/64	1-3/32	1-3/32	6-3/8		3.063	1.311	3/4	UC215-45	PE215	8.52
UCPE215-46	2-7/8	3-1/4	10-53/64	8-35/64	2-29/32	63/64	1-3/32	1-3/32	6-3/8		3.063	1.311	3/4	UC215-46	PE215	8.41
UCPE215-47	2-15/16	3-1/4	10-53/64	8-35/64	2-29/32	63/64	1-3/32	1-3/32	6-3/8		3.063	1.311	3/4	UC215-47	PE215	8.3
UCPE215-48	3	3-1/4	10-53/64	8-35/64	2-29/32	63/64	1-3/32	1-3/32	6-3/8		3.063	1.311	3/4	UC215-48	PE215	8.18
UCPE216	80	88.9	292	232	78	25	28	30	174		82.6	33.3	M20	UC216	PE216	9.46
UCPE216-49	3-1/16	3-1/2	11-1/2	9-1/8	3-1/16	63/64	1-3/32	1-3/16	6-27/32		3.252	1.311	3/4	UC216-49	PE216	9.64
UCPE216-50	3-1/8	3-1/2	11-1/2	9-1/8	3-1/16	63/64	1-3/32	1-3/16	6-27/32		3.252	1.311	3/4	UC216-50	PE216	9.51
UCPE216-51	3-3/16	3-1/2	11-1/2	9-1/8	3-1/16	63/64	1-3/32	1-3/16	6-27/32		3.252	1.311	3/4	UC216-51	PE216	9.38
UCPE217	85	95.2	310	247	83	25	28	32	185		85.7	34.1	M20	UC217	PE217	11.48
UCPE217-52	3-1/4	3-3/4	12-13/64	9-23/32	3-17/64	63/64	1-3/32	1-1/4	7-9/32		3.374	1.343	3/4	UC217-52	PE217	11.7
UCPE217-53	3-5/16	3-3/4	12-13/64	9-23/32	3-17/64	63/64	1-3/32	1-1/4	7-9/32		3.374	1.343	3/4	UC217-53	PE217	11.56
UCPE217-55	3-7/16	3-3/4	12-13/64	9-23/32	3-17/64	63/64	1-3/32	1-1/4	7-9/32		3.374	1.343	3/4	UC217-55	PE217	11.27
UCPE218	90	101.6	327	262	88	27	30	33	198		96	39.7	M22	UC218	PE218	13.96
UCPE218-56	3-1/2	4	12-7/8	10-5/16	3-15/32	1-1/16	1-3/16	1-19/64	7-51/64		3.7795	1.563	7/8	UC218-56	PE218	14.07





**UCPA**

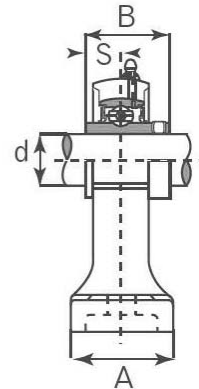
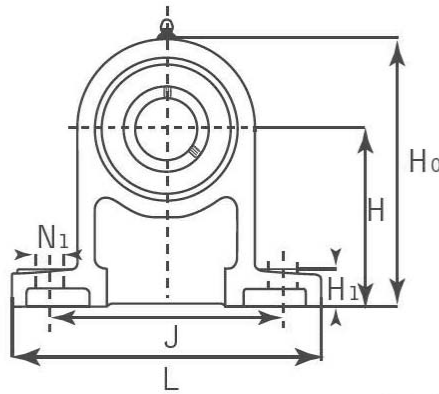
**UCPA**

Part No.	Dimension(mm)											Bearing No.	Housing No.	Mass (kg)
	d	H	L	J	A	N	F	H0	B	S	Bolt			
UCPA201	12	30.2	76	52	40	15	11	62	31	12.7	M10	UC201	PA204	0.6
UCPA201-8	1/2	1-3/16	3	2-3/64	1-9/16	19/32	7/16	2-7/16	1.22	0.5	M10	UC201-8	PA204	0.59
UCPA202	15	30.2	76	52	40	15	11	62	31	12.7	M10	UC202	PA204	0.59
UCPA202-9	9/16	1-3/16	3	2-3/64	1-9/16	19/32	7/16	2-7/16	1.22	0.5	M10	UC202-9	PA204	0.59
UCPA202-10	5/8	1-3/16	3	2-3/64	1-9/16	19/32	7/16	2-7/16	1.22	0.5	M10	UC202-10	PA204	0.59
UCPA203	17	30.2	76	52	40	15	11	62	31	12.7	M10	UC203	PA204	0.58
UCPA203-11	11/16	1-3/16	3	2-3/64	1-9/16	19/32	7/16	2-7/16	1.22	0.5	M10	UC203-11	PA204	0.57
UCPA204	20	30.2	76	52	40	15	11	62	31	12.7	M10	UC204	PA204	0.56
UCPA204-12	3/4	1-3/16	3	2-3/64	1-9/16	19/32	7/16	2-7/16	1.22	0.5	M10	UC204-12	PA204	0.56
UCPA205	25	36.5	84	56	38	15	12	72	34.1	14.3	M10	UC205	PA205	0.83
UCPA20S-13	13/16	1-7/16	3-5/16	2-13/64	1-1/2	19/32	15/32	2-53/64	1.34	0.56	M10	UC205-13	PA205	0.87
UCPA20S-14	7/8	1-7/16	3-5/16	2-13/64	1-1/2	19/32	15/32	2-53/64	1.34	0.56	M10	UC205-14	PA205	0.86
UCPA20S-15	15/16	1-7/16	3-5/16	2-13/64	1-1/2	19/32	15/32	2-53/64	1.34	0.56	M10	UC205-15	PA205	0.84
UCPA20S-16	1	1-7/16	3-5/16	2-13/64	1-1/2	19/32	15/32	2-53/64	1.34	0.56	M10	UC205-16	PA205	0.83
UCPA206	30	42.9	94	66	50	18	12	84	38.1	15.9	M14	UC206	PA206	1.12
UCPA206-17	1-1/16	1-11/16	3-45/64	2-19/32	1-31/32	45/64	15/32	3-5/16	1.5	0.63	M14	UC206-17	PA206	1.15
UCPA206-18	1-1/8	1-11/16	3-45/64	2-19/32	1-31/32	45/64	15/32	3-5/16	1.5	0.63	M14	UC206-18	PA206	1.14
UCPA206-19	1-3/16	1-11/16	3-45/64	2-19/32	1-31/32	45/64	15/32	3-5/16	1.5	0.63	M14	UC206-19	PA206	1.12
UCPA206-20	1-1/4	1-11/16	3-45/64	2-19/32	1-31/32	45/64	15/32	3-5/16	1.5	0.63	M14	UC206-20	PA206	1.11
UCPA207	35	47.6	110	80	55	20	13	95	42.9	17.5	M14	UC207	PA207	1.48
UCPA207-20	1-1/4	1-7/8	4-21/64	3-5/32	2-11/64	25/32	33/64	3-47/64	1.69	0.69	M14	UC207-20	PA207	1.54
UCPA207-21	1-5/16	1-7/8	4-21/64	3-5/32	2-11/64	25/32	33/64	3-47/64	1.69	0.69	M14	UC207-21	PA207	1.51
UCPA207-22	1-3/8	1-7/8	4-21/64	3-5/32	2-11/64	25/32	33/64	3-47/64	1.69	0.69	M14	UC207-22	PA207	1.48
UCPA207-23	1-7/16	1-7/8	4-21/64	3-5/32	2-11/64	25/32	33/64	3-47/64	1.69	0.69	M14	UC207-23	PA207	1.45
UCPA208	40	49.2	116	84	58	20	13	100	49.2	19	M14	UC208	PA208	1.89
UCPA208-24	1-1/2	1-15/16	4-9/16	3-5/16	2-9/32	25/32	33/64	3-15/16	1.94	0.75	M14	UC208-24	PA208	1.93
UCPA208-25	1-9/16	1-15/16	4-9/16	3-5/16	2-9/32	25/32	33/64	3-15/16	1.94	0.75	M14	UC208-25	PA208	1.9
UCPA209	45	54.2	120	90	60	25	13	108	49.2	19	M14	UC209	PA209	1.98
UCPA209-26	1-5/8	2-9/64	4-23/32	3-35/64	2-23/64	63/64	33/64	4-1/4	1.9370	0.75	M14	UC209-26	PA209	2.08
UCPA209-27	1-11/16	2-9/64	4-23/32	3-35/64	2-23/64	63/64	33/64	4-1/4	1.9370	0.75	M14	UC209-27	PA209	2.04
UCPA209-28	1-3/4	2-9/64	4-23/32	3-35/64	2-23/64	63/64	33/64	4-1/4	1.9370	0.75	M14	UC209-28	PA209	2
UCPA210	50	57.2	130	94	64	25	14	116	51.6	19	M16	UC210	PA210	2.16
UCPA210-29	1-13/16	2-1/4	5-1/8	3-45/64	2-33/64	63/64	35/64	4-9/16	2.03	0.75	M16	UC210-29	PA210	2.28
UCPA210-30	1-7/8	2-1/4	5-1/8	3-45/64	2-33/64	63/64	35/64	4-9/16	2.03	0.75	M16	UC210-30	PA210	2.23
UCPA210-31	1-15/16	2-1/4	5-1/8	3-45/64	2-33/64	63/64	35/64	4-9/16	2.03	0.75	M16	UC210-31	PA210	2.18
UCPA210-32	2	2-1/4	5-1/8	3-45/64	2-33/64	63/64	35/64	4-9/16	2.03	0.75	M16	UC210-32	PA210	2.14
UCPA211	55	63.5	140	104	66	25	14	125	55.6	22.2	M16	UC211	PA211	3.26
UCPA211-32	2	2-1/2	5-33/64	4-3/32	2-19/32	63/64	35/64	4-59/64	2.19	0.87	M16	UC211-32	PA211	3.41
UCPA211-33	2-1/16	2-1/2	5-33/64	4-3/32	2-19/32	63/64	35/64	4-59/64	2.19	0.87	M16	UC211-33	PA211	3.35
UCPA211-34	2-1/8	2-1/2	5-33/64	4-3/32	2-19/32	63/64	35/64	4-59/64	2.19	0.87	M16	UC211-34	PA211	3.3
UCPA211-35	2-3/16	2-1/2	5-33/64	4-3/32	2-19/32	63/64	35/64	4-59/64	2.19	0.87	M16	UC211-35	PA211	3.24
UCPA212	60	69.9	150	114	68	25	15	138	65.1	25.4	M16	UC212	PA212	4.19
UCPA212-36	2-1/4	2-3/4	5-29/32	4-31/64	2-43/64	63/64	19/32	5-7/16	2.56	1	M16	UC212-36	PA212	4.32
UCPA212-37	2-5/16	2-3/4	5-29/32	4-31/64	2-43/64	63/64	19/32	5-7/16	2.56	1	M16	UC212-37	PA212	4.24
UCPA212-38	2-3/8	2-3/4	5-29/32	4-31/64	2-43/64	63/64	19/32	5-7/16	2.56	1	M16	UC212-38	PA212	4.17
UCPA212-39	2-7/16	2-3/4	5-29/32	4-31/64	2-43/64	63/64	19/32	5-7/16	2.56	1	M16	UC212-39	PA212	4.1
UCPA213	65	76.2	160	124	70	25	15	150	65.1	25.4	M16	UC213	PA213	5.08
UCPA213-40	2-1/2	3	6-19/64	4-7/8	2-3/4	63/64	19/32	5-29/32	2.56	1	M16	UC213-40	PA213	5.17
UCPA213-41	2-9/16	3	6-19/64	4-7/8	2-3/4	63/64	19/32	5-29/32	2.56	1	M16	UC213-41	PA213	5.08



**Imp. dist. de retenes rodamientos y afines S.A.**

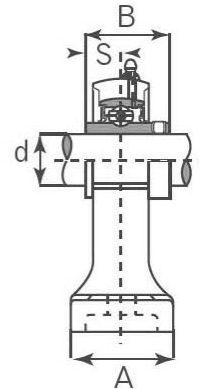
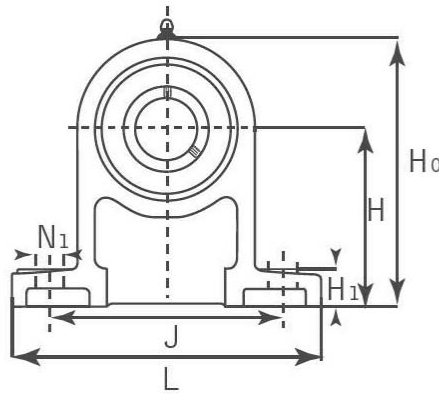
Av. Ramón carcamo 720 Lima 1 - Perú  
 Teléfono: (511) 424 7518 / Fax: (511) 423 4099  
 Nextel: 831\*7611 / 818\*3953



**UCPH**

UCPH															
Part No.	Dimension(mm)												Bearing	Housing	Mass
CMB	d	H	L	J	A	N	N1	H1	H0	B	S	Bolt	No.	No.	(kg)
UCPH201	12	70	127	95	40	13	19	15	101	31	12.7	M10	UC201	PH204	0.81
UCPH201-8	1/2	2-3/4	5	3-3/4	1-9/16	1/2	3/4	19/32	3-63/64	1.22	0.5	3/8	UC201-8	PH204	0.8
UCPH202	15	70	127	95	40	13	19	15	101	31	12.7	M10	UC202	PH204	0.8
UCPH202-9	9/16	2-3/4	5	3-3/4	1-9/16	1/2	3/4	19/32	3-63/64	1.22	0.5	3/8	UC202-9	PH204	0.8
UCPH202-10	5/8	2-3/4	5	3-3/4	1-9/16	1/2	3/4	19/32	3-63/64	1.22	0.5	3/8	UC202-10	PH204	0.8
UCPH203	17	70	127	95	40	13	19	15	101	31	12.7	M10	UC203	PH204	0.79
UCPH203-11	11/16	2-3/4	5	3-3/4	1-9/16	1/2	3/4	19/32	3-63/64	1.22	0.5	3/8	UC203-11	PH204	0.78
UCPH204	20	70	127	95	40	13	19	15	101	31	12.7	M10	UC204	PH204	0.77
UCPH204-12	3/4	2-3/4	5	3-3/4	1-9/16	1/2	3/4	19/32	3-63/64	1.22	0.5	3/8	UC204-12	PH204	0.77
UCPH205	25	80	140	105	50	13	19	16	114	34.1	14.3	M10	UC205	PH205	1.01
UCPH205-13	13/16	3-5/32	5-1/2	4-1/8	1-31/32	1/2	3/4	5/8	4-31/64	1.34	0.56	3/8	UC205-13	PH205	1.05
UCPH205-14	7/8	3-5/32	5-1/2	4-1/8	1-31/32	1/2	3/4	5/8	4-31/64	1.34	0.56	3/8	UC205-14	PH205	1.04
UCPH205-15	15/16	3-5/32	5-1/2	4-1/8	1-31/32	1/2	3/4	5/8	4-31/64	1.34	0.56	3/8	UC205-15	PH205	1.02
UCPH205-16	1	3-5/32	5-1/2	4-1/8	1-31/32	1/2	3/4	5/8	4-31/64	1.34	0.56	3/8	UC205-16	PH205	1.01
UCPH206	30	90	161	121	50	17	21	17	130	38.1	15.9	M14	UC206	PH206	1.47
UCPH206-17	1-1/16	3-35/64	6-11/32	4-3/4	1-31/32	43/64	53/64	43/64	5-1/8	1.5	0.63	1/2	UC206-17	PH206	1.5
UCPH206-18	1-1/8	3-35/64	6-11/32	4-3/4	1-31/32	43/64	53/64	43/64	5-1/8	1.5	0.63	1/2	UC206-18	PH206	1.49
UCPH206-19	1-3/16	3-35/64	6-11/32	4-3/4	1-31/32	43/64	53/64	43/64	5-1/8	1.5	0.63	1/2	UC206-19	PH206	1.47
UCPH206-20	1-1/4	3-35/64	6-11/32	4-3/4	1-31/32	43/64	53/64	43/64	5-1/8	1.5	0.63	1/2	UC206-20	PH206	1.46
UCPH207	35	95	166	127	60	17	21	18	140	42.9	17.5	M14	UC207	PH207	1.91
UCPH207-20	1-1/4	3-47/64	6-17/32	5	2-23/64	43/64	53/64	45/64	5-33/64	1.69	0.69	1/2	UC207-20	PH207	1.97
UCPH207-21	1-5/16	3-47/64	6-17/32	5	2-23/64	43/64	53/64	45/64	5-33/64	1.69	0.69	1/2	UC207-21	PH207	1.94
UCPH207-22	1-3/8	3-47/64	6-17/32	5	2-23/64	43/64	53/64	45/64	5-33/64	1.69	0.69	1/2	UC207-22	PH207	1.91
UCPH207-23	1-7/16	3-47/64	6-17/32	5	2-23/64	43/64	53/64	45/64	5-33/64	1.69	0.69	1/2	UC207-23	PH207	1.88
UCPH208	40	100	178	137	70	17	21	19	150	49.2	19	M14	UC208	PH208	2.52
UCPH208-24	1-1/2	3-15/16	7-1/64	5-13/32	2-3/4	43/64	53/64	3/4	5-29/32	1.94	0.75	1/2	UC208-24	PH208	2.56
UCPH208-25	1-9/16	3-15/16	7-1/64	5-13/32	2-3/4	43/64	53/64	3/4	5-29/32	1.94	0.75	1/2	UC208-25	PH208	2.53
UCPH209	45	105	189	146	70	17	21	20	158	49.2	19	M14	UC209	PH209	2.72
UCPH209-26	1-5/8	4-9/64	7-7/16	5-3/4	2-3/4	43/64	53/64	25/32	6-7/32	1.9370	0.75	1/2	UC209-26	PH209	2.82
UCPH209-27	1-11/16	4-9/64	7-7/16	5-3/4	2-3/4	43/64	53/64	25/32	6-7/32	1.9370	0.75	1/2	UC209-27	PH209	2.78
UCPH209-28	1-3/4	4-9/64	7-7/16	5-3/4	2-3/4	43/64	53/64	25/32	6-7/32	1.9370	0.75	1/2	UC209-28	PH209	2.74
UCPH210	50	110	205	159	70	20	23	21	165	51.6	19	M16	UC210	PH210	3.1
UCPH210-29	1-13/16	4-21/64	8-5/64	6-1/4	2-3/4	25/32	29/32	53/64	6-1/2	2.03	0.75	5/8	UC210-29	PH210	3.22
UCPH210-30	1-7/8	4-21/64	8-5/64	6-1/4	2-3/4	25/32	29/32	53/64	6-1/2	2.03	0.75	5/8	UC210-30	PH210	3.17
UCPH210-31	1-15/16	4-21/64	8-5/64	6-1/4	2-3/4	25/32	29/32	53/64	6-1/2	2.03	0.75	5/8	UC210-31	PH210	3.12
UCPH210-32	2	4-21/64	8-5/64	6-1/4	2-3/4	25/32	29/32	53/64	6-1/2	2.03	0.75	5/8	UC210-32	PH210	3.08
UCPH211	55	120	219	171	75	20	23	22	181	55.6	22.2	M16	UC211	PH211	5.51
UCPH211-32	2	4-23/32	8-5/8	6-47/64	2-61/64	25/32	29/32	55/64	7-1/8	2.19	0.87	5/8	UC211-32	PH211	5.66
UCPH211-33	2-1/16	4-23/32	8-5/8	6-47/64	2-61/64	25/32	29/32	55/64	7-1/8	2.19	0.87	5/8	UC211-33	PH211	5.6

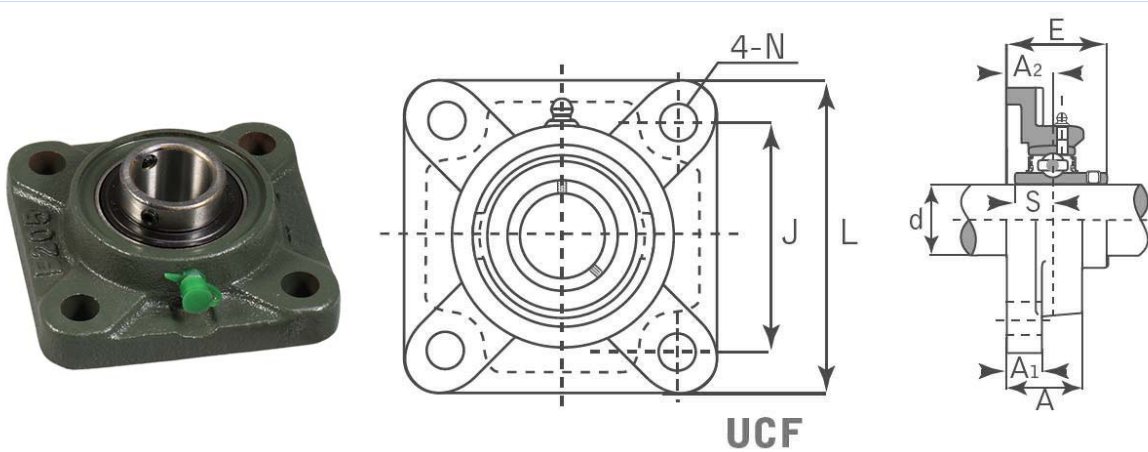




**UCPH**

Part No.	Dimension(mm)												Bearing	Housing	Mass
CMB	d	H	L	J	A	N	N1	H1	H0	B	S	Bolt	No.	No.	(kg)
UCPH211-34	2-1/8	4-23/32	8-5/8	6-47/64	2-61/64	25/32	29/32	55/64	7-1/8	2.19	0.87	5/8	UC211-34	PH211	5.55
UCPH211-35	2-3/16	4-23/32	8-5/8	6-47/64	2-61/64	25/32	29/32	55/64	7-1/8	2.19	0.87	5/8	UC211-35	PH211	5.49
UCPH212	60	130	241	184	85	20	23	25	197	65.1	25.4	M16	UC212	PH212	6.34
UCPH212-36	2-1/4	5-1/8	9-1/2	7-1/4	3-11/32	25/32	29/32	63/64	7-3/4	2.56	1	5/8	UC212-36	PH212	6.47
UCPH212-37	2-5/16	5-1/8	9-1/2	7-1/4	3-11/32	25/32	29/32	63/64	7-3/4	2.56	1	5/8	UC212-37	PH212	6.39
UCPH212-38	2-3/8	5-1/8	9-1/2	7-1/4	3-11/32	25/32	29/32	63/64	7-3/4	2.56	1	5/8	UC212-38	PH212	6.32
UCPH212-39	2-7/16	5-1/8	9-1/2	7-1/4	3-11/32	25/32	29/32	63/64	7-3/4	2.56	1	5/8	UC212-39	PH212	6.25
UCPH213	65	140	265	203	95	25	28	27	212	65.1	25.4	M20	UC213	PH213	7.45
UCPH213-40	2-1/2	5-33/64	10-7/16	8	3-3/4	63/64	1-3/32	1-1/16	8-11/32	2.56	1	3/4	UC213-40	PH213	7.54
UCPH213-41	2-9/16	5-33/64	10-7/16	8	3-3/4	63/64	1-3/32	1-1/16	8-11/32	2.56	1	3/4	UC213-41	PH213	7.45
UCPH214	70	150	266	210	105	25	28	28	225	74.6	30.2	M20	UC214	PH214	8.25
UCPH214-42	2-5/8	5-29/32	10-15/32	8-17/64	5-9/64	63/64	1-3/32	1-7/64	8-55/64	2.94	1.19	3/4	UC214-42	PH214	8.46
UCPH214-43	2-11/16	5-29/32	10-15/32	8-17/64	5-9/64	63/64	1-3/32	1-7/64	8-55/64	2.94	1.19	3/4	UC214-43	PH214	8.36
UCPH214-44	2-3/4	5-29/32	10-15/32	8-17/64	5-9/64	63/64	1-3/32	1-7/64	8-55/64	2.94	1.19	3/4	UC214-44	PH214	8.26
UCPH215	75	160	275	217	115	25	28	29	238	77.8	33.3	M20	UC215	PH215	9.61
UCPH215-45	2-13/16	5-19/64	10-53/64	8-35/64	4-17/32	63/64	1-3/32	1-9/64	9-3/8	3.06	1.31	3/4	UC215-45	PH215	9.85
UCPH215-46	2-7/8	5-19/64	10-53/64	8-35/64	4-17/32	63/64	1-3/32	1-9/64	9-3/8	3.06	1.31	3/4	UC215-46	PH215	9.75
UCPH215-47	2-15/16	5-19/64	10-53/64	8-35/64	4-17/32	63/64	1-3/32	1-9/64	9-3/8	3.06	1.31	3/4	UC215-47	PH215	9.64
UCPH215-48	3	5-19/64	10-53/64	8-35/64	4-17/32	63/64	1-3/32	1-9/64	9-3/8	3.06	1.31	3/4	UC215-48	PH215	9.25
UCPH216	80	170	292	232	125	25	28	30	253	82.6	33.3	M20	UC216	PH216	10.8
UCPH216-49	3-1/16	6-11/16	11-1/2	9-1/8	4-59/64	63/64	1-3/32	1-3/16	9-61/64	3.25	1.31	3/4	UC216-49	PH216	10.98
UCPH216-50	3-1/8	6-11/16	11-1/2	9-1/8	4-59/64	63/64	1-3/32	1-3/16	9-61/64	3.25	1.31	3/4	UC216-50	PH216	10.85
UCPH216-51	3-3/16	6-11/16	11-1/2	9-1/8	4-59/64	63/64	1-3/32	1-3/16	9-61/64	3.25	1.31	3/4	UC216-51	PH216	10.72

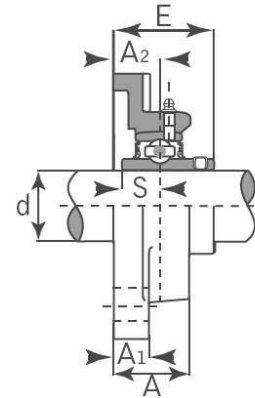
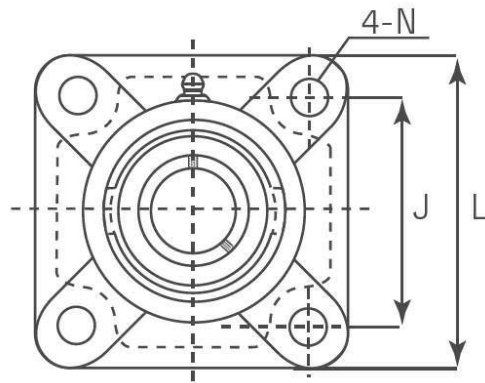




UCF200														
Part No.	Dimension(mm)										Bearing	Housing	Mass	
CMB	d	L	J	A	A1	N	E	B	S	Bolt	No.	No.	(kg)	
UCF201	12	86	64	25.4	12	12	33.3	31	12.7	M10	UC201	F204	0.6	
UCF201-8	1/2	3-3/8	2-33/64	1	15/32	15/32	1-5/16	1.2205	0.5	3/8	UC201-8	F204	0.59	
UCF202	15	86	64	25.45	12	12	33.3	31	12.7	M10	UC202	F204	0.59	
UCF202-9	9/16	3-3/8	2-33/64	1	15/32	15/32	1-5/16	1.2205	0.5	3/8	UC202-9	F204	0.59	
UCF202-10	5/8	3-3/8	2-33/64	1	15/32	15/32	1-5/16	1.2205	0.5	3/8	UC202-10	F204	0.59	
UCF203	17	86	64	25.5	12	12	33.3	31	12.7	M10	UC203	F204	0.58	
UCF203-11	11/16	3-3/8	2-33/64	1	15/32	15/32	1-5/16	1.2205	0.5	3/8	UC203-11	F204	0.57	
UCF204	20	86	64	25.5	12	12	33.3	31	12.7	M10	UC204	F204	0.56	
UCF204-12	3/4	3-3/8	2-33/64	1	15/32	15/32	1-5/16	1.2205	0.5	3/8	UC204-12	F204	0.56	
UCF205	25	95	70	27	14	12	35.8	34.1	14.3	M10	UC205	F205	0.8	
UCF205-13	13/16	3-3/4	2-3/4	1-1/16	35/64	15/32	1-13/32	1.3425	0.563	3/8	UC205-13	F205	0.84	
UCF205-14	7/8	3-3/4	2-3/4	1-1/16	35/64	15/32	1-13/32	1.3425	0.563	3/8	UC205-14	F205	0.83	
UCF205-15	15/16	3-3/4	2-3/4	1-1/16	35/64	15/32	1-13/32	1.3425	0.563	3/8	UC205-15	F205	0.81	
UCF205-15	1	3-3/4	2-3/4	1-1/16	35/64	15/32	1-13/32	1.3425	0.563	3/8	UC205-16	F205	0.8	
UCF206	30	108	83	31	14	12	40.2	38.1	15.9	M10	UC206	F206	1.12	
UCF206-17	1-1/16	4-1/4	3-17/64	1-7/32	35/64	15/32	1-19/32	1.5	0.626	3/8	UC206-17	F206	1.15	
UCF206-18	1-1/8	4-1/4	3-17/64	1-7/32	35/64	15/32	1-19/32	1.5	0.626	3/8	UC206-18	F206	1.14	
UCF206-19	1-3/16	4-1/4	3-17/64	1-7/32	35/64	15/32	1-19/32	1.5	0.626	3/8	UC206-19	F206	1.12	
UCF206-20	1-1/4	4-1/4	3-17/64	1-7/32	35/64	15/32	1-19/32	1.5	0.626	3/8	UC206-20	F206	1.11	
UCF207	35	117	92	34	16	14	44.4	42.9	17.5	M12	UC207	F207	1.46	
UCF207-20	1-1/4	4-39/64	3-5/8	1-11/32	5/8	35/64	1-3/4	1.689	0.689	7/16	UC207-20	F207	1.52	
UCF207-21	1-5/16	4-39/64	3-5/8	1-11/32	5/8	35/64	1-3/4	1.689	0.689	7/16	UC207-21	F207	1.49	
UCF207-22	1-3/8	4-39/64	3-5/8	1-11/32	5/8	35/64	1-3/4	1.689	0.689	7/16	UC207-22	F207	1.46	
UCF207-23	1-7/16	4-39/64	3-5/8	1-11/32	5/8	35/64	1-3/4	1.689	0.689	7/16	UC207-23	F207	1.43	
UCF208	40	130	102	36	16	16	51.2	49.2	19	M14	UC208	F208	1.84	
UCF208-24	1-1/2	5-1/8	4-1/64	1-27/64	5/8	5/8	2-1/64	1.937	0.748	1/2	UC208-24	F208	1.88	
UCF208-25	1-9/16	5-1/8	4-1/64	1-27/64	5/8	5/8	2-1/64	1.937	0.748	1/2	UC208-25	F208	1.85	
UCF209	45	137	105	38	18	16	52.2	49.2	19	M14	UC209	F209	2.15	
UCF209-26	1-5/8	5-13/32	4-9/64	1-1/2	23/32	5/8	2-1/16	1.937	0.748	1/2	UC209-26	F209	2.25	
UCF209-27	1-11/16	5-13/32	4-9/64	1-1/2	23/32	5/8	2-1/16	1.937	0.748	1/2	UC209-27	F209	2.21	
UCF209-28	1-3/4	5-13/32	4-9/64	1-1/2	23/32	5/8	2-1/16	1.937	0.748	1/2	UC209-28	F209	2.17	
UCF210	50	143	111	40	18	16	54.6	51.6	19	M14	UC210	F210	2.42	
UCF210-29	1-13/16	5-5/8	4-3/8	1-9/16	23/32	5/8	2-5/32	2.0315	0.748	1/2	UC210-29	F210	2.54	
UCF210-30	1-7/8	5-5/8	4-3/8	1-9/16	23/32	5/8	2-5/32	2.0315	0.748	1/2	UC210-30	F210	2.49	
UCF210-31	1-15/16	5-5/8	4-3/8	1-9/16	23/32	5/8	2-5/32	2.0315	0.748	1/2	UC210-31	F210	2.44	
UCF210-32	2	5-5/8	4-3/8	1-9/16	23/32	5/8	2-5/32	2.0315	0.748	1/2	UC210-32	F210	2.4	
UCF211	55	162	130	43	20	19	58.4	55.6	22.2	M16	UC211	F211	3.31	
UCF211-32	2	6-3/8	5-1/8	1-11/16	25/32	3/4	2-5/16	2.189	0.874	5/8	UC211-32	F211	3.46	
UCF211-33	2-1/16	6-3/8	5-1/8	1-11/16	25/32	3/4	2-5/16	2.189	0.874	5/8	UC211-33	F211	3.4	
UCF211-34	2-1/8	6-3/8	5-1/8	1-11/16	25/32	3/4	2-5/16	2.189	0.874	5/8	UC211-34	F211	3.35	
UCF211-35	2-3/16	6-3/8	5-1/8	1-11/16	25/32	3/4	2-5/16	2.189	0.874	5/8	UC211-35	F211	3.29	
UCF212	60	175	143	48	20	19	68.7	65.1	25.4	M16	UC212	F212	4.28	
UCF212-36	2-1/4	6-57/64	5-5/8	1-57/64	25/32	3/4	2-45/64	2.563	1	5/8	UC212-36	F212	4.41	
UCF212-37	2-5/16	6-57/64	5-5/8	1-57/64	25/32	3/4	2-45/64	2.563	1	5/8	UC212-37	F212	4.33	
UCF212-38	2-3/8	6-57/64	5-5/8	1-57/64	25/32	3/4	2-45/64	2.563	1	5/8	UC212-38	F212	4.26	
UCF212-39	2-7/16	6-57/64	5-5/8	1-57/64	25/32	3/4	2-45/64	2.563	1	5/8	UC212-39	F212	4.19	
UCF213	65	187	149	50	22	19	69.7	65.1	25.4	M16	UC213	F213	4.99	
UCF213-40	2-1/2	7-23/64	5-55/64	1-31/32	55/64	3/4	2-3/4	2.563	1	5/8	UC213-40	F213	5.08	







**UCF**

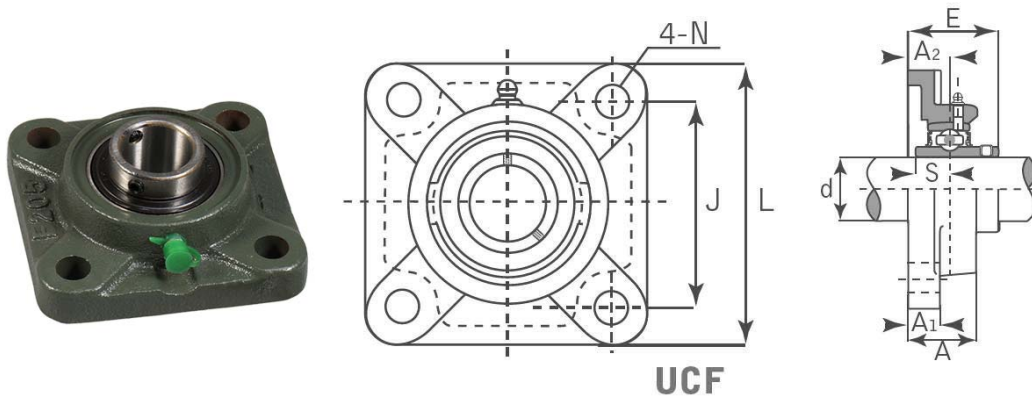
Part No.	Dimension(mm)										Bearing No.	Housing No.	Mass (kg)
	CMB	d	L	J	A	A1	N	E	B	S			
UCF213-41	2-9/16	7-23/64	5-55/64	1-31/32	55/64	3/4	2-3/4	2.563	1	5/8	UC213-41	F213	4.99
UCF214	70	193	152	54	22	19	75.4	74.6	30.2	M16	UC214	F214	5.85
UCF214-42	2-5/8	7-19/32	5-63/64	2-1/8	55/64	3/4	2-31/32	2.937	1.189	5/8	UC214-42	F214	6.06
UCF214-43	2-11/16	7-19/32	5-63/64	2-1/8	55/64	3/4	2-31/32	2.937	1.189	5/8	UC214-43	F214	5.96
UCF214-44	2-3/4	7-19/32	5-63/64	2-1/8	55/64	3/4	2-31/32	2.937	1.189	5/8	UC214-44	F214	5.86
UCF215	75	200	159	56	22	19	78.5	77.8	33.3	M16	UC215	F215	6.91
UCF215-45	2-13/16	7-7/8	6-17/64	2-7/32	55/64	3/4	3-3/32	3.063	1.311	5/8	UC215-45	F215	7.16
UCF215-46	2-7/8	7-7/8	6-17/64	2-7/32	55/64	3/4	3-3/32	3.063	1.311	5/8	UC215-46	F215	7.05
UCF215-47	2-15/16	7-7/8	6-17/64	2-7/32	55/64	3/4	3-3/32	3.063	1.311	5/8	UC215-47	F215	6.94
UCF215-48	3	7-7/8	6-17/64	2-7/32	55/64	3/4	3-3/32	3.063	1.311	5/8	UC215-48	F215	6.82
UCF216	80	208	165	58	22	23	83.3	82.6	33.3	M20	UC216	F216	7.5
UCF216-49	3-1/16	8-3/16	6-1/2	2-9/32	55/64	29/32	3-9/32	3.252	1.311	3/4	UC216-49	F216	7.68
UCF216-50	3-1/8	8-3/16	6-1/2	2-9/32	55/64	29/32	3-9/32	3.252	1.311	3/4	UC216-50	F216	7.55
UCF216-51	3-3/16	8-3/16	6-1/2	2-9/32	55/64	29/32	3-9/32	3.252	1.311	3/4	UC216-51	F216	7.42
UCF217	85	220	175	63	24	23	87.6	85.7	34.1	M20	UC217	F217	9.66
UCF217-52	3-1/4	8-21/23	6-57/64	2-15/32	15/16	29/32	3-7/16	3.374	1.343	3/4	UC217-52	F217	9.88
UCF217-53	3-5/16	8-21/23	6-57/64	2-15/32	15/16	29/32	3-7/16	3.374	1.343	3/4	UC217-53	F217	9.74
UCF217-55	3-7/16	8-21/23	6-57/64	2-15/32	15/16	29/32	3-7/16	3.374	1.343	3/4	UC217-55	F217	9.45
UCF218	90	235	187	68	24	23	96.3	96	39.7	M20	UC218	F218	12.06
UCF218-56	3-1/2	9-1/4	7-23/64	2-11/16	15/16	29/32	3-25/32	3.7795	1.563	3/4	UC218-56	F218	12.17

1

**UCF300**

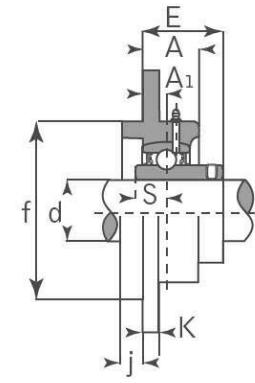
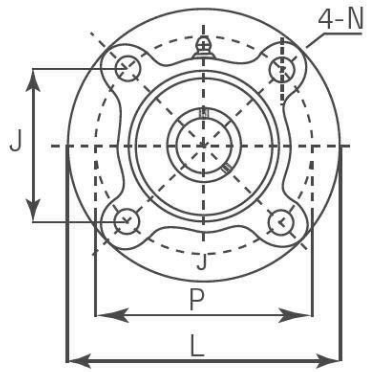
Part No.	Dimension(mm)										Bearing No.	Housing No.	Mass (kg)
	CMB	d	L	J	A	A1	N	E	B	S			
UCF305	25	110	80	16	13	16	39	38	15	M14	UC305	F305	1.1
UCF305-13	13/16	4-11/32	3-5/32	5/8	1/2	5/8	1-17/32	1.4961	0.59	1/2	UC305-13	F305	1.1
UCF305-14	7/8	4-11/32	3-5/32	5/8	1/2	5/8	1-17/32	1.4961	0.59	1/2	UC305-14	F305	1.1
UCF305-15	15/16	4-11/32	3-5/32	5/8	1/2	5/8	1-17/32	1.4961	0.59	1/2	UC305-15	F305	1.1
UCF305-16	1	4-11/32	3-5/32	5/8	1/2	5/8	1-17/32	1.4961	0.59	1/2	UC305-16	F305	1.1
UCF306	30	125	95	18	15	16	44	43	17	M14	UC306	F306	1.6
UCF306-17	1-1/16	4-29/32	3-37/64	45/64	19/32	5/8	1-47/64	1.6929	0.669	1/2	UC306-17	F306	1.6
UCF306-18	1-1/8	4-29/32	3-37/64	45/64	19/32	5/8	1-47/64	1.6929	0.669	1/2	UC306-18	F306	1.6
UCF306-19	1-3/16	4-29/32	3-37/64	45/64	19/32	5/8	1-47/64	1.6929	0.669	1/2	UC306-19	F306	1.6
UCF307	35	135	100	20	16	19	49	48	19	M16	UC307	F307	2
UCF307-20	1-1/4	5-5/16	3-15/16	25/32	5/8	3/4	1-59/64	1.8898	0.748	5/8	UC307-20	F307	2
UCF307-21	1-5/16	5-5/16	3-15/16	25/32	5/8	3/4	1-59/64	1.8898	0.748	5/8	UC307-21	F307	2
UCF307-22	1-3/8	5-5/16	3-15/16	25/32	5/8	3/4	1-59/64	1.8898	0.748	5/8	UC307-22	F307	2
UCF307-23	1-7/16	5-5/16	3-15/16	25/32	5/8	3/4	1-59/64	1.8898	0.748	5/8	UC307-23	F307	2
UCF308	40	150	112	23	17	19	56	52	19	M16	UC308	F308	2.7
UCF308-24	1-1/2	5-29/32	4-13/32	29/32	21/32	3/4	2-13/64	2.0472	0.748	5/8	UC308-24	F308	2.7
UCF308-25	1-9/16	5-29/32	4-13/32	29/32	21/32	3/4	2-13/64	2.0472	0.748	5/8	UC308-25	F308	2.7
UCF309	45	160	125	25	18	19	60	57	22	M16	UC309	F309	3.4
UCF309-26	1-5/8	6-5/16	4-59/64	63/64	23/32	3/4	2-23/64	2.2441	0.866	5/8	UC309-26	F309	3.4
UCF309-27	1-11/16	6-5/16	4-59/64	63/64	23/32	3/4	2-23/64	2.2441	0.866	5/8	UC309-27	F309	3.4
UCF309-28	1-3/4	6-5/16	4-59/64	63/64	23/32	3/4	2-23/64	2.2441	0.866	5/8	UC309-28	F309	3.4
UCF310	50	175	132	28	19	23	67	61	22	M20	UC310	F310	4.5
UCF310-29	1-13/16	6-7/8	5-13/64	1-7/64	3/4	29/32	2-41/64	2.4016	0.866	3/4	UC310-29	F310	4.5
UCF310-30	1-7/8	6-7/8	5-13/64	1-7/64	3/4	29/32	2-41/64	2.4016	0.866	3/4	UC310-30	F310	4.5
UCF310-31	1-15/16	6-7/8	5-13/64	1-7/64	3/4	29/32	2-41/64	2.4016	0.866	3/4	UC310-31	F310	4.5





Part No.	Dimension(mm)										Bearing	Housing	Mass
CMB	d	L	J	A	A1	N	E	B	S	Bolt	No.	No.	(kg)
UCF311	55	185	140	30	20	23	71	66	25	M20	UC311	F311	5.5
UCF311-32	2	7-9/32	5-33/64	1-3/16	25/32	29/32	2-51/64	2.5984	0.948	3/4	UC311-32	F311	5.5
UCF311-33	2-1/16	7-9/32	5-33/64	1-3/16	25/32	29/32	2-51/64	2.5984	0.948	3/4	UC311-33	F311	5.5
UCF311-34	2-1/8	7-9/32	5-33/64	1-3/16	25/32	29/32	2-51/64	2.5984	0.948	3/4	UC311-34	F311	5.5
UCF311-35	2-3/16	7-9/32	5-33/64	1-3/16	25/32	29/32	2-51/64	2.5984	0.948	3/4	UC311-35	F311	5.5
UCF312	60	195	150	33	22	23	78	71	26	M20	UC312	F312	6.5
Part No.	Dimension(mm)										Bearing	Housing	Mass
CMB	d	L	J	A	A1	N	E	B	S	Bolt	No.	No.	(kg)
UCF312-36	2-1/4	7-11/16	5-29/32	1-19/64	7/8	29/32	3-5/64	2.7953	1.024	3/4	UC312-36	F312	6.5
UCF312-37	2-5/16	7-11/16	5-29/32	1-19/64	7/8	29/32	3-5/64	2.7953	1.024	3/4	UC312-37	F312	6.5
UCF312-38	2-3/8	7-11/16	5-29/32	1-19/64	7/8	29/32	3-5/64	2.7953	1.024	3/4	UC312-38	F312	6.5
UCF312-39	2-7/16	7-11/16	5-29/32	1-19/64	7/8	29/32	3-5/64	2.7953	1.024	3/4	UC312-39	F312	6.5
UCF313	65	208	166	33	22	23	78	75	30	M20	UC313	F313	7.9
UCF313-40	2-1/2	8-3/16	6-17/32	1-19/64	55/64	29/32	3-5/64	2.9528	1.818	3/4	UC313-40	F313	7.9
UCF313-41	2-9/16	8-3/16	6-17/32	1-19/64	55/64	29/32	3-5/64	2.9528	1.818	3/4	UC313-41	F313	7.9
UCF314	70	226	178	36	25	25	81	78	33	M22	UC314	F314	9.5
UCF314-42	2-5/8	8-29/32	6-1/64	1-27/64	31/32	63/64	3-3/16	3.0708	1.299	7/8	UC314-42	F314	9.5
UCF314-43	2-11/16	8-29/32	6-1/64	1-27/64	31/32	63/64	3-3/16	3.0708	1.299	7/8	UC314-43	F314	9.5
UCP314-44	2-3/4	8-29/32	6-1/64	1-27/64	31/32	63/64	3-3/16	3.0708	1.299	7/8	UC314-44	F314	9.5
UCF315	75	236	184	39	25	25	89	82	32	M22	UC315	F315	1.2
UCF315-45	2-13/16	9-19/32	7-1/4	1-17/32	31/32	63/64	3-1/2	3.2283	1.26	7/8	UC315-45	F315	1.2
UCF315-46	2-7/8	9-19/32	7-1/4	1-17/32	31/32	63/64	3-1/2	3.2283	1.26	7/8	UC315-46	F315	1.2
UCF315-47	2-15/16	9-19/32	7-1/4	1-17/32	31/32	63/64	3-1/2	3.2283	1.26	7/8	UC315-47	F315	1.2
UCF315-48	3	9-19/32	7-1/4	1-17/32	31/32	63/64	3-1/2	3.2283	1.26	7/8	UC315-48	F315	1.2
UCF316	80	250	196	38	27	31	90	86	34	M27	UC316	F316	14
UCF316-49	3-1/16	9-27/32	7-23/32	1-1/2	1-1/16	1-7/32	3-35/64	3.3858	1.339	1	UC316-49	F316	14
UCF316-50	3-1/8	9-27/32	7-23/32	1-1/2	1-1/16	1-7/32	3-35/64	3.3858	1.339	1	UC316-50	F316	14
UCF316-51	3-3/16	9-27/32	7-23/32	1-1/2	1-1/16	1-7/32	3-35/64	3.3858	1.339	1	UC316-51	F316	14
UCF317	85	260	204	44	27	31	100	96	40	M27	UC317	F317	16
UCF317-52	3-1/4	10-1/4	8-1/32	1-47/64	1-1/16	1-7/32	3-15/16	3.7795	1.575	1	UC317-52	F317	16
UCF317-53	3-5/16	10-1/4	8-1/32	1-47/64	1-1/16	1-7/32	3-15/16	3.7795	1.575	1	UC317-53	F317	16
UCF317-55	3-7/16	10-1/4	8-1/32	1-47/64	1-1/16	1-7/32	3-15/16	3.7795	1.575	1	UC317-55	F317	16
UCF318	90	280	216	44	30	35	100	96	40	M30	UC318	F318	19
UCF318-55	3-7/16	11-1/32	8-1/2	1-47/64	1-3/16	1-3/8	3-15/16	3.7795	1.575	1-1/8	UC318-55	F318	19
UCF318-56	3-1/2	11-1/32	8-1/2	1-47/64	1-3/16	1-3/8	3-15/16	3.7795	1.575	1-1/8	UC318-56	F318	19
UCF319	95	290	228	59	30	35	121	103	41	M30	UC319	F319	22
UCF319-58	3-5/8	11-13/32	8-31/32	2-21/64	1-3/16	1-3/8	4-49/64	4.0551	1.614	1-1/8	UC319-58	F319	22
UCF319-59	3-11/16	11-13/32	8-31/32	2-21/64	1-3/16	1-3/8	4-49/64	4.0551	1.614	1-1/8	UC319-59	F319	22
UCF319-60	3-3/4	11-13/32	8-31/32	2-21/64	1-3/16	1-3/8	4-49/64	4.0551	1.614	1-1/8	UC319-60	F319	22
UCF320	100	310	242	59	32	38	125	108	42	M33	UC320	F320	26
UCF320-64	12-7/32	12-7/32	9-17/32	2-21/64	1-1/4	1-1/2	4-29/32	4.252	1.654	1-1/4	UC320-64	F320	26
UCF322	110	340	266	60	35	41	131	117	46	M36	UC322	F322	38
UCF322	110	13-3/8	10-15/32	2-23/64	1-3/8	1-39/64	5-5/32	4.6063	1.811	M36	UC322	F322	38
UCF324	120	370	290	65	40	41	140	126	51	M36	UC324	F324	50
UCF324	120	14-9/16	11-27/64	2-9/16	1-9/16	1-39/64	5-1/2	4.9606	2.0079	M36	UC324	F324	50
UCF326	130	410	320	65	45	41	146	135	54	M36	UC326	F326	66
UCF326	130	16-5/32	12-19/32	2-9/16	1-25/32	1-39/64	5-3/4	5.315	2.126	M36	UC326	F326	66
UCF328	140	450	350	75	55	41	161	145	59	M36	UC328	F328	90
UCF328	140	17-23/32	13-25/32	2-61/64	2-5/32	1-39/64	6-11/32	5.7086	2.3228	M36	UC328	F328	90





**UCFC**

**UCFC200**

Part No.	Dimension(mm)																Bearing No.	Housing No.	Mass (kg)
	CMB	d	L	P	J	A1	N	j	K	A	f	E	t	B	S	Bolt			
UCFC201	12	100	78	55.1	10	12	5	7	20.5	62	28.3	32.5	31	12.7	M10	UC201	FC204	0.73	
UCFC201-8	1/2	3-15/16	3-5/64	2-11/64	25/64	15/32	13/64	9/32	13/16	2.4409	1-1/8	1-9/32	1.2205	0.5	3/8	UC201-8	FC204	0.72	
UCFC202	15	100	78	55.1	10 25/64	12 15/32	5 13/64	7 9/32	20.5	62	28.3	32.5	31	12.7	M10	UC202	FC204	0.72	
UCFC202-9	9/16	3-15/16	3-5/64	2-11/64	25/64	15/32	13/64	9/32	13/16	2.4409	1-1/8	1-9/32	1.2205	0.5	3/8	UC202-9	FC204	0.72	
UCFC202-10	5/8	3-15/16	3-5/64	2-11/64	25/64	15/32	13/64	9/32	13/16	2.4409	1-1/8	1-9/32	1.2205	0.5	3/8	UC202-10	FC204	0.72	
UCFC203	17	100	78	55.1	10	12	5	7	20.5	62	28.3	32.5	31	12.7	M10	UC203	FC204	0.71	
UCFC203-11	11/16	3-15/16	3-5/64	2-11/64	25/64	15/32	13/64	9/32	13/16	2.4409	1-1/8	1-9/32	1.2205	0.5	3/8	UC203-11	FC204	0.7	
UCFC204	20	100	78	55.1	10	12	5	7	20.5	62	28.3	32.5	31	12.7	M10	UC204	FC204	0.69	
UCFC204-12	3/4	3-15/16	3-5/64	2-11/64	25/64	15/32	13/64	9/32	13/16	2.4409	1-1/8	1-9/32	1.2205	0.5	3/8	UC204-12	FC204	0.69	
UCFC205	25	115	90	63.6	10	12	6	7	21	70	29.8	34	34.1	14.3	M10	UC205	FC205	1	
UCFC205-13	13/16	4-17/32	3-35/64	2-1/2	25/64	15/32	15/64	9/32	53/64	2.7559	1-11/64	1-11/32	1.3425	0.563	3/8	UC205-13	FC205	1.04	
UCFC205-14	7/8	4-17/32	3-35/64	2-1/2	25/64	15/32	15/64	9/32	53/64	2.7559	1-11/64	1-11/32	1.3425	0.563	3/8	UC205-14	FC205	1.03	
UCFC205-15	15/16	4-17/32	3-35/64	2-1/2	25/64	15/32	15/64	9/32	53/64	2.7559	1-11/64	1-11/32	1.3425	0.563	3/8	UC205-15	FC205	1.01	
UCFC205-16	1	4-17/32	3-35/64	2-1/2	25/64	15/32	15/64	9/32	53/64	2.7559	1-11/64	1-11/32	1.3425	0.563	3/8	UC205-16	FC205	1	
UCFC206	30	125	100	70.7	10	12	8	8	23	80	32.2	36.5	38.1	15.9	M10	UC206	FC206	1.3	
UCFC206-17	1-1/16	4-59/64	3-15/16	2-25/32	25/64	15/32	5/16	5/16	29/32	3.1496	1-17/64	1-7/16	1.5	0.626	3/8	UC206-17	FC206	1.31	
UCFC206-18	1-1/8	4-59/64	3-15/16	2-25/32	25/64	15/32	5/16	5/16	29/32	3.1496	1-17/64	1-7/16	1.5	0.626	3/8	UC206-18	FC206	1.32	
UCFC206-19	1-1/16	4-59/64	3-15/16	2-25/32	25/64	15/32	5/16	5/16	29/32	3.1496	1-17/64	1-7/16	1.5	0.626	3/8	UC206-19	FC206	1.3	
UCFC206-20	1-1/4	4-59/64	3-15/16	2-25/32	25/64	15/32	5/16	5/16	29/32	3.1496	1-17/64	1-7/16	1.5	0.626	3/8	UC206-20	FC206	1.29	
UCFC207	35	135	110	77.8	11	14	8	9	26	90	36.4	41	42.9	17.5	M12	UC207	FC207	1.81	
UCFC207-20	1-1/4	5-5/16	4-21/64	3-1/16	7/16	35/64	5/16	23/64	1-1/32	3.5433	1-7/16	1-5/8	1.689	0.689	7/16	UC207-20	FC207	1.87	
UCFC207-21	1-5/16	5-5/16	4-21/64	3-1/16	7/16	35/64	5/16	23/64	1-1/32	3.5433	1-7/16	1-5/8	1.689	0.689	7/16	UC207-21	FC207	1.84	
UCFC207-22	1-3/8	5-5/16	4-21/64	3-1/16	7/16	35/64	5/16	23/64	1-1/32	3.5433	1-7/16	1-5/8	1.689	0.689	7/16	UC207-22	FC207	1.81	
UCFC207-23	1-7/16	5-5/16	4-21/64	3-1/16	7/16	35/64	5/16	23/64	1-1/32	3.5433	1-7/16	1-5/8	1.689	0.689	7/16	UC207-23	FC207	1.78	
UCFC208	40	145	120	84.8	11	14	10	9	26	100	41.2	45.5	49.2	19	M12	UC208	FC208	2.14	
UCFC208-24	1-1/2	5-45/64	4-23/32	3-11/32	7/16	35/64	25/64	23/64	1-1/32	3.937	1-5/8	1-51/64	1.937	0.748	7/16	UC208-24	FC208	2.18	
UCFC208-25	1-9/16	5-45/64	4-23/32	3-11/32	7/16	35/64	25/64	23/64	1-1/32	3.937	1-5/8	1-51/64	1.937	0.748	7/16	UC208-25	FC208	2.15	
UCFC209	45	160	132	93.3	10	16	12	14	26	105	40.2	44.5	49.2	19	M14	UC209	FC209	2.68	
UCFC209-26	1-5/8	6-19/64	5-13/64	3-43/64	25/64	5/8	15/32	35/64	1-1/32	4.1339	1-37/64	1-3/4	1.937	0.748	1/2	UC209-26	FC209	2.78	
UCFC209-27	1-11/16	6-19/64	5-13/64	3-43/64	25/64	5/8	15/32	35/64	1-1/32	4.1339	1-37/64	1-3/4	1.937	0.748	1/2	UC209-27	FC209	2.74	



**Imp. dist. de retenes rodamientos y afines S.A.**

Av. Ramón carcamo 720 Lima 1 - Perú  
 Teléfono: (511) 424 7518 / Fax: (511) 423 4099  
 Nextel: 831\*7611 / 818\*3953

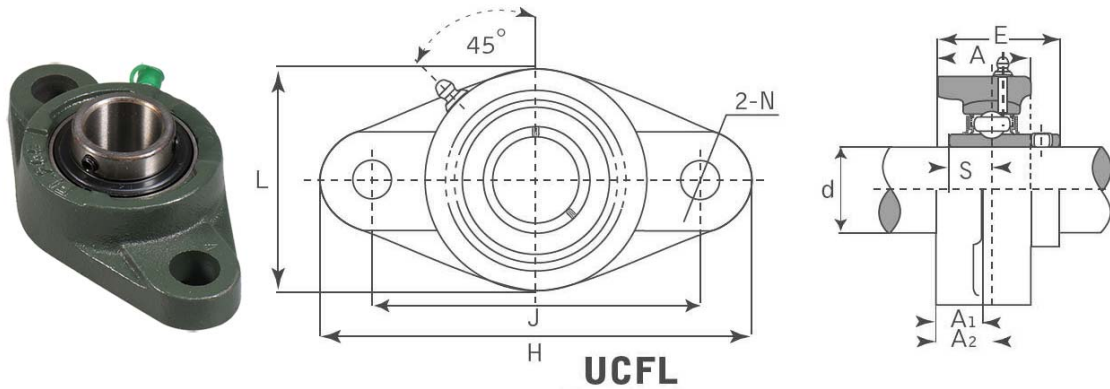
**Bearing with flange units-UCFC**

Part No.	Dimension(mm)															Bearing	Housing	Mass
CMB	d	L	P	J	A1	N	j	K	A	f	E	t	B	S	Bolt	No.	No.	(kg)
UCFC209-28	1-3/4	6-19/64	5-13/64	3-43/64	25/64	5/8	15/32	35/64	1-1/32	4.1339	1-37/64	1-3/4	1.937	0.748	1/2	UC209-28	FC209	2.7
UCFC210	50	165	138	97.6	10	16	12	14	28	110	42.6	47.5	51.6	19	M14	UC210	FC210	2.9
UCFC210-29	1-13/16	6-1/2	5-7/16	3-27/32	25/64	5/8	15/32	35/64	1-7/64	4.3307	1-11/16	1-7/8	2.0315	0.748	1/2	UC210-29	FC210	3.02
UCFC210-30	1-7/8	6-1/2	5-7/16	3-27/32	25/64	5/8	15/32	35/64	1-7/64	4.3307	1-11/16	1-7/8	2.0315	0.748	1/2	UC210-30	FC210	2.97
UCFC210-31	1-15/16	6-1/2	5-7/16	3-27/32	25/64	5/8	15/32	35/64	1-7/64	4.3307	1-11/16	1-7/8	2.0315	0.748	1/2	UC210-31	FC210	2.92
UCFC210-32	2	6-1/2	5-7/16	3-27/32	25/64	5/8	15/32	35/64	1-7/64	4.3307	1-11/16	1-7/8	2.0315	0.748	1/2	UC2 10-32	FC210	2.88
UCFC211	55	185	150	106.1	13	19	12	15	31	125	46.4	51	55.6	22.2	M16	UC211	FC211	4.01
UCFC211-32	2	7-9/32	5-29/32	4-3/16	33/64	3/4	15/32	19/32	1-7/32	4.9213	1-53/64	2-1/64	2.189	0.874	5/8	UC211-32	FC211	4.16
UCFC211-33	2-1/16	7-9/32	5-29/32	4-3/16	33/64	3/4	15/32	19/32	1-7/32	4.9213	1-53/64	2-1/64	2.189	0.874	5/8	UC211-33	FC211	4.1
UCFC211-34	2-1/8	7-9/32	5-29/32	4-3/16	33/64	3/4	15/32	19/32	1-7/32	4.9213	1-53/64	2-1/64	2.189	0.874	5/8	UC211-34	FC211	4.05
UCFC211-35	2-3/16	7-9/32	5-29/32	4-3/16	33/64	3/4	15/32	19/32	1-7/32	4.9213	1-53/64	2-1/64	2.189	0.874	5/8	UC211-35	FC211	3.99
UCFC212	60	195	160	113.1	17	19	12	15	36	135	56.7	61.5	65.1	25.4	M16	UC212	FC212	4.94
UCFC212-36	2-1/4	7-11/16	6-19/64	4-29/64	43/64	3/4	15/32	19/32	1-27/64	5.315	2-15/64	2-27/64	2.563	1	5/8	UC212-36	FC212	5.07
UCFC212-37	2-5/16	7-11/16	6-19/64	4-29/64	43/64	3/4	15/32	19/32	1-27/64	5.315	2-15/64	2-27/64	2.563	1	5/8	UC212-37	FC212	4.99
UCFC212-38	2-3/8	7-11/16	6-19/64	4-29/64	43/64	3/4	15/32	19/32	1-27/64	5.315	2-15/64	2-27/64	2.563	1	5/8	UC212-38	FC212	4.92
UCFC212-39	2-7/16	7-11/16	6-19/64	4-29/64	43/64	3/4	15/32	19/32	1-27/64	5.315	2-15/64	2-27/64	2.563	1	5/8	UC212-39	FC212	4.85
UCFC213	65	205	170	120.2	16	19	14	15	36	145	55.7	60.5	65.1	25.4	M16	UC213	FC213	5.65
UCFC213-40	2-1/2	8-5/64	6-11/16	4-47/64	5/8	3/4	35/64	19/32	1-27/64	5.5118	1-3/16	2-25/64	2.563	1	5/8	UC213-40	FC213	5.74
UCFC213-41	2-9/16	8-5/64	6-11/16	4-47/64	5/8	3/4	35/64	19/32	1-27/64	5.5118	1-3/16	2-25/64	2.563	1	5/8	UC213-41	FC213	5.65
UCFC214	70	215	177	125.1	17	19	14	18	40	150	61.4		74.6	30.2	M16	UC214	FC214	6.95
UCFC214-42	2-5/8	8-15/32	6-31/32	4-59/64	43/64	3/4	35/64	23/32	1-37/64	5.9055	1-13/32		2.937	1.189	5/8	UC214-42	FC214	7.16
UCFC214-43	2-11/16	8-15/32	6-31/32	4-59/64	43/64	3/4	35/64	23/32	1-37/64	5.9055	1-13/32		2.937	1.189	5/8	UC214-43	FC214	7.06
UCFC214-44	2-3/4	8-15/32	6-31/32	4-59/64	43/64	3/4	35/64	23/32	1-37/64	5.9055	1-13/32		2.937	1.189	5/8	UC214-44	FC214	6.96
UCFC215	75	220	184	130.1	18	19	16	18	40	160	62.5		77.8	33.3	M16	UC215	FC215	7.56
UCFC215-45	2-13/16	8-21/32	7-1/4	5-1/8	23/32	3/4	5/8	23/32	1-37/64	6.2992	2-15/32		3.063	1.311	5/8	UC215-45	FC215	7.81
UCFC215-46	2-7/8	8-21/32	7-1/4	5-1/8	23/32	3/4	5/8	23/32	1-37/64	6.2992	2-15/32		3.063	1.311	5/8	UC215-46	FC215	7.7
UCFC215-47	2-15/16	8-21/32	7-1/4	5-1/8	23/32	3/4	5/8	23/32	1-37/64	6.2992	2-15/32		3.063	1.311	5/8	UC215-47	FC215	7.59
UCFC215-48	3	8-21/32	7-1/4	5-1/8	23/32	3/4	5/8	23/32	1-37/64	6.2992	2-15/32		3.063	1.311	5/8	UC215-48	FC215	7.47
UCFC216	80	240	200	141.4	18	23	16	18	42	170	67.3		82.6	33.3	M20	UC216	FC216	9.15
UCFC216-49	3-1/16	9-29/64	7-7/8	5-9/16	23/32	29/32	5/8	23/32	1-21/32	6.6929	2-21/32		3.252	1.311	3/4	UC216-49	FC216	9.28
UCFC216-50	3-1/8	9-29/64	7-7/8	5-9/16	23/32	29/32	5/8	23/32	1-21/32	6.6929	2-21/32		3.252	1.311	3/4	UC216-50	FC216	9.2
UCFC216-51	3-3/16	9-29/64	7-7/8	5-9/16	23/32	29/32	5/8	23/32	1-21/32	6.6929	2-21/32		3.252	1.311	3/4	UC216-51	FC216	9.07
UCFC217	85	250	208	147.1	18	23	18	20	45	180	69.6		85.7	34.1	M20	UC217	FC217	10.81
UCFC217-52	3-1/4	9-27/32	8-3/16	5-51/64	23/32	29/32	23/32	25/32	1-25/32	7.0866	2-3/4		3.374	1.343	3/4	UC217-52	FC217	11.03
UCFC217-53	3-5/16	9-27/32	8-3/16	5-51/64	23/32	29/32	23/32	25/32	1-25/32	7.0866	2-3/4		3.374	1.343	3/4	UC217-53	FC217	10.89
UCFC217-55	3-7/16	9-27/32	8-3/16	5-51/64	23/32	29/32	23/32	25/32	1-25/32	7.0866	2-3/4		3.374	1.343	3/4	UC217-55	FC217	10.6
UCFC218	90	265	220	155.5	22	23	18	20	50	190	78.3		96	39.7	M20	UC218	FC218	12.96
UCFC218-56	3-1/2	10-7/16	8-21/32	6-1/8	22 55/64	29/32	23/32	25/32	1-31/32	7.4803	3-3/32		3.7795	1.563	3/4	UC218-56	FC218	13.07



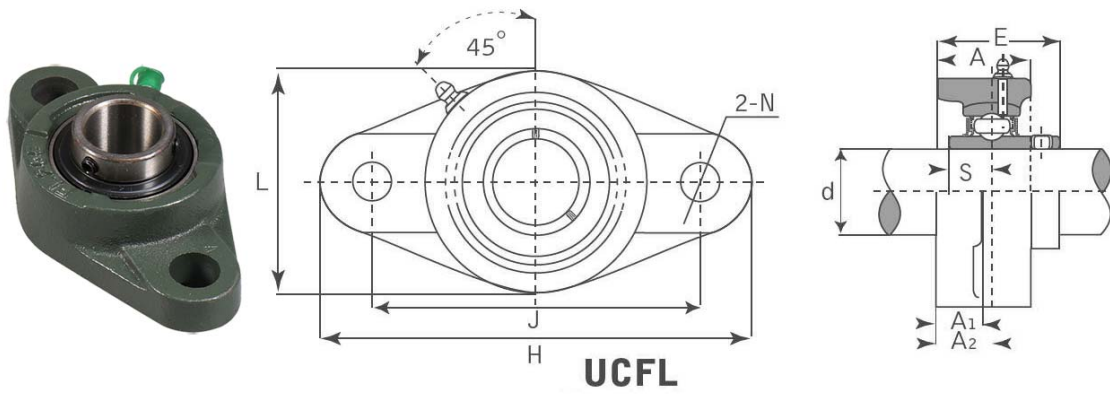
**Imp. dist. de retenes rodamientos y afines S.A.**

Av. Ramón carcamo 720 Lima 1 - Perú  
 Teléfono: (511) 424 7518 / Fax: (511) 423 4099  
 Nextel: 831\*7611 / 818\*3953



UCFL200															
Part No.	Dimension(mm)											Bearing	Housing	Mass	
CMB	d	H	J	A2	A1	A	N	L	E	B	S	Bolt	No.	No.	(kg)
UCFL201	12	113	90	15	11	25.5	12	60	33.3	31	12.7	M10	UC201	FL204	0.45
UCFL201-8	1/2	4-7/16	3-35/64	19/32	7/16	1	15/32	2-3/8	1-5/16	1.2205	0.5	3/8	UC201-8	FL204	0.44
UCFL202	15	113	90	15	11	25.5	12	60	33.3	31	12.7	M10	UC202	FL204	0.44
UCFL202-9	9/16	4-7/16	3-35/64	19/32	7/16	1	12 15/32	2-3/8	1-5/16	1.2205	0.5	3/8	UC202-9	FL204	0.44
UCFL202-10	5/8	4-7/16	3-35/64	19/32	7/16	1	12 15/32	2-3/8	1-5/16	1.2205	0.5	3/8	UC202-10	FL204	0.44
UCFL203	17	113	90	15	11	25.5	12	60	33.3	31	12.7	M10	UC203	FL204	0.43
UCFL203-11	11/16	4-7/16	3-35/64	19/32	7/16	1	15/32	2-3/8	1-5/16	1.2205	0.5	3/8	UC203-11	FL204	0.42
UCFL204	20	113	90	15	11	25.5	12	60	33.3	31	12.7	M10	UC204	FL204	0.41
UCFL204-12	20 3/4	4-7/16	3-35/64	19/32	7/16	1	15/32	2-3/8	1-5/16	1.2205	0.5	3/8	UC204-12	FL204	0.41
UCFL205	25	130	99	16	13	27	16	68	35.8	34.1	14.3	M14	UC205	FL205	0.58
UCFL205-13	13/16	5-1/8	3-57/64	5/8	1/2	1-1/16	5/8	2-11/16	1-13/32	1.3425	0.563	1/2	UC205-13	FL205	0.62
UCFL205-14	7/8	5-1/8	3-57/64	5/8	1/2	1-1/16	5/8	2-11/16	1-13/32	1.3425	0.563	1/2	UC205-14	FL205	0.61
UCFL205-15	15/16	5-1/8	3-57/64	5/8	1/2	1-1/16	5/8	2-11/16	1-13/32	1.3425	0.563	1/2	UC205-15	FL205	0.59
UCFL205-16	1	5-1/8	3-57/64	5/8	1/2	1-1/16	5/8	2-11/16	1-13/32	1.3425	0.563	1/2	UC205-16	FL205	0.58
UCFL206	30	148	117	18	13	31	16	80	40.2	38.1	15.9	M14	UC206	FL206	0.86
UCFL206-17	1-1/16	5-13/16	4-39/64	45/64	1/2	1-7/32	5/8	3-5/32	1-19/32	1.5	0.626	1/2	UC206-17	FL206	0.89
UCFL206-18	1-1/8	5-13/16	4-39/64	45/64	1/2	1-7/32	5/8	3-5/32	1-19/32	1.5	0.626	1/2	UC206-18	FL206	0.88
UCFL206-19	1-3/16	5-13/16	4-39/64	45/64	1/2	1-7/32	5/8	3-5/32	1-19/32	1.5	0.626	1/2	UC206-19	FL206	0.86
UCFL206-20	1-1/4	5-13/16	4-39/64	45/64	1/2	1-7/32	5/8	3-5/32	1-19/32	1.5	0.626	1/2	UC206-20	FL206	0.85
UCFL207	35	161	130	19	14	34	16	90	44.4	42.9	17.5	M14	UC207	FL207	1.08
UCFL207-20	1-1/4	6-11/32	5-1/8	3/4	35/64	1-11/32	5/8	3-35/64	1-3/4	1.689	0.689	1/2	UC207-20	FL207	1.14
UCFL207-21	1-5/16	6-11/32	5-1/8	3/4	35/64	1-11/32	5/8	3-35/64	1-3/4	1.689	0.689	1/2	UC207-21	FL207	1.11
UCFL207-22	1-3/8	6-11/32	5-1/8	3/4	35/64	1-11/32	5/8	3-35/64	1-3/4	1.689	0.689	1/2	UC207-22	FL207	1.08
UCFL207-23	1-7/16	6-11/32	5-1/8	3/4	35/64	1-11/32	5/8	3-35/64	1-3/4	1.689	0.689	1/2	UC207-23	FL207	1.05
UCFL208	40	175	144	21	14	36	16	100	51.2	49.2	19	M14	UC208	FL208	1.44
UCFL208-24	1-1/2	6-7/8	5-43/64	53/64	35/64	1-13/32	5/8	3-15/16	2-1/64	1.937	0.748	1/2	UC208-24	FL208	1.48
UCFL208-25	1-9/16	6-7/8	5-43/64	53/64	35/64	1-13/32	5/8	3-15/16	2-1/64	1.937	0.748	1/2	UC208-25	FL208	1.45
UCFL209	45	188	148	22	15	38	19	108	52.2	49.2	19	M16	UC209	FL209	1.74
UCFL209-26	1-5/8	7-13/32	5-53/64	55/64	19/32	1-1/2	3/4	4-1/4	2-1/16	1.937	0.748	5/8	UC209-26	FL209	1.84
UCFL209-27	1-11/16	7-13/32	5-53/64	55/64	19/32	1-1/2	3/4	4-1/4	2-1/16	1.937	0.748	5/8	UC209-27	FL209	1.8
UCFL209-28	1-3/4	7-13/32	5-53/64	55/64	19/32	1-1/2	3/4	4-1/4	2-1/16	1.937	0.748	5/8	UC209-28	FL209	1.76
UCFL210	50	197	157	22	15	40	19	115	54.6	51.6	19	M16	UC210	FL210	2.1
UCFL210-29	1-13/16	7-3/4	6-3/16	55/64	19/32	1-37/64	3/4	4-17/32	2-5/32	2.0315	0.748	5/8	UC210-29	FL210	2.22
UCFL210-30	1-7/8	7-3/4	6-3/16	55/64	19/32	1-37/64	3/4	4-17/32	2-5/32	2.0315	0.748	5/8	UC210-30	FL210	2.17
UCFL210-31	1-15/16	7-3/4	6-3/16	55/64	19/32	1-37/64	3/4	4-17/32	2-5/32	2.0315	0.748	5/8	UC210-31	FL210	2.12
UCFL210-32	2	7-3/4	6-3/16	55/64	19/32	1-37/64	3/4	4-17/32	2-5/32	2.0315	0.748	5/8	UC210-32	FL210	2.08
UCFL211	55	224	184	25	18	43	19	130	58.4	55.6	22.2	M16	UC211	FL211	2.91
UCFL211-32	2	8-13/16	7-1/4	63/64	23/32	1-11/16	3/4	5-1/8	2-5/16	2.189	0.874	5/8	UC211-32	FL211	3.06
UCFL211-33	2-1/16	8-13/16	7-1/4	63/64	23/32	1-11/16	3/4	5-1/8	2-5/16	2.189	0.874	5/8	UC211-33	FL211	3
UCFL211-34	2-1/8	8-13/16	7-1/4	63/64	23/32	1-11/16	3/4	5-1/8	2-5/16	2.189	0.874	5/8	UC211-34	FL211	2.95
UCFL211-35	2-3/16	8-13/16	7-1/4	63/64	23/32	1-11/16	3/4	5-1/8	2-5/16	2.189	0.874	5/8	UC211-35	FL211	2.89
UCFL212	60	250	202	29	18	48	23	140	68.7	65.1	25.4	M20	UC212	FL212	3.74
UCFL212-36	2-1/4	9-27/32	7-61/64	1-9/64	23/32	1-7/8	29/32	5-1/2	2-23/32	2.563	1	3/4	UC212-36	FL212	3.87
UCFL212-37	2-5/16	9-27/32	7-61/64	1-9/64	23/32	1-7/8	29/32	5-1/2	2-23/32	2.563	1	3/4	UC212-37	FL212	3.79
UCFL212-38	2-3/8	9-27/32	7-61/64	1-9/64	23/32	1-7/8	29/32	5-1/2	2-23/32	2.563	1	3/4	UC212-38	FL212	3.72
UCFL212-39	2-7/16	9-27/32	7-61/64	1-9/64	23/32	1-7/8	29/32	5-1/2	2-23/32	2.563	1	3/4	UC212-39	FL212	3.65
UCFL213	65	258	210	30	22	50	23	155	69.7	65.1	25.4	M20	UC213	FL213	4.57
UCFL213-40	2-1/2	10-5/32	8-17/64	1-3/16	7/8	1-31/32	29/32	6-3/32	2-3/4	2.563	1	3/4	UC213-40	FL213	4.66
UCFL213-41	2-9/16	10-5/32	8-17/64	1-3/16	7/8	1-31/32	29/32	6-3/32	2-3/4	2.563	1	3/4	UC213-41	FL213	4.57



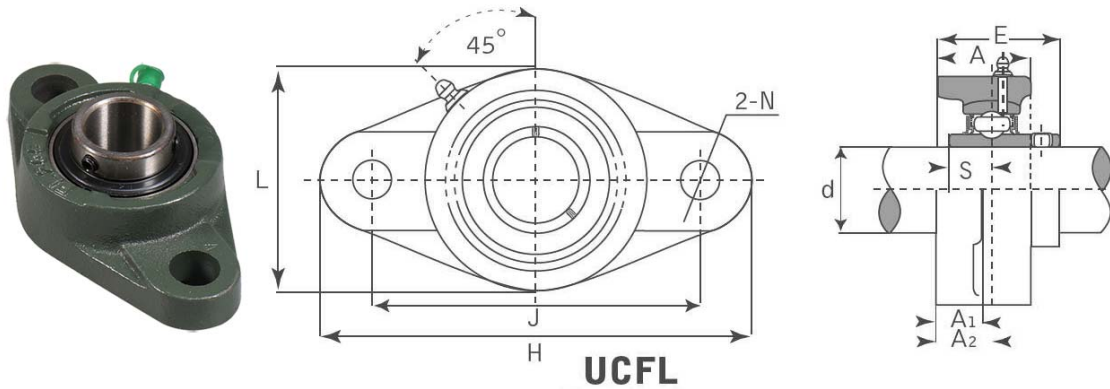


Part No.	Dimension(mm)												Bearing	Housing	Mass
CMB	d	H	J	A2	A1	A	N	L	E	B	S	Bolt	No.	No.	(kg)
UCFL214	70	265	216	31	22	54	23	160	75.4	74.6	30.2	M20	UC214	FL214	5.11
UCFL214-42	2-5/8	10-7/16	8-1/2	1-7/32	7/8	2-1/8	29/32	6-5/16	2-31/32	2.937	1.189	3/4	UC214-42	FL214	5.32
UCFL214-43	2-11/16	10-7/16	8-1/2	1-7/32	7/8	2-1/8	29/32	6-5/16	2-31/32	2.937	1.189	3/4	UC214-43	FL214	5.22
UCFL214-44	2-3/4	10-7/16	8-1/2	1-7/32	7/8	2-1/8	29/32	6-5/16	2-31/32	2.937	1.189	3/4	UC214-44	FL214	5.12
UCFL215	75	275	225	34	22	56	23	165	78.5	77.8	33.3	M20	UC215	FL215	5.37
UCFL215-45	2-13/16	10-13/16	8-55/64	1-11/32	7/8	2-7/32	29/32	6-1/2	3-3/32	3.063	1.311	3/4	UC215-45	FL215	5.62
UCFL215-46	2-7/8	10-13/16	8-55/64	1-11/32	7/8	2-7/32	29/32	6-1/2	3-3/32	3.063	1.311	3/4	UC215-46	FL215	5.51
UCFL215-47	2-15/16	10-13/16	8-55/64	1-11/32	7/8	2-7/32	29/32	6-1/2	3-3/32	3.063	1.311	3/4	UC215-47	FL215	5.4
UCFL215-48	3	10-13/16	8-55/64	1-11/32	7/8	2-7/32	29/32	6-1/2	3-3/32	3.063	1.311	3/4	UC215-48	FL215	5.28
UCFL216	80	290	233	34	22	58	25	180	83.3	82.6	33.3	M22	UC216	FL216	7.2
UCFL216-49	3-1/16	11-13/32	9-11/64	1-11/32	22 7/8	2-9/32	63/64	7-3/32	3-9/32	3.252	1.311	7/8	UC216-49	FL216	7.38
UCFL216-50	3-1/8	11-13/32	9-11/64	1-11/32	22 7/8	2-9/32	63/64	7-3/32	3-9/32	3.252	1.311	7/8	UC216-50	FL216	7.25
UCFL216-51	3-1/16	11-13/32	9-11/64	1-11/32	22 7/8	2-9/32	63/64	7-3/32	3-9/32	3.252	1.311	7/8	UC216-51	FL216	7.12
UCFL217	85	305	248	36	24	63	25	190	87.6	85.7	34.1	M22	UC217	FL217	8.61
UCFL217-52	3-1/4	12	9-49/64	1-27/64	15/16	2-15/32	63/64	7-15/32	3-7/16	3.374	1.343	7/8	UC217-52	FL217	8.83
UCFL217-53	3-5/16	12	9-49/64	1-27/64	15/16	2-15/32	63/64	7-15/32	3-7/16	3.374	1.343	7/8	UC217-53	FL217	8.69
UCFL217-55	3-7/16	12	9-49/64	1-27/64	15/16	2-15/32	63/64	7-15/32	3-7/16	3.374	1.343	7/8	UC217-55	FL217	8.4
UCFL218	90	320	265	40	24	68	25	205	96.3	96	39.7	M22	UC218	FL218	10.51
UCFL218-56	3-1/2	12-19/32	10-7/16	1-37/64	15/16	2-11/16	63/64	8-1/16	3-25/32	3.7795	1.563	7/8	UC218-56	FL218	10.62

**UCFL300**

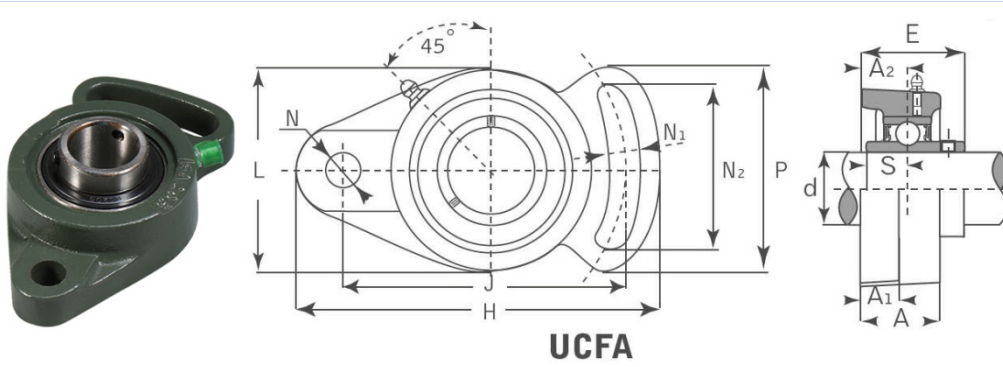
Part No.	Dimension(mm)												Bearing	Housing	Mass
CMB	d	H	J	A2	A1	A	N	L	E	B	S	Bolt	No.	No.	(kg)
UCFL305	25	150	113	16	13	29	19	80	39	38	15	M16	UC305	FL305	1.1
UCFL305-13	13/16	5-29/32	4-7/16	5/8	1/2	1-5/32	3/4	3-5/32	1-17/32	1.4961	0.591	5/8	UC305-13	FL305	1.1
UCFL305-14	7/8	5-29/32	4-7/16	5/8	1/2	1-5/32	3/4	3-5/32	1-17/32	1.4961	0.591	5/8	UC305-14	FL305	1.1
UCFL305-15	15/16	5-29/32	4-7/16	5/8	1/2	1-5/32	3/4	3-5/32	1-17/32	1.4961	0.591	5/8	UC305-15	FL305	1.1
UCFL305-16	1	5-29/32	4-7/16	5/8	1/2	1-5/32	3/4	3-5/32	1-17/32	1.4961	0.591	5/8	UC305-16	FL305	1.1
UCFL306	30	180	134	18	15	32	23	90	44	43	17	M20	UC306	FL306	1.5
UCFL306-17	1-1/16	7-3/32	5-9/32	45/64	19/32	1-1/4	29/32	3-17/32	1-47/64	1.6929	0.669	3/4	UC306-17	FL306	1.5
UCFL306-18	1-1/8	7-3/32	5-9/32	45/64	19/32	1-1/4	29/32	3-17/32	1-47/64	1.6929	0.669	3/4	UC306-18	FL306	1.5
UCFL306-19	1-3/16	7-3/32	5-9/32	45/64	19/32	1-1/4	29/32	3-17/32	1-47/64	1.6929	0.669	3/4	UC306-19	FL306	1.5
UCFL307	35	185	141	20	16	36	23	100	49	48	19	M20	UC307	FL307	1.9
UCFL307-20	1-1/4	7-9/32	5-35/64	25/32	5/8	1-13/32	29/32	3-15/16	1-59/64	1.8898	0.748	3/4	UC307-20	FL307	1.9
UCFL307-21	1-5/16	7-9/32	5-35/64	25/32	5/8	1-13/32	29/32	3-15/16	1-59/64	1.8898	0.748	3/4	UC307-21	FL307	1.9
UCFL307-22	1-3/8	7-9/32	5-35/64	25/32	5/8	1-13/32	29/32	3-15/16	1-59/64	1.8898	0.748	3/4	UC307-22	FL307	1.9
UCFL307-23	1-7/16	7-9/32	5-35/64	25/32	5/8	1-13/32	29/32	3-15/16	1-59/64	1.8898	0.748	3/4	UC307-23	FL307	1.9
UCFL308	40	200	158	23	17	40	23	112	56	52	19	M20	UC308	FL308	2.5
UCFL308-24	1-1/2	7-7/8	5-7/32	29/32	21/32	1-9/16	29/32	4-13/32	1-13/64	2.0472	0.748	3/4	UC308-24	FL308	2.5
UCFL308-25	1-9/16	7-7/8	5-7/32	29/32	21/32	1-9/16	29/32	4-13/32	1-13/64	2.0472	0.748	3/4	UC308-25	FL308	2.5
UCFL309	45	230	177	25	18	44	25	125	60	57	22	M22	UC309	FL309	3.4
UCFL309-26	1-5/8	9-1/16	6-31/32	63/64	23/32	1-23/32	63/64	4-29/32	2-23/64	2.2441	0.866	7/8	UC309-26	FL309	3.4
UCFL309-27	1-11/16	9-1/16	6-31/32	63/64	23/32	1-23/32	63/64	4-29/32	2-23/64	2.2441	0.866	7/8	UC309-27	FL309	3.4
UCFL309-28	1-3/4	9-1/16	6-31/32	63/64	23/32	1-23/32	63/64	4-29/32	2-23/64	2.2441	0.866	7/8	UC309-28	FL309	3.4
UCFL310	50	240	187	28	19	48	25	140	67	61	22	M22	UC310	FL310	4.4
UCFL310-29	1-13/16	9-7/16	7-23/64	1-7/64	3/4	1-7/8	63/64	5-1/2	2-41/64	2.4016	0.866	7/8	UC310-29	FL310	4.4
UCFL310-30	1-7/8	9-7/16	7-23/64	1-7/64	3/4	1-7/8	63/64	5-1/2	2-41/64	2.4016	0.866	7/8	UC310-30	FL310	4.4
UCFL310-31	1-15/16	9-7/16	7-23/64	1-7/64	3/4	1-7/8	63/64	5-1/2	2-41/64	2.4016	0.866	7/8	UC310-31	FL310	4.4
UCFL311	55	250	198	30	20	52	25	150	71	66	25	M22	UC311	FL311	5.1
UCFL311-32	2	9-27/32	7-51/64	1-3/16	25/32	2-1/16	63/64	5-29/32	2-51/64	2.5984	0.984	7/8	UC311-32	FL311	5.1





Part No.	Dimension(mm)												Bearing No.	Housing No.	Mass (kg)
	CMB	d	H	J	A2	A1	A	N	L	E	B	S			
UCFL311-33	2-1/16	9-27/32	7-51/64	1-3/16	25/32	2-1/16	63/64	5-29/32	2-51/64	2.5984	0.984	7/8	UC311-33	FL311	5.1
UCFL311-34	2-1/8	9-27/32	7-51/64	1-3/16	25/32	2-1/16	63/64	5-29/32	2-51/64	2.5984	0.984	7/8	UC311-34	FL311	5.1
UCFL311-35	2-3/16	9-27/32	7-51/64	1-3/16	25/32	2-1/16	63/64	5-29/32	2-51/64	2.5984	0.984	7/8	UC311-35	FL311	5.1
UCFL312	60	270	212	33	22	56	31	160	78	71	26	M27	UC312	FL312	6.1
UCFL312-36	2-1/4	10-5/8	8-11/32	1-19/64	7/8	2-7/32	1-7/32	6-5/64	3-5/64	2.9753	1.024	1	UC312-36	FL312	6.1
UCFL312-37	2-5/16	10-5/8	8-11/32	1-19/64	7/8	2-7/32	1-7/32	6-5/64	3-5/64	2.9753	1.024	1	UC312-37	FL312	6.1
UCFL312-38	2-3/8	10-5/8	8-11/32	1-19/64	7/8	2-7/32	1-7/32	6-5/64	3-5/64	2.9753	1.024	1	UC312-38	FL312	6.1
UCFL312-39	2-7/16	10-5/8	8-11/32	1-19/64	7/8	2-7/32	1-7/32	6-5/64	3-5/64	2.9753	1.024	1	UC312-39	FL312	6.1
UCFL313	65	295	240	33	25	58	31	175	78	75	30	M27	UC313	FL313	7.8
UCFL313-40	2-1/2	11-5/8	9-29/64	1-19/64	31/32	2-9/32	1-7/32	6-7/8	3-5/64	2.9528	1.181	1	UC313-40	FL313	7.8
UCFL313-41	2-9/16	11-5/8	9-29/64	1-19/64	31/32	2-9/32	1-7/32	6-7/8	3-5/64	2.9528	1.181	1	UC313-41	FL313	7.8
UCFL314	70	315	250	36	28	61	35	185	81	78	33	M30	UC314	FL314	9
UCFL314-42	2-5/8	12-13/32	9-27/32	1-27/64	1-3/32	2-13/32	1-3/8	7-9/32	3-3/16	3.0708	1.299	1-1/8	UC314-42	FL314	9
UCFL314-43	2-11/16	12-13/32	9-27/32	1-27/64	1-3/32	2-13/32	1-3/8	7-9/32	3-3/16	3.0708	1.299	1-1/8	UC314-43	FL314	9
UCFL314-44	2-3/4	12-13/32	9-27/32	1-27/64	1-3/32	2-13/32	1-3/8	7-9/32	3-3/16	3.0708	1.299	1-1/8	UC314-44	FL314	9
UCFL315	75	320	260	39	30	66	35	195	89	82	32	M30	UC315	FL315	10
UCFL315-45	2-13/16	2-19/32	10-15/64	1-17/32	1-3/16	2-19/32	1-3/8	7-11/16	3-1/2	3.2283	1.26	1-1/8	UC315-45	FL315	10
UCFL315-46	2-7/8	2-19/32	10-15/64	1-17/32	1-3/16	2-19/32	1-3/8	7-11/16	3-1/2	3.2283	1.26	1-1/8	UC315-46	FL315	10
UCFL315-47	2-15/16	2-19/32	10-15/64	1-17/32	1-3/16	2-19/32	1-3/8	7-11/16	3-1/2	3.2283	1.26	1-1/8	UC315-47	FL315	10
UCFL315-48	3	2-19/32	10-15/64	1-17/32	1-3/16	2-19/32	1-3/8	7-11/16	3-1/2	3.2283	1.26	1-1/8	UC315-48	FL315	10
UCFL316	80	355	285	38	32	68	38	210	90	86	34	M33	UC316	FL316	13
UCFL316-49	3-1/16	13-31/32	11-7/32	1-1/2	1-1/4	2-11/16	1-1/2	8-9/32	3-35/64	3.3858	1.339	1-1/4	UC316-49	FL316	13
UCFL316-50	3-1/8	13-31/32	11-7/32	1-1/2	1-1/4	2-11/16	1-1/2	8-9/32	3-35/64	3.3858	1.339	1-1/4	UC316-50	FL316	13
UCFL316-51	3-3/16	13-31/32	11-7/32	1-1/2	1-1/4	2-11/16	1-1/2	8-9/32	3-35/64	3.3858	1.339	1-1/4	UC316-51	FL316	13
UCFL317	85	370	300	44	32	74	38	220	100	96	40	M33	UC317	FL317	15
UCFL317-52	3-1/4	14-9/16	11-13/16	1-47/64	1-1/4	2-29/32	1-1/2	8-21/32	3-15/16	3.7795	1.575	1-1/4	UC317-52	FL317	15
UCFL317-53	3-5/16	14-9/16	11-13/16	1-47/64	1-1/4	2-29/32	1-1/2	8-21/32	3-15/16	3.7795	1.575	1-1/4	UC317-53	FL317	15
UCFL317-55	3-7/16	14-9/16	11-13/16	1-47/64	1-1/4	2-29/32	1-1/2	8-21/32	3-15/16	3.7795	1.575	1-1/4	UC317-55	FL317	15
UCFL318	90	385	315	44	36	76	38	235	100	96	40	M33	UC318	FL318	18
UCFL318-55	3-7/16	15-5/32	12-13/32	1-47/64	1-13/32	3	1-1/2	9-1/4	3-15/16	3.7795	1.575	1-1/4	UC318-55	FL318	18
UCFL318-56	3-1/2	15-5/32	12-13/32	1-47/64	1-13/32	3	1-1/2	9-1/4	3-15/16	3.7795	1.575	1-1/4	UC318-56	FL318	18
UCFL319	95	405	330	59	40	94	41	250	121	103	41	M36	UC319	FL319	22
UCFL319-58	3-5/8	15-15/16	12-63/64	2-21/64	1-9/16	3-11/16	1-39/64	9-27/32	4-49/64	4.0551	1.614	1-3/8	UC319-58	FL319	22
UCFL319-59	3-11/16	15-15/16	12-63/64	2-21/64	1-9/16	3-11/16	1-39/64	9-27/32	4-49/64	4.0551	1.614	1-3/8	UC319-59	FL319	22
UCFL319-60	3-3/4	15-15/16	12-63/64	2-21/64	1-9/16	3-11/16	1-39/64	9-27/32	4-49/64	4.0551	1.614	1-3/8	UC319-60	FL319	22
UCFL320	100	440	360	59	40	94	44	270	125	108	42	M39	UC320	FL320	27
UCFL320-64	4	17-5/16	14-11/64	2-21/64	1-9/16	3-11/16	1-17/64	10-5/8	4-29/32	4.2519	1.6535	1-1/2	UC320-64	FL320	27
UCFL322	110	470	390	60	42	96	44	300	131	117	46	M39	UC322	FL322	33
UCFL324	120	520	430	65	48	110	47	330	140	126	51	M42	UC324	FL324	48
UCFL326	130	550	460	65	50	115	47	360	146	135	54	M42	UC326	FL326	58
UCFL328	140	600	500	75	60	125	51	400	161	145	59	M45	UC328	FL328	81





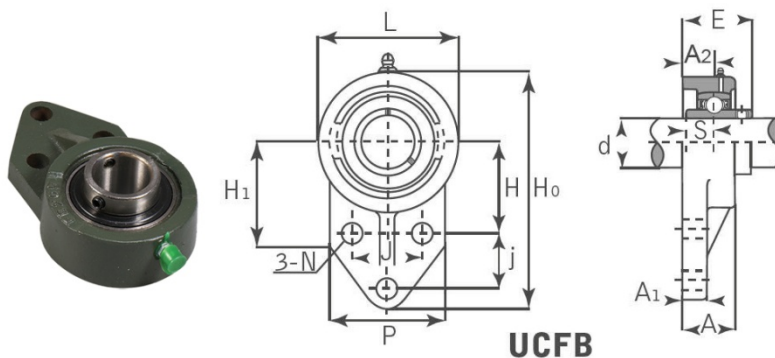
UCFA

UCFA

Part No.	Dimension(mm)														Bearing	Housing	Mass
CMB	d	H	J	A2	A1	A	N	L	E	N2	P	B	S	Bolt	No.	No.	(kg)
UCFA201	12	98	78	15	12	25.5	10	60	33.3	40	50	31	12.7	M8	UC201	FA204	0.5
UCFA201-8	1/2	3-55/64	3-5/64	19/32	15/32	1	25/64	2-3/8	1-5/16	1-37/64	1-31/32	1.22	0.5	5/16	UC201-8	FA204	0.49
UCFA202	15	98	78	15	12	25.5	10	60	33.3	40	50	31	12.7	5/16	UC202	FA204	0.49
UCFA202-9	9/16	3-55/64	3-5/64	19/32	15/32	1	25/64	2-3/8	1-5/16	1-37/64	1-31/32	1.22	0.5	5/16	UC202-9	FA204	0.49
UCFA202-10	5/8	3-55/64	3-5/64	19/32	15/32	1	25/64	2-3/8	1-5/16	1-37/64	1-31/32	1.22	0.5	5/16	UC202-10	FA204	0.49
UCFA203	17	98	78	15	12	25.5	10	60	33.3	40	50	31	12.7	5/16	UC203	FA204	0.48
UCFA203-11	11/16	3-55/64	3-5/64	19/32	15/32	1	25/64	2-3/8	1-5/16	1-37/64	1-31/32	1.22	0.5	5/16	UC203-11	FA204	0.47
UCFA204	20	98	78	15	12	25.5	10	60	33.3	40	50	31	12.7	5/16	UC204	FA204	0.46
UCFA204-12	3/4	3-55/64	3-5/64	19/32	15/32	1	25/64	2-3/8	1-5/16	1-37/64	1-31/32	1.22	0.5	5/16	UC204-12	FA204	0.46
UCFA205	25	124	98	16	14	27	13	70	35.8	51	65	34.1	14.3	M10	UC205	FA205	0.66
UCFA205-13	13/16	4-7/8	3-55/64	5/8	35/64	1-1/16	33/64	2-3/4	1-13/32	2-1/64	2-9/16	1.34	0.56	3/8	UC205-13	FA205	0.7
UCFA205-14	7/8	4-7/8	3-55/64	5/8	35/64	1-1/16	33/64	2-3/4	1-13/32	2-1/64	2-9/16	1.34	0.56	3/8	UC205-14	FA205	0.69
UCFA205-15	15/16	4-7/8	3-55/64	5/8	35/64	1-1/16	33/64	2-3/4	1-13/32	2-1/64	2-9/16	1.34	0.56	3/8	UC205-15	FA205	0.67
UCFA205-16	1	4-7/8	3-55/64	5/8	35/64	1-1/16	33/64	2-3/4	1-13/32	2-1/64	2-9/16	1.34	0.56	3/8	UC205-16	FA205	0.66
UCFA206	30	141	115	18	14	31	13	83	40.2	58	72	38.1	15.9	M10	UC206	FA206	0.93
UCFA206-17	1-1/16	5-35/64	4-17/32	45/64	35/64	1-7/32	33/64	3-17/64	1-19/32	2-9/32	2-27/32	1.5	0.63	3/8	UC206-17	FA206	0.96
UCFA206-18	1-1/8	5-35/64	4-17/32	45/64	35/64	1-7/32	33/64	3-17/64	1-19/32	2-9/32	2-27/32	1.5	0.63	3/8	UC206-18	FA206	0.95
UCFA206-19	1-3/16	5-35/64	4-17/32	45/64	35/64	1-7/32	33/64	3-17/64	1-19/32	2-9/32	2-27/32	1.5	0.63	3/8	UC206-19	FA206	0.93
UCFA206-20	1-1/4	5-35/64	4-17/32	45/64	35/64	1-7/32	33/64	3-17/64	1-19/32	2-9/32	2-27/32	1.5	0.63	3/8	UC206-20	FA206	0.92
UCFA207	35	155	128	19	16	34	15	96	44.4	66	82	42.9	17.5	M12	UC207	FA207	1.46
UCFA207-20	1-1/4	6-7/64	5-3/64	3/4	5/8	1-11/32	19/32	3-25/32	1-3/4	2-19/32	3-15/64	1.69	0.69	7/16	UC207-20	FA207	1.52
UCFA207-21	1-5/16	6-7/64	5-3/64	3/4	5/8	1-11/32	19/32	3-25/32	1-3/4	2-19/32	3-15/64	1.69	0.69	7/16	UC207-21	FA207	1.49
UCFA207-22	1-3/8	6-7/64	5-3/64	3/4	5/8	1-11/32	19/32	3-25/32	1-3/4	2-19/32	3-15/64	1.69	0.69	7/16	UC207-22	FA207	1.46
UCFA207-23	1-7/16	6-7/64	5-3/64	3/4	5/8	1-11/32	19/32	3-25/32	1-3/4	2-19/32	3-15/64	1.69	0.69	7/16	UC207-23	FA207	1.43
UCFA208	40	171	142	21	16	38	15	105	51.2	71	87	49.2	19	M12	UC208	FA209	1.78
UCFA208-24	1-1/2	47/64	5-19/32	53/64	5/8	1-1/2	19/32	4-9/64	2-1/64	2-51/64	3-27/64	1.94	0.75	7/16	UC208-24	FA209	1.82
UCFA208-25	1-9/16	47/64	5-19/32	53/64	5/8	1-1/2	19/32	4-9/64	2-1/64	2-51/64	3-27/64	1.94	0.75	7/16	UC208-25	FA209	1.79
UCFA209	45	179	146	22	18	40	17	111	52.2	72	90	49.2	19	M14	UC209	FA209	2.03
UCFA209-26	1-5/8	7-3/64	5-3/4	55/64	45/64	1-37/64	43/64	4-3/8	2-1/16	2-53/64	3-35/64	1.9370	0.75	1/2	UC209-26	FA209	2.13
UCFA209-27	-11/16	7-3/64	5-3/4	55/64	45/64	1-37/64	43/64	4-3/8	2-1/16	2-53/64	3-35/64	1.9370	0.75	1/2	UC209-27	FA209	2.09
UCFA209-28	1-3/4	7-3/64	5-3/4	55/64	45/64	1-37/64	43/64	4-3/8	2-1/16	2-53/64	3-35/64	1.9370	0.75	1/2	UC209-28	FA209	2.05
UCFA210	50	189	155	22	18	40	17	116	54.6	76	94	51.6	19	M14	UC210	FA210	2.23
UCFA210-29	1-13/16	7-7/16	6-7/64	55/64	45/64	1-37/64	43/64	4-9/16	2-5/32	3	3-45/64	2.03	0.75	1/2	UC210-29	FA210	2.35
UCFA210-30	1-7/8	7-7/16	6-7/64	55/64	45/64	1-37/64	43/64	4-9/16	2-5/32	3	3-45/64	2.03	0.75	1/2	UC210-30	FA210	2.3
UCFA210-31	1-15/16	7-7/16	6-7/64	55/64	45/64	1-37/64	43/64	4-9/16	2-5/32	3	3-45/64	2.03	0.75	1/2	UC210-31	FA210	2.25
UCFA210-32	2	7-7/16	6-7/64	55/64	45/64	1-37/64	43/64	4-9/16	2-5/32	3	3-45/64	2.03	0.75	1/2	UC210-32	FA210	2.21
UCFA211	55	216	182	25	20	44	17	133	58.4	86	104	55.6	25.4	M14	UC211	FA211	3.41
UCFA211-32	2	8-1/2	7-11/64	63/64	25/32	1-47/64	43/64	5-51/64	2-5/16	3-25/64	4-3/32	2.19	0.87	1/2	UC211-32	FA211	3.56
UCFA211-33	2-1/16	8-1/2	7-11/64	63/64	25/32	1-47/64	43/64	5-51/64	2-5/16	3-25/64	4-3/32	2.19	0.87	1/2	UC211-33	FA211	3.5 3.45
UCFA211-34	2-1/8	8-1/2	7-11/64	63/64	25/32	1-47/64	43/64	5-51/64	2-5/16	3-25/64	4-3/32	2.19	0.87	1/2	UC211-34	FA211	3.45
UCFA211-35	2-3/16	8-1/2	7-11/64	63/64	25/32	1-47/64	43/64	5-51/64	2-5/16	3-25/64	4-3/32	2.19	0.87	1/2	UC211-35	FA211	3.39
UCFA212	60	240	202	29	20	48	19	140	68.7	100	118	65.1	25.4	M16	UC212	FA212	4.14
UCFA212-36	2-1/4	9-29/64	7-61/64	1-9/64	25/32	1-7/8	3/4	5-1/2	2-23/32	3-15/16	4-41/64	2.56	1	5/8	UC212-36	FA212	4.27
UCFA212-37	2-5/16	9-29/64	7-61/64	1-9/64	25/32	1-7/8	3/4	5-1/2	2-23/32	3-15/16	4-41/64	2.56	1	5/8	UC212-37	FA212	4.19
UCFA212-38	2-3/8	9-29/64	7-61/64	1-9/64	25/32	1-7/8	3/4	5-1/2	2-23/32	3-15/16	4-41/64	2.56	1	5/8	UC212-38	FA212	4.12
UCFA212-39	2-7/16	9-29/64	7-61/64	1-9/64	25/32	1-7/8	3/4	5-1/2	2-23/32	3-15/16	4-41/64	2.56	1	5/8	UC212-39	FA212	4.05
UCFA213	65	250	210	30	20	50	19	155	69.7	102	122	65.1	25.4	M16	UC213	FA213	5.35
UCFA213-40	2-1/2	9-27/32	8-17/64	1-3/16	25/32	1-31/32	3/4	6-3/32	2-3/4	4-1/64	4-51/64	2.56	1	5/8	UC213-40	FA213	5.44
UCFA213-41	2-9/16	9-27/32	8-17/64	1-3/16	25/32	1-31/32	3/4	6-3/32	2-3/4	4-1/64	4-51/64	2.56	1	5/8	UC213-41	FA213	5.35





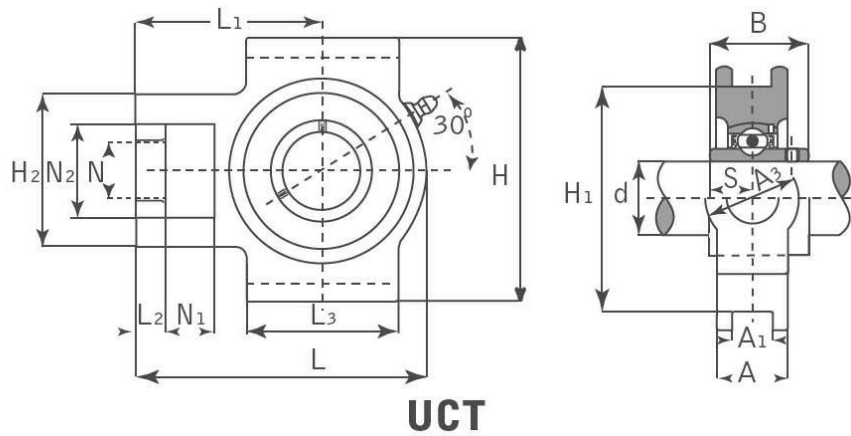


Part No.	Dimension (mm)															Bearing No.	Housing No.	Mass (kg)	
	CMB	d	H0	L	H1	P	A	N	A1	H	j	J	A2	E	B				S
UCFB201	12	110	62	52	52	25.5	10	13	42	27	32	15	33.3	31	12.7	M8	UC201	FB204	0.58
UCFB201-8	1/2	4-11/32	2-7/16	2-1/16	2-1/16	1	25/64	1/2	1-21/32	1-1/16	1-17/64	19/32	1-5/16	1.22	0.5	5/16	UC201-8	FB204	0.57
UCFB202	15	110	62	52	52	25.5	10	13	42	27	32	15	33.3	31	12.7	M8	UC202	FB204	0.57
UCFB202-9	9/16	4-11/32	2-7/16	2-1/16	2-1/16	1	25/64	1/2	1-21/32	1-1/16	1-17/64	19/32	1-5/16	1.22	0.5	5/16	UC202-9	FB204	0.57
UCFB202-10	5/8	4-11/32	2-7/16	2-1/16	2-1/16	1	25/64	1/2	1-21/32	1-1/16	1-17/64	19/32	1-5/16	1.22	0.5	5/16	UC202-10	FB204	0.57
UCFB203	17	110	62	52	52	25.5	10	13	42	27	32	15	33.3	31	12.7	M8	UC203	FB204	0.56
UCFB203-11	11/16	4-11/32	2-7/16	2-1/16	2-1/16	1	25/64	1/2	1-21/32	1-1/16	1-17/64	19/32	1-5/16	1.22	0.5	5/16	UC203-11	FB204	0.55
UCFB204	20	110	62	52	52	25.5	10	13	42	27	32	15	33.3	31	12.7	M8	UC204	FB204	0.54
UCFB204-12	3/4	4-11/32	2-7/16	2-1/16	2-1/16	1	25/64	1/2	1-21/32	1-1/16	1-17/64	19/32	1-5/16	1.22	0.5	5/16	UC204-12	FB204	0.54
UCFB205	25	116	68	52	56	27	10	13	45	27	34	16	35.8	34.1	14.3	M8	UC205	FB205	0.79
UCFB205-13	13/16	4-9/16	2-11/16	2-1/16	2-7/32	1-1/16	25/64	1/2	1-49/64	1-1/16	1-11/32	5/8	1-13/32	1.34	0.56	5/16	UC205-13	FB205	0.83
UCFB205-14	7/8	4-9/16	2-11/16	2-1/16	2-7/32	1-1/16	25/64	1/2	1-49/64	1-1/16	1-11/32	5/8	1-13/32	1.34	0.56	5/16	UC205-14	FB205	0.82
UCFB205-15	15/16	4-9/16	2-11/16	2-1/16	2-7/32	1-1/16	25/64	1/2	1-49/64	1-1/16	1-11/32	5/8	1-13/32	1.34	0.56	5/16	UC205-15	FB205	0.8
UCFB205-16	1	4-9/16	2-11/16	2-1/16	2-7/32	1-1/16	25/64	1/2	1-49/64	1-1/16	1-11/32	5/8	1-13/32	1.34	0.56	5/16	UC205-16	FB205	0.79
UCFB206	30	130	78	55	65	31	10	13	50	29	40	18	40.2	38.1	15.9	M8	UC206	FB206	0.95
UCFB206-17	1-1/16	5-1/8	3-1/16	2-5/32	2-9/16	1-7/32	25/64	1/2	1-31/32	1-9/64	1-37/64	45/64	1-19/32	1.5000	0.63	5/16	UC206-17	FB206	0.98
UCFB206-18	1-1/8	5-1/8	3-1/16	2-5/32	2-9/16	1-7/32	25/64	1/2	1-31/32	1-9/64	1-37/64	45/64	1-19/32	1.5000	0.63	5/16	UC206-18	FB206	0.97
UCFB206-19	1-3/16	5-1/8	3-1/16	2-5/32	2-9/16	1-7/32	25/64	1/2	1-31/32	1-9/64	1-37/64	45/64	1-19/32	1.5000	0.63	5/16	UC206-19	FB206	0.95
UCFB206-20	1-1/4	5-1/8	3-1/16	2-5/32	2-9/16	1-7/32	25/64	1/2	1-31/32	1-9/64	1-37/64	45/64	1-19/32	1.5000	0.63	5/16	UC206-20	FB206	0.94
UCFB207	35	144	90	62	70	34	10	15	55	32	46	19	44.4	42.9	17.5	MS	UC207	FB207	1.29
UCFB207-20	1-1/4	5-21/32	3-35/64	2-7/16	2-3/4	1-11/32	25/64	19/32	2-11/64	1-1 7/64	1-13/16	3/4	1-3/4	1.69	0.69	5/16	UC207-20	FB207	1.35
UCFB207-21	1-5/16	5-21/32	3-35/64	2-7/16	2-3/4	1-11/32	25/64	19/32	2-11/64	1-1 7/64	1-13/16	3/4	1-3/4	1.69	0.69	5/16	UC207-21	FB207	1.32
UCFB207-22	1-3/8	5-21/32	3-35/64	2-7/16	2-3/4	1-11/32	25/64	19/32	2-11/64	1-1 7/64	1-13/16	3/4	1-3/4	1.69	0.69	5/16	UC207-22	FB207	1.29
UCFB207-23	1-7/16	5-21/32	3-35/64	2-7/16	2-3/4	1-11/32	25/64	19/32	2-11/64	1-1 7/64	1-13/16	3/4	1-3/4	1.69	0.69	5/16	UC207-23	FB207	1.26
UCFB208	40	164	100	72	78	36	12	16	60	41	50	21	51.2	49.2	19	M10	UC208	FB208	1.78
UCFB208-24	1-1/2	6-15/32	3-15/16	2-27/32	3-1/16	1-13/32	15/32	5/8	2-23/64	1-39/64	1-31/32	53/64	2-1/64	1.94	0.75	3/8	UC208-24	FB208	1.82
UCFB208-25	1-9/16	6-15/32	3-15/16	2-27/32	3-1/16	1-13/32	15/32	5/8	2-23/64	1-39/64	1-31/32	53/64	2-1/64	1.94	0.75	3/8	UC208-25	FB208	1.79
UCFB209	45	174	106	76	80	38	12	18	65	43	54	22	52.2	49.2	19	M10	UC209	FB209	1.91
UCFB209-26	1-5/8	6-27/32	4-3/16	3	3-5/32	1-1/2	15/32	23/32	2-9/16	1-11/16	2-1/8	55/64	2-1/16	1.9370	0.75	3/8	UC209-26	FB209	2.01
UCFB209-27	1-11/16	6-27/32	4-3/16	3	3-5/32	1-1/2	15/32	23/32	2-9/16	1-11/16	2-1/8	55/64	2-1/16	1.9370	0.75	3/8	UC209-27	FB209	1.97
UCFB209-28	1-3/4	6-27/32	4-3/16	3	3-5/32	1-1/2	15/32	23/32	2-9/16	1-11/16	2-1/8	55/64	2-1/16	1.9370	0.75	3/8	UC209-28	FB209	1.93
UCFB210	50	184	112	82	86	40	12	18	68	46	58	22	54.6	51.6	19	M10	UC210	FB210	2.36
UCFB210-29	1-13/16	7-1/4	4-13/32	3-7/32	3-3/8	1-37/64	15/32	23/32	2-43/64	1-13/16	2-9/32	55/64	2-5/32	2.03	0.75	3/8	UC210-29	FB210	2.48
UCFB210-30	1-7/8	7-1/4	4-13/32	3-7/32	3-3/8	1-37/64	15/32	23/32	2-43/64	1-13/16	2-9/32	55/64	2-5/32	2.03	0.75	3/8	UC210-30	FB210	2.43
UCFB210-31	1-15/16	7-1/4	4-13/32	3-7/32	3-3/8	1-37/64	15/32	23/32	2-43/64	1-13/16	2-9/32	55/64	2-5/32	2.03	0.75	3/8	UC210-31	FB210	2.38
UCFB210-32	2	7-1/4	4-13/32	3-7/32	3-3/8	1-37/64	15/32	23/32	2-43/64	1-13/16	2-9/32	55/64	2-5/32	2.03	0.75	3/8	UC210-32	FB210	2.34
UCFB211	55	207	130	86	90	43	14	18	78	50	62	25	58.4	55.6	22.2	M12	UC211	FB211	3.15
UCFB211-32	2	8-5/32	5-1/8	3-25/64	3-35/64	1-11/16	35/64	45/64	3-5/64	1-31/32	2-7/16	63/64	2-5/16	2.19	0.87	7/16	UC211-32	FB211	3.31
UCFB211-33	2-1/16	8-5/32	5-1/8	3-25/64	3-35/64	1-11/16	35/64	45/64	3-5/64	1-31/32	2-7/16	63/64	2-5/16	2.19	0.87	7/16	UC211-33	FB211	3.25
UCFB211-34	2-1/8	8-5/32	5-1/8	3-25/64	3-35/64	1-11/16	35/64	45/64	3-5/64	1-31/32	2-7/16	63/64	2-5/16	2.19	0.87	7/16	UC211-34	FB211	3.2
UCFB211-35	2-3/16	8-5/32	5-1/8	3-25/64	3-35/64	1-11/16	35/64	45/64	3-5/64	1-31/32	2-7/16	63/64	2-5/16	2.19	0.87	7/16	UC211-35	FB211	3.14
UCFB212	60	223	140	90	94	48	14	18	84	55	66	29	68.7	65.1	25.4	M12	UC212	FB212	3.99
UCFB212-36	2-1/4	8-25/32	5-1/2	3-35/64	3-45/64	1-7/8	35/64	45/64	3-5/16	2-11/64	2-19/32	1-9/64	2-23/32	2.56	1	7/16	UC212-36	FB212	4.12
UCFB212-37	2-5/16	8-25/32	5-1/2	3-35/64	3-45/64	1-7/8	35/64	45/64	3-5/16	2-11/64	2-19/32	1-9/64	2-23/32	2.56	1	7/16	UC212-37	FB212	4.04
UCFB212-38	2-3/8	8-25/32	5-1/2	3-35/64	3-45/64	1-7/8	35/64	45/64	3-5/16	2-11/64	2-19/32	1-9/64	2-23/32	2.56	1	7/16	UC212-38	FB212	3.97
UCFB212-39	2-7/16	8-25/32	5-1/2	3-35/64	3-45/64	1-7/8	35/64	45/64	3-5/16	2-11/64	2-19/32	1-9/64	2-23/32	2.56	1	7/16	UC212-39	FB212	3.9
UCFB213	65	244	155	94	100	50	14	20	92	60	70	30	69.7	65.1	25.4	M12	UC213	FB213	5.21
UCFB213-40	2-1/2	9-39/64	6-7/64	3-45/64	3-15/16	1-31/32	35/64	25/32	3-5/8	2-23/64	2-3/4	1-3/16	2-3/4	2.56	1	7/16	UC213-40	FB213	5.3
UCFB213-41	2-9/16	9-39/64	6-7/64	3-45/64	3-15/16	1-31/32	35/64	25/32	3-5/8	2-23/64	2-3/4	1-3/16	2-3/4	2.56	1	7/16	UC213-41	FB213	5.21



Imp. dist. de retenes rodamientos y afines S.A.

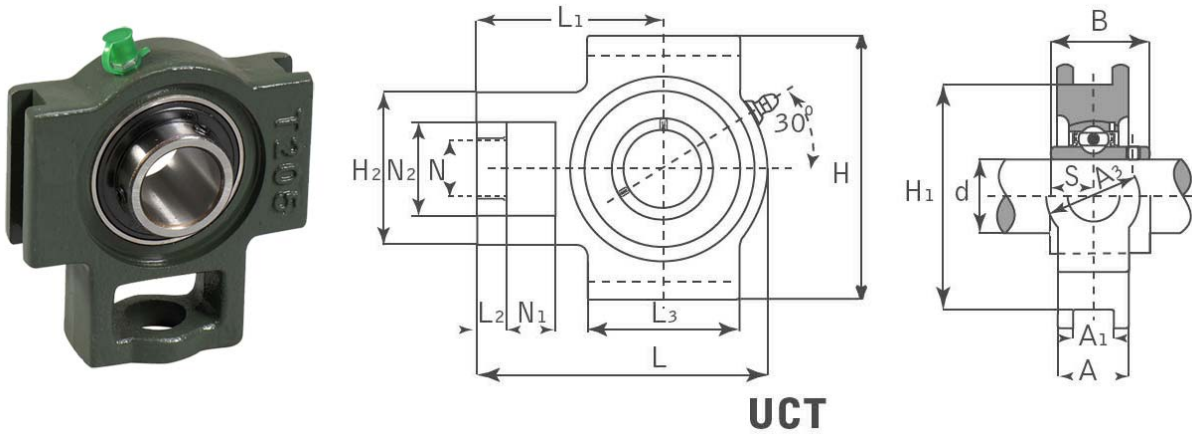
Av. Ramón carcamo 720 Lima 1 - Perú  
 Teléfono: (511) 424 7518 / Fax: (511) 423 4099  
 Nextel: 831\*7611 / 818\*3953



**UCT200**

Part No.	Dimension (mm)																	Bearing No.	Housing No.	Mass (kg)
CMB	d	N1	L2	H2	N2	N	L3	A1	H1	H	L	A	A3	L1	B	S				
UCT201	12	16	10	51	32	19	51	12	76	89	94	32	21	61	31	12.7	UC201	T204	0.8	
UCT201-8	1/2	5/8	25/64	2-1/64	1-1/4	3/4	2-1/64	15/32	2-63/64	3-1/2	3-11/16	1-1/4	13/16	2-13/32	1.2205	0.5	UC201-8	T204	0.79	
UCT202	15	16	10	51	32	19	51	12	76	89	94	32	21	61	31	12.7	UC202	T204	0.79	
UCT202-9	9/16	5/8	25/64	2-1/64	1-1/4	3/4	2-1/64	15/32	2-63/64	3-1/2	3-11/16	1-1/4	13/16	2-13/32	1.2205	0.5	UC202-9	T204	0.79	
UCT202-10	5/8	5/8	25/64	2-1/64	1-1/4	3/4	2-1/64	15/32	2-63/64	3-1/2	3-11/16	1-1/4	13/16	2-13/32	1.2205	0.5	UC202-10	T204	0.79	
UCT203	17	16	10	51	32	19	51	12	76	89	94	32	21	61	31	12.7	UC203	T204	0.78	
UCT203-11	11/16	5/8	25/64	2-1/64	1-1/4	3/4	2-1/64	15/32	2-63/64	3-1/2	3-11/16	1-1/4	13/16	2-13/32	1.2205	0.5	UC203-11	T204	0.77	
UCT204	20	16	10	51	32	19	51	12	76	89	94	32	21	61	31	12.7	UC204	T204	0.76	
UCT204-12	3/4	5/8	25/64	2-1/64	1-1/4	3/4	2-1/64	15/32	2-63/64	3-1/2	3-11/16	1-1/4	13/16	2-13/32	1.2205	0.5	UC204-12	T204	0.76	
UCT205	25	16	10	51	32	19	51	12	76	89	97	32	24	62	34.1	14.3	UC205	T205	0.81	
UCT205-13	13/16	5/8	25/64	2-1/64	1-1/4	3/4	2-1/64	15/32	2-63/64	3-1/2	3-13/16	1-1/4	15/16	2-7/16	1.3425	0.563	UC205-13	T205	0.85	
UCT205-14	7/8	5/8	25/64	2-1/64	1-1/4	3/4	2-1/64	15/32	2-63/64	3-1/2	3-13/16	1-1/4	15/16	2-7/16	1.3425	0.563	UC205-14	T205	0.84	
UCT205-15	15/16	5/8	25/64	2-1/64	1-1/4	3/4	2-1/64	15/32	2-63/64	3-1/2	3-13/16	1-1/4	15/16	2-7/16	1.3425	0.563	UC205-15	T205	0.82	
UCT205-16	1	5/8	25/64	2-1/64	1-1/4	3/4	2-1/64	15/32	2-63/64	3-1/2	3-13/16	1-1/4	15/16	2-7/16	1.3425	0.563	UC205-16	T205	0.81	
UCT206	30	16	10	56	37	22	57	12	89	102	113	37	28	70	38.1	15.9	UC206	T206	1.22	
UCT206-17	1-1/16	5/8	25/64	2-7/32	1-29/64	55/64	2-1/4	15/32	3-1/2	4-1/64	4-29/64	1-29/64	1-3/32	2-3/4	1.5	0.626	UC206-17	T206	1.23	
UCT206-18	1-1/8	5/8	25/64	2-7/32	1-29/64	55/64	2-1/4	15/32	3-1/2	4-1/64	4-29/64	1-29/64	1-3/32	2-3/4	1.5	0.626	UC206-18	T206	1.24	
UCT206-19	1-3/16	5/8	25/64	2-7/32	1-29/64	55/64	2-1/4	15/32	3-1/2	4-1/64	4-29/64	1-29/64	1-3/32	2-3/4	1.5	0.626	UC206-19	T206	1.22	
UCT206-20	1-1/4	5/8	25/64	2-7/32	1-29/64	55/64	2-1/4	15/32	3-1/2	4-1/64	4-29/64	1-29/64	1-3/32	2-3/4	1.5	0.626	UC206-20	T206	1.21	
UCT207	35	16	13	64	37	22	64	12	89	102	129	37	30	78	42.9	17.5	UC207	T207	1.44	
UCT207-20	1-1/4	5/8	33/64	2-33/64	1-29/64	55/64	2-33/64	15/32	3-1/2	4-1/64	5-5/64	1-29/64	1-3/16	3-5/64	1.689	0.689	UC207-20	T207	1.5	
UCT207-21	1-5/16	5/8	33/64	2-33/64	1-29/64	55/64	2-33/64	15/32	3-1/2	4-1/64	5-5/64	1-29/64	1-3/16	3-5/64	1.689	0.689	UC207-21	T207	1.46	
UCT207-22	1-3/8	5/8	33/64	2-33/64	1-29/64	55/64	2-33/64	15/32	3-1/2	4-1/64	5-5/64	1-29/64	1-3/16	3-5/64	1.689	0.689	UC207-22	T207	1.44	
UCT207-23	1-7/16	5/8	33/64	2-33/64	1-29/64	55/64	2-33/64	15/32	3-1/2	4-1/64	5-5/64	1-29/64	1-3/16	3-5/64	1.689	0.689	UC207-23	T207	1.41	
UCT208	40	19	16	83	49	29	83	16	102	114	144	49	33	89	49.2	19	UC208	T208	2.4	
UCT208-24	1-1/2	3/4	5/8	3-17/64	1-15/16	1-9/64	3-17/64	5/8	4-1/64	4-31/64	5-43/64	1-15/16	1-5/16	3-1/2	1.937	0.748	UC208-24	T208	2.44	
UCT208-25	1-9/16	3/4	5/8	3-17/64	1-15/16	1-9/64	3-17/64	5/8	4-1/64	4-31/64	5-43/64	1-15/16	1-5/16	3-1/2	1.937	0.748	UC208-25	T208	2.41	
UCT209	45	19	16	83	49	29	83	16	102	117	144	49	35	87	49.2	19	UC209	T209	2.36	
UCT209-26	1-5/8	3/4	5/8	3-17/64	1-15/16	1-9/64	3-17/64	5/8	4-1/64	4-39/64	5-43/64	1-15/16	1-3/8	3-27/64	1.937	0.748	UC209-26	T209	2.46	
UCT209-27	1-11/16	3/4	5/8	3-17/64	1-15/16	1-9/64	3-17/64	5/8	4-1/64	4-39/64	5-43/64	1-15/16	1-3/8	3-27/64	1.937	0.748	UC209-27	T209	2.42	
UCT209-28	1-3/4	3/4	5/8	3-17/64	1-15/16	1-9/64	3-17/64	5/8	4-1/64	4-39/64	5-43/64	1-15/16	1-3/8	3-27/64	1.937	0.748	UC209-28	T209	2.38	
UCT210	50	19	16	83	49	29	86	16	102	117	149	49	37	90	51.6	19	UC210	T210	2.43	
UCT210-29	1-13/16	3/4	5/8	3-17/64	1-15/16	1-9/64	3-17/64	5/8	4-1/64	4-39/64	5-55/64	1-15/16	1-15/32	3-35/64	2.0315	0.748	UC210-29	T210	2.55	
UCT210-30	1-7/8	3/4	5/8	3-17/64	1-15/16	1-9/64	3-17/64	5/8	4-1/64	4-39/64	5-55/64	1-15/16	1-15/32	3-35/64	2.0315	0.748	UC210-30	T210	2.5	
UCT210-31	1-15/16	3/4	5/8	3-17/64	1-15/16	1-9/64	3-17/64	5/8	4-1/64	4-39/64	5-55/64	1-15/16	1-15/32	3-35/64	2.0315	0.748	UC210-31	T210	2.45	
UCT210-32	2	3/4	5/8	3-17/64	1-15/16	1-9/64	3-17/64	5/8	4-1/64	4-39/64	5-55/64	1-15/16	1-15/32	3-35/64	2.0315	0.748	UC210-32	T210	2.41	
UCT211	55	25	19	102	64	35	95	22	130	146	171	64	38	106	55.6	22.2	UC211	T211	4.11	
UCT211-32	2	63/64	3/4	4-1/64	2-1/32	1-3/8	3-3/4	55/64	5-1/8	5-3/4	6-47/64	2-33/64	1-1/2	4-11/64	2.189	0.874	UC211-32	T211	4.26	
UCT211-33	2-1/16	63/64	3/4	4-1/64	2-1/32	1-3/8	3-3/4	55/64	5-1/8	5-3/4	6-47/64	2-33/64	1-1/2	4-11/64	2.189	0.874	UC211-33	T211	4.2	
UCT211-34	2-1/8	63/64	3/4	4-1/64	2-1/32	1-3/8	3-3/4	55/64	5-1/8	5-3/4	6-47/64	2-33/64	1-1/2	4-11/64	2.189	0.874	UC211-34	T211	4.15	
UCT211-35	2-3/16	63/64	3/4	4-1/64	2-1/32	1-3/8	3-3/4	55/64	5-1/8	5-3/4	6-47/64	2-33/64	1-1/2	4-11/64	2.189	0.874	UC211-35	T211	4.09	
UCT212	60	32	19	102	64	35	102	22	130	146	194	64	42	119	65.1	25.4	UC212	T212	4.97	
UCT212-36	2-1/4	1-17/64	3/4	4-1/64	2-1/32	1-3/8	4-1/64	55/64	5-1/8	5-3/4	7-41/64	2-33/64	1-21/32	4-11/16	2.563	1	UC212-36	T212	5.1	
UCT212-37	2-5/16	1-17/64	3/4	4-1/64	2-1/32	1-3/8	4-1/64	55/64	5-1/8	5-3/4	7-41/64	2-33/64	1-21/32	4-11/16	2.563	1	UC212-37	T212	5.02	
UCT212-38	2-3/8	1-17/64	3/4	4-1/64	2-1/32	1-3/8	4-1/64	55/64	5-1/8	5-3/4	7-41/64	2-33/64	1-21/32	4-11/16	2.563	1	UC212-38	T212	4.95	
UCT212-39	2-7/16	1-17/64	3/4	4-1/64	2-1/32	1-3/8	4-1/64	55/64	5-1/8	5-3/4	7-41/64	2-33/64	1-21/32	4-11/16	2.563	1	UC212-39	T212	4.88	
UCT213	65	32	21	111	70	41	121	26	151	167	224	70	44	137	65.1	25.4	UC213	T213	6.65	
UCT213-40	2-1/2	1-17/64	53/64	4-3/8	2-3/4	1-39/64	4-49/64	1-1/32	5-15/16	6-37/64	8-13/16	2-3/4	1-23/32	5-25/64	2.563	1	UC213-40	T213	6.74	

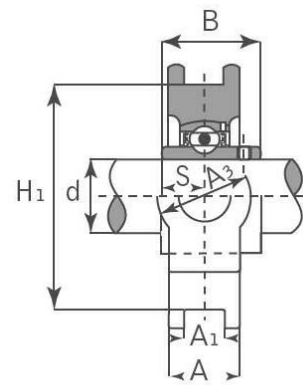
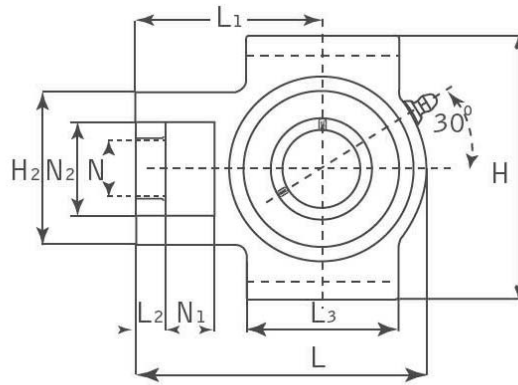




Part No.	Dimension (mm)															Bearing	Housing	Mass	
CMB	d	N1	L2	H2	N2	N	L3	A1	H1	H	L	A	A3	L1	B	S	No.	No.	(kg)
UCT213-41	2-9/16	1-17/64	53/64	4-3/8	2-3/4	1-39/64	4-49/64	1-1/32	5-15/16	6-37/64	8-13/16	2-3/4	1-23/32	5-25/64	2.563	1	UC213-41	T213	6.65
UCT214	70	32	21	111	70	41	121	26	151	167	224	70	46	137	74.6	30.2	UC214	T214	7.05
UCT214-42	2-5/8	1-17/64	53/64	4-3/8	2-3/4	1-39/64	4-49/64	1-1/32	5-15/16	6-37/64	8-13/16	2-3/4	1-13/16	5-25/64	2.937	1.189	UC214-42	T214	7.26
UCT214-43	2-11/16	1-17/64	53/64	4-3/8	2-3/4	1-39/64	4-49/64	1-1/32	5-15/16	6-37/64	8-13/16	2-3/4	1-13/16	5-25/64	2.937	1.189	UC214-43	T214	7.16
UCT214-44	2-3/4	1-17/64	53/64	4-3/8	2-3/4	1-39/64	4-49/64	1-1/32	5-15/16	6-37/64	8-13/16	2-3/4	1-13/16	5-25/64	2.937	1.189	UC214-44	T214	7.06
UCT215	75	32	21	111	70	41	121	26	151	167	232	70	48	140	77.8	33.3	UC215	T215	7.41
UCT215-45	2-13/16	1-17/64	53/64	4-3/8	2-3/4	1-39/64	4-49/64	1-1/32	5-15/16	6-37/64	9-9/64	2-3/4	1-57/64	5-33/64	3.063	1.311	UC215-45	T215	7.66
UCT215-46	2-7/8	1-17/64	53/64	4-3/8	2-3/4	1-39/64	4-49/64	1-1/32	5-15/16	6-37/64	9-9/64	2-3/4	1-57/64	5-33/64	3.063	1.311	UC215-46	T215	7.55
UCT215-47	2-15/16	1-17/64	53/64	4-3/8	2-3/4	1-39/64	4-49/64	1-1/32	5-15/16	6-37/64	9-9/64	2-3/4	1-57/64	5-33/64	3.063	1.311	UC215-47	T215	7.44
UCT215-48	3	1-17/64	53/64	4-3/8	2-3/4	1-39/64	4-49/64	1-1/32	5-15/16	6-37/64	9-9/64	2-3/4	1-57/64	5-33/64	3.063	1.311	UC215-48	T215	7.32
UCT216	80	32	21	111	70	41	121	26	165	184	235	70	51	140	82.6	33.3	UC216	T216	8.3
UCT216-49	3-1/16	1-17/64	53/64	4-3/8	2-3/4	1-39/64	4-49/64	1-1/32	6-1/2	7-1/4	9-1/4	2-3/4	2	5-33/64	3.252	1.311	UC216-49	T216	8.48
UCT216-50	3-1/8	1-17/65	53/65	4-3/9	2-3/5	1-39/65	4-49/65	1-1/33	6-1/3	7-1/5	9-1/5	2-3/5	3	5-33/65	3.2521	1.312	UC216-50	T216	8.35
UCT216-51	3-3/16	1-17/66	53/66	4-3/10	2-3/6	1-39/66	4-49/66	1-1/34	6-1/4	7-1/6	9-1/6	2-3/6	4	5-33/66	3.2522	1.313	UC216-51	T216	8.22
UCT217	85	38	29	124	73	48	157	30	173	198	260	73	54	162	85.7	34.1	UC217	T217	11
UCT217-52	3-1/4	1-1/2	1-9/64	4-7/8	2-7/8	1-57/64	6-3/16	1-3/16	6-13/16	7-51/64	10-15/64	2-7/8	2-1/8	6-3/8	3.374	1.343	UC217-52	T217	11.22
UCT217-53	3-5/16	1-1/2	1-9/64	4-7/8	2-7/8	1-57/64	6-3/16	1-3/16	6-13/16	7-51/64	10-15/64	2-7/8	2-1/8	6-3/8	3.374	1.343	UC217-53	T217	11.09
UCT217-55	3-7/16	1-1/2	1-9/64	4-7/8	2-7/8	1-57/64	6-3/16	1-3/16	6-13/16	7-51/64	10-15/64	2-7/8	2-1/8	6-3/8	3.374	1.343	UC217-55	T217	10.8

UCT300																			
Part No.	Dimension (mm)															Bearing	Housing	Mass	
CMB	d	N1	L2	H2	CMB	d	N1	L2	H2	CMB	d	N1	L2	H2	CMB	d	N1	L2	H2
UCT305	25	16	14	62	36	26	65	12	80	89	122	36	26	76	38	15	UC305	T305	1.4
UCT305-13	13/16	5/8	9/16	2-7/16	1-13/32	1-1/32	2-9/16	0.472	3-5/32	3-1/2	4-13/16	1-13/32	1-1/32	3	1.4961	0.591	UC305-13	T305	1.4
UCT305-14	7/8	5/8	9/16	2-7/16	1-13/32	1-1/32	2-9/16	0.472	3-5/32	3-1/2	4-13/16	1-13/32	1-1/32	3	1.4961	0.591	UC305-14	T305	1.4
UCT305-15	15/16	5/8	9/16	2-7/16	1-13/32	1-1/32	2-9/16	0.472	3-5/32	3-1/2	4-13/16	1-13/32	1-1/32	3	1.4961	0.591	UC305-15	T305	1.4
UCT305-16	1	5/8	9/16	2-7/16	1-13/32	1-1/32	2-9/16	0.472	3-5/32	3-1/2	4-13/16	1-13/32	1-1/32	3	1.4961	0.591	UC305-16	T305	1.4
UCT306	30	18	16	70	41	28	74	16	90	100	137	41	28	85	43	17	UC306	T306	1.8
UCT306-17	1-1/16	23/32	5/8	2-3/4	1-5/8	1-3/32	2-29/32	0.63	3-55/64	3-15/16	5-13/32	1-5/8	1-3/32	3-11/32	1.6929	0.669	UC306-17	T306	1.8
UCT306-18	1-1/8	23/32	5/8	2-3/4	1-5/8	1-3/32	2-29/32	0.63	3-55/64	3-15/16	5-13/32	1-5/8	1-3/32	3-11/32	1.6929	0.669	UC306-18	T306	1.8
UCT306-19	1-3/16	23/32	5/8	2-3/4	1-5/8	1-3/32	2-29/32	0.63	3-55/64	3-15/16	5-13/32	1-5/8	1-3/32	3-11/32	1.6929	0.669	UC306-19	T306	1.8
UCT307	35	20	17	75	45	30	80	16	100	111	150	45	32	94	48	19	UC307	T307	2.4
UCT307-20	1-1/4	20	17	75	45	30	80	16	100	111	150	45	32	94	48	19	UC307-20	T307	2.4
UCT307-21	1-5/16	25/32	43/64	2-15/16	1-25/32	1-3/16	2-5/32	0.63	3-15/16	4-3/8	5-29/32	1-25/32	1-1/4	3-11/16	1.8898	0.748	UC307-21	T307	2.4
UCT307-22	1-3/8	25/32	43/64	2-15/16	1-25/32	1-3/16	2-5/32	0.63	3-15/16	4-3/8	5-29/32	1-25/32	1-1/4	3-11/16	1.8898	0.748	UC307-22	T307	2.4
UCT307-23	1-7/16	25/32	43/64	2-15/16	1-25/32	1-3/16	2-5/32	0.63	3-15/16	4-3/8	5-29/32	1-25/32	1-1/4	3-11/16	1.8898	0.748	UC307-23	T307	2.4
UCT308	40	22	19	83	50	32	89	18	112	124	162	50	34	100	52	19	UC308	T308	3
UCT308-24	1-1/2	7/8	3/4	3-17/64	1-31/32	1-1/4	3-1/2	0.709	4-13/32	4-7/8	6-3/8	1-21/32	1-11/32	3-15/16	2.0472	0.748	UC308-24	T308	3
UCT308-25	1-9/16	7/8	3/4	3-17/64	1-31/32	1-1/4	3-1/2	0.709	4-13/32	4-7/8	6-3/8	1-21/32	1-11/32	3-15/16	2.0472	0.748	UC308-25	T308	3
UCT309	45	24	20	90	55	34	97	18	125	138	178	55	38	110	57	22	UC309	T309	4
UCT309-26	1-5/8	15/16	25/32	3-17/32	2-5/32	1-11/32	3-13/16	0.709	4-59/64	5-7/16	7	2-5/32	1-1/2	4-11/32	2.2441	0.866	UC309-26	T309	4
UCT309-27	1-11/16	15/16	25/32	3-17/32	2-5/32	1-11/32	3-13/16	0.709	4-59/64	5-7/16	7	2-5/32	1-1/2	4-11/32	2.2441	0.866	UC309-27	T309	4
UCT309-28	1-3/4	15/16	25/32	3-17/32	2-5/32	1-11/32	3-13/16	0.709	4-59/64	5-7/16	7	2-5/32	1-1/2	4-11/32	2.2441	0.866	UC309-28	T309	4
UCT310	50	27	22	98	61	37	106	20	140	151	192	61	40	118	61	22	UC310	T310	5
UCT310-29	1-13/16	1-1/16	7/8	3-27/32	2-13/32	1-15/32	4-3/16	0.787	5-33/64	5-15/16	7-9/16	2-13/32	1-9/16	4-21/32	2.4016	0.866	UC310-29	T310	5
UCT310-30	1-7/8	1-1/16	7/8	3-27/32	2-13/32	1-15/32	4-3/16	0.787	5-33/64	5-15/16	7-9/16	2-13/32	1-9/16	4-21/32	2.4016	0.866	UC310-30	T310	5
UCT310-31	1-15/16	1-1/16	7/8	3-27/32	2-13/32	1-15/32	4-3/16	0.787	5-33/64	5-15/16	7-9/16	2-13/32	1-9/16	4-21/32	2.4016	0.866	UC310-31	T310	5
UCT311	55	29	23	105	66	39	115	22	150	163	207	66	44	127	66	25	UC311	T311	6.4
UCT311-32	2	1-15/16	29/32	4-1/8	2-19/32	1-17/32	4-17/32	0.866	5-29/32	6-13/32	8-5/32	2-19/32	1-23/32	5	2.5984	0.984	UC311-32	T311	6.4

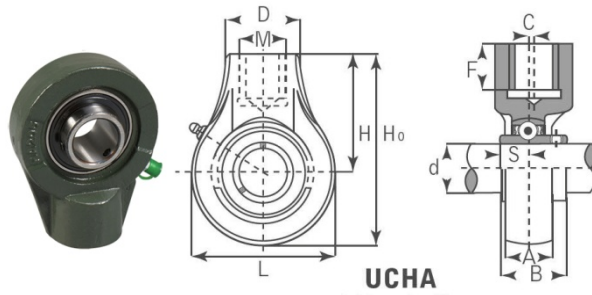




**UCT**

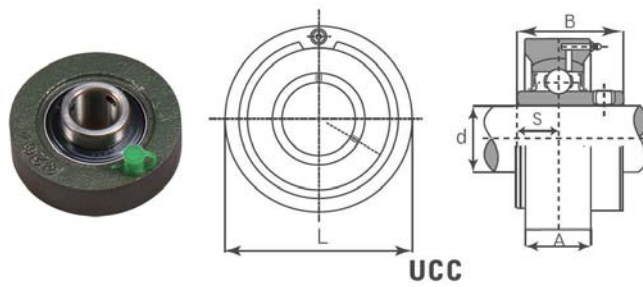
Part No.	Dimension (mm)															Bearing			Housing Mass		
	CMB	d	N1	L2	H2	CMB	d	N1	L2	H2	CMB	d	N1	L2	H2	CMB	d	N1	L2	H2	
UCT311-33	2-1/16	1-15/16	29/32	4-1/8	2-19/32	1-17/32	4-17/32	0.866	5-29/32	6-13/32	8-5/32	2-19/32	1-23/32	5	2.5984	0.984	UC311-33	T311	6.4		
UCT311-34	2-1/8	1-15/16	29/32	4-1/8	2-19/32	1-17/32	4-17/32	0.866	5-29/32	6-13/32	8-5/32	2-19/32	1-23/32	5	2.5984	0.984	UC311-34	T311	6.4		
UCT311-35	2-3/16	1-15/16	29/32	4-1/8	2-19/32	1-17/32	4-17/32	0.866	5-29/32	6-13/32	8-5/32	2-19/32	1-23/32	5	2.5984	0.984	UC311-35	T311	6.4		
UCT312	60	31	25	113	71	41	123	22	160	178	220	71	46	135	71	26	UC312	T312	7.6		
UCT312-36	2-1/4	1-7/32	31/32	4-7/16	2-25/32	1-5/8	4-27/32	0.866	6-19/64	7	8-21/32	2-25/32	1-13/16	5-5/16	2.7953	1.024	UC312-36	T312	7.6		
UCT312-37	2-5/16	1-7/32	31/32	4-7/16	2-25/32	1-5/8	4-27/32	0.866	6-19/64	7	8-21/32	2-25/32	1-13/16	5-5/16	2.7953	1.024	UC312-37	T312	7.6		
UCT312-38	2-3/8	1-7/32	31/32	4-7/16	2-25/32	1-5/8	4-27/32	0.866	6-19/64	7	8-21/32	2-25/32	1-13/16	5-5/16	2.7953	1.024	UC312-38	T312	7.6		
UCT312-39	2-7/16	1-7/32	31/32	4-7/16	2-25/32	1-5/8	4-27/32	0.866	6-19/64	7	8-21/32	2-25/32	1-13/16	5-5/16	2.7953	1.024	UC312-39	T312	7.6		
UCT313	65	32	27	116	70	43	134	26	170	190	238	80	50	146	75	30	UC313	T313	9.7		
UCT313-40	2-1/2	1-17/64	1-1/16	4-9/16	2-3/4	1-11/16	5-9/32	1.024	6-11/16	7-15/32	9-3/8	3-5/32	1-31/32	5-3/4	2.9528	1.181	UC313-40	T313	9.7		
UCT313-41	2-9/16	1-17/64	1-1/16	4-9/16	2-3/4	1-11/16	5-9/32	1.024	6-11/16	7-15/32	9-3/8	3-5/32	1-31/32	5-3/4	2.9528	1.181	UC313-41	T313	9.7		
UCT314	70	36	27	130	85	46	140	26	180	202	252	90	52	155	78	33	UC314	T314	11		
UCT314-42	2-5/8	1-13/32	1-1/16	5-1/8	3-11/32	1-13/16	5-1/2	1.024	7-3/32	7-15/16	9-29/32	3-17/32	2-1/16	6-3/32	3.2283	1.299	UC314-42	T314	11		
UCT314-43	2-11/16	1-13/32	1-1/16	5-1/8	3-11/32	1-13/16	5-1/2	1.024	7-3/32	7-15/16	9-29/32	3-17/32	2-1/16	6-3/32	3.2283	1.299	UC314-43	T314	11		
UCT314-44	2-3/4	1-13/32	1-1/16	5-1/8	3-11/32	1-13/16	5-1/2	1.024	7-3/32	7-15/16	9-29/32	3-17/32	2-1/16	6-3/32	3.2283	1.299	UC314-44	T314	11		
UCT315	75	36	27	132	85	46	150	26	192	216	262	90	55	160	78	32	UC315	T315	14		
UCT315-45	2-13/16	1-13/32	1-1/16	5-3/16	3-11/32	1-13/16	5-29/32	1.024	7-9/16	8-1/2	10-5/16	3-17/32	2-5/32	6-5/16	3.23	1.26	UC315-45	T315	14		
UCT315-46	2-7/8	1-13/32	1-1/16	5-3/16	3-11/32	1-13/16	5-29/32	1.024	7-9/16	8-1/2	10-5/16	3-17/32	2-5/32	6-5/16	3.23	1.26	UC315-46	T315	14		
UCT315-47	2-15/16	1-13/32	1-1/16	5-3/16	3-11/32	1-13/16	5-29/32	1.024	7-9/16	8-1/2	10-5/16	3-17/32	2-5/32	6-5/16	3.23	1.26	UC315-47	T315	14		
UCT315-48	3	1-13/32	1-1/16	5-3/16	3-11/32	1-13/16	5-29/32	1.024	7-9/16	8-1/2	10-5/16	3-17/32	2-5/32	6-5/16	3.23	1.26	UC315-48	T315	14		
UCT316	80	42	30	150	98	53	160	30	204	230	282	102	60	174	86	34	UC316	T316	16		
UCT316-49	3-1/16	1-21/32	1-3/16	5-29/32	3-27/32	2-3/32	6-5/16	1.181	8-1/32	9-1/16	11-3/32	4-1/32	2-3/8	6-27/32	3.2283	1.26	UC316-49	T316	16		
UCT316-50	3-1/8	1-21/32	1-3/16	5-29/32	3-27/32	2-3/32	6-5/16	1.181	8-1/32	9-1/16	11-3/32	4-1/32	2-3/8	6-27/32	3.2283	1.26	UC316-50	T316	16		
UCT316-51	3-3/16	1-21/32	1-3/16	5-29/32	3-27/32	2-3/32	6-5/16	1.181	8-1/32	9-1/16	11-3/32	4-1/32	2-3/8	6-27/32	3.2283	1.26	UC316-51	T316	16		
UCT317	85	42	32	152	98	53	170	32	214	240	298	102	64	183	96	40	UC317	T317	20		
UCT317-52	3-1/4	1-21/32	1-1/4	5-31/32	3-27/32	2-3/32	6-11/16	1.26	8-27/64	9-7/16	11-23/32	4-1/32	2-17/32	7-7/32	3.7795	1.575	UC317-52	T317	20		
UCT317-53	3-5/16	1-21/32	1-1/4	5-31/32	3-27/32	2-3/32	6-11/16	1.26	8-27/64	9-7/16	11-23/32	4-1/32	2-17/32	7-7/32	3.7795	1.575	UC317-53	T317	20		
UCT317-54	3-7/16	1-21/32	1-1/4	5-31/32	3-27/32	2-3/32	6-11/16	1.26	8-27/64	9-7/16	11-23/32	4-1/32	2-17/32	7-7/32	3.7795	1.575	UC317-54	T317	20		
UCT318	90	46	32	160	106	57	175	32	228	255	312	110	66	192	96	40	UC318	T318	22		
UCT318-55	3-7/16	1-13/16	1-1/4	6-5/16	4-3/16	2-1/4	6-7/8	1.26	8-31/32	10-1/32	12-9/32	4-11/32	2-19/32	7-9/16	3.7795	1.575	UC318-55	T318	22		
UCT318-56	3-1/2	1-13/16	1-1/4	6-5/16	4-3/16	2-1/4	6-7/8	1.26	8-31/32	10-1/32	12-9/32	4-11/32	2-19/32	7-9/16	3.7795	1.575	UC318-56	T318	22		
UCT319	95	46	33	165	106	57	180	35	240	270	322	110	72	197	103	41	UC319	T319	24		
UCT319-58	3-5/8	1-13/16	1-5/16	6-1/2	4-3/16	2-1/4	7-3/32	1.378	9-29/64	10-5/8	2-11/16	4-11/32	2-27/32	7-3/4	4.0551	1.614	UC319-58	T319	24		
UCT319-59	3-11/16	1-13/16	1-5/16	6-1/2	4-3/16	2-1/4	7-3/32	1.378	9-29/64	10-5/8	2-11/16	4-11/32	2-27/32	7-3/4	4.0551	1.614	UC319-59	T319	24		
UCT319-60	3-3/4	1-13/16	1-5/16	6-1/2	4-3/16	2-1/4	7-3/32	1.378	9-29/64	10-5/8	2-11/16	4-11/32	2-27/32	7-3/4	4.0551	1.614	UC319-60	T319	24		
UCT320	100	48	32	175	115	59	200	35	260	290	345	120	75	210	108	42	UC320	T320	32		
UCT322	110	52	38	185	125	65	215	38	285	320	385	130	80	235	117	46	UC322	T322	40		
UCT324	120	60	42	210	140	70	230	45	320	355	432	140	90	267	126	51	UC324	T324	55		
UCT326	130	65	45	220	150	75	240	50	350	385	465	150	100	285	135	54	2.12	UC326	T326	69	
UCT328	140	70	50	230	160	80	255	50	380	415	515	155	100	315	145	59	UC328	T328	84		





Part No.	Dimension (mm)										Bearing No.	Housing No.	Mass (kg)
	d	H	H0	L	C	D	M	F	B	S			
UCHA201	12	64	96	64	0	40	G-3/4	19	31	12.7	UC201	HA204	0.73
UCHA201-8	1/2	2-33/64	3-25/32	2-33/64	0	1-37/64	G-3/4	3/4	1.22	0.5	UC201-8	HA204	0.72
UCHA202	15	64	96	64	0	40	G-3/4	19	31	12.7	UC202	HA204	0.72
UCHA202-9	9/16	2-33/64	3-25/32	2-33/64	0	1-37/64	G-3/4	3/4	1.22	0.5	UC202-9	HA204	0.72
UCHA202-10	5/8	2-33/64	3-25/32	2-33/64	0	1-37/64	G-3/4	3/4	1.22	0.5	UC202-10	HA204	0.72
UCHA203	17	64	96	64	0	40	G-3/4	19	31	12.7	UC203	HA204	0.71
UCHA203-11	11/16	2-33/64	3-25/32	2-33/64	0	1-37/64	G-3/4	3/4	1.22	0.5	UC203-11	HA204	0.7
UCHA204	20	64	96	64	0	40	G-3/4	19	31	12.7	UC204	HA204	0.69
UCHA204-12	3/4	2-33/64	3-25/32	2-33/64	0	1-37/64	G-3/4	3/4	1.22	0.5	UC204-12	HA204	0.69
UCHA205	25	78	103	78	0	40	G-3/4	19	34.1	14.3	UC205	HA205	0.83
UCHA205-13	13/16	3-5/64	4-1/16	3-5/64	0	1-37/64	G-3/4	3/4	1.3425	0.56	UC205-13	HA205	0.87
UCHA205-14	7/8	3-5/64	4-1/16	3-5/64	0	1-37/64	G-3/4	3/4	1.3425	0.56	UC205-14	HA205	0.86
UCHA205-15	15/16	3-5/64	4-1/16	3-5/64	0	1-37/64	G-3/4	3/4	1.3425	0.56	UC205-15	HA205	0.84
UCHA205-16	1	3-5/64	4-1/16	3-5/64	0	1-37/64	G-3/4	3/4	1.3425	0.56	UC205-16	HA205	0.83
UCHA206	30	78	103	78	0	40	G-3/4	19	38.1	15.9	UC206	HA206	0.83
UCHA206-17	1-1/16	3-5/64	4-1/16	3-5/64	0	1-37/64	G-3/4	3/4	1.5	0.63	UC206-17	HA206	0.86
UCHA206-18	1-1/8	3-5/64	4-1/16	3-5/64	0	1-37/64	G-3/4	3/4	1.5	0.63	UC206-18	HA206	0.85
UCHA206-19	1-3/16	3-5/64	4-1/16	3-5/64	0	1-37/64	G-3/4	3/4	1.5	0.63	UC206-19	HA206	0.83
UCHA206-20	1-1/4	3-5/64	4-1/16	3-5/64	0	1-37/64	G-3/4	3/4	1.5	0.63	UC206-20	HA206	0.82
UCHA207	35	92	116	92	0	40	G-3/4	19	42.9	17.5	UC207	HA207	1.16
UCHA207-20	1-1/4	3-5/8	4-9/16	3-5/8	0	1-37/64	G-3/4	3/4	1.69	0.69	UC207-20	HA207	1.22
UCHA207-21	1-5/16	3-5/8	4-9/16	3-5/8	0	1-37/64	G-3/4	3/4	1.69	0.69	UC207-21	HA207	1.19
UCHA207-22	1-3/8	3-5/8	4-9/16	3-5/8	0	1-37/64	G-3/4	3/4	1.69	0.69	UC207-22	HA207	1.16
UCHA207-23	1-7/16	3-5/8	4-9/16	3-5/8	0	1-37/64	G-3/4	3/4	1.69	0.69	UC207-23	HA207	1.13
UCHA208	40	96	121	96	2	40	G-3/4	19	49.2	19	UC208	HA208	1.32
UCHA208-24	1-1/2	3-25/32	4-49/64	3-25/32	5/64	1-37/64	G-3/4	3/4	1.94	0.75	UC208-24	HA208	1.36
UCHA208-25	1-9/16	3-25/32	4-49/64	3-25/32	5/64	1-37/64	G-3/4	3/4	1.94	0.75	UC208-25	HA208	1.33
UCHA209	45	108	136	108	5	48	G1	21	49.2	19	UC209	HA209	1.92
UCHA209-26	1-5/8	4-1/4	5-23/64	4-1/4	13/64	1-57/64	G1	53/64	1 9370	0.75	UC209-26	HA209	2.02
UCHA209-27	1-11/16	4-1/4	5-23/64	4-1/4	13/64	1-57/64	G1	53/64	1 9370	0.75	UC209-27	HA209	1.98
UCHA209-28	1-3/4	4-1/4	5-23/64	4-1/4	13/64	1-57/64	G1	53/64	1 9370	0.75	UC209-28	HA209	1.94
UCHA210	50	118	142	118	5	48	G1	21	51.6	19	UC210	HA210	1.9
UCHA210-29	1-13/16	4-41/64	5-19/32	4-41/64	13/64	1-57/64	G1	53/64	2.03	0.75	UC210-29	HA210	2.02
UCHA210-30	1-7/8	4-41/64	5-19/32	4-41/64	13/64	1-57/64	G1	53/64	2.03	0.75	UC210-30	HA210	1.97
UCHA210-31	1-15/16	4-41/64	5-19/32	4-41/64	13/64	1-57/64	G1	53/64	2.03	0.75	UC210-31	HA210	1.92
UCHA210-32	2	4-41/64	5-19/32	4-41/64	13/64	1-57/64	G1	53/64	2.03	0.75	UC210-32	HA210	1.88
UCHA211	55	126	150	126	7	60	G1-1/4	25	55.6	22.2	UC211	HA211	2.61
UCHA211-32	2	4-61/64	5-29/32	4-61/64	9/32	2-23/64	G1-1/4	63/64	2.19	0.87	UC211-32	HA211	2.76
UCHA211-33	2-1/16	4-61/64	5-29/32	4-61/64	9/32	2-23/64	G1-1/4	63/64	2.19	0.87	UC211-33	HA211	2.7
UCHA211-34	2-1/8	4-61/64	5-29/32	4-61/64	9/32	2-23/64	G1-1/4	63/64	2.19	0.87	UC211-34	HA211	2.65
UCHA211-35	2-3/16	4-61/64	5-29/32	4-61/64	9/32	2-23/64	G1-1/4	63/64	2.19	0.87	UC211-35	HA211	2.59
UCHA212	60	142	173	142	9	60	G1-1/4	28	65.1	25.4	UC212	HA212	3.54
UCHA212-36	2-1/4	5-19/32	6-13/16	5-19/32	23/64	2-23/64	G1-1/4	1-7/64	2.56	1	UC212-36	HA212	3.67
UCHA212-37	2-5/16	5-19/32	6-13/16	5-19/32	23/64	2-23/64	G1-1/4	1-7/64	2.56	1	UC212-37	HA212	3.59
UCHA212-38	2-3/8	5-19/32	6-13/16	5-19/32	23/64	2-23/64	G1-1/4	1-7/64	2.56	1	UC212-38	HA212	3.52
UCHA212-39	2-7/16	5-19/32	6-13/16	5-19/32	23/64	2-23/64	G1-1/4	1-7/64	2.56	1	UC212-39	HA212	3.45
UCHA213	65	166	200	166	9.5	70	G1-1/2	32	65.1	25.4	UC213	HA213	5.8
UCHA213-40	2-1/2	6-17/32	7-7/8	6-17/32	3/8	2-3/4	G1-1/2	1-17/64	2.56	1	UC213-40	HA213	5.89
UCHA213-41	2-9/16	6-17/32	7-7/8	6-17/32	3/8	2-3/4	G1-1/2	1-17/64	2.56	1	UC213-41	HA213	5.8
UCHA214	70	166	200	166	9.5	70	G1-1/2	32	74.6	30.2	UC214	HA214	5.67
UCHA214-42	2-5/8	6-17/32	7-7/8	6-17/32	3/8	2-3/4	G1-1/2	1-17/64	2.94	1.19	UC214-42	HA214	5.67
UCHA214-43	2-11/16	6-17/32	7-7/8	6-17/32	3/8	2-3/4	G1-1/2	1-17/64	2.94	1.19	UC214-43	HA214	5.67
UCHA214-44	2-3/4	6-17/32	7-7/8	6-17/32	3/8	2-3/4	G1-1/2	1-17/64	2.94	1.19	UC214-44	HA214	5.67
UCHA215	75	166	200	166	9.5	70	G1-1/2	32	77.8	33.3	UC215	HA215	5.58
UCHA215-45	2-13/16	6-17/32	7-7/8	6-17/32	3/8	2-3/4	G1-1/2	1-17/64	3.06	1.31	UC215-45	HA215	5.58
UCHA215-46	2-7/8	6-17/32	7-7/8	6-17/32	3/8	2-3/4	G1-1/2	1-17/64	3.06	1.31	UC215-46	HA215	5.58
UCHA215-47	2-15/16	6-17/32	7-7/8	6-17/32	3/8	2-3/4	G1-1/2	1-17/64	3.06	1.31	UC215-47	HA215	5.58
UCHA215-48	3	6-17/32	7-7/8	6-17/32	3/8	2-3/4	G1-1/2	1-17/64	3.06	1.31	UCHA215-48	HA215	5.58





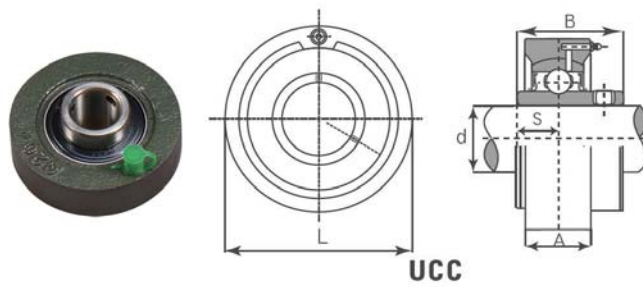
**UCC200**

Part No.	Dimension (mm)						Bearing	Housing	Mass
CMB	d	L	A	r	B	S	No.	No.	(kg)
UCC201	12	72	20	2	31	12.7	UC201	C204	0.52
UCC201-8	1/2	2.83	25/32	0.08	1.2205	0.5	UC201-8	C204	0.51
UCC202	15	72	20	2	31	12.7	UC202	C204	0.51
UCC202-9	9/16	2.83	25/32	0.08	1.22	0.5	UC202-9	C204	0.51
UCC202-10	5/8	2.83	25/32	0.08	1.22	0.5	UC202-10	C204	0.51
UCC203	17	72	20	2	31	12.7	UC203	C204	0.5
UCC203-11	11/16	2.83	25/32	0.08	1.22	0.5	UC203-11	C204	0.49
UCC204	20	72	20	2	31	12.7	UC204	C204	0.48
UCC204-12	3/4	2.83	25/32	0.08	1.22	0.5	UC204-12	C204	0.48
UCC205	25	80	22	2	34.1	14.3	UC205	C205	0.63
UCC205-13	13/16	3.15	55/64	0.08	1.34	0.56	UC205-13	C205	0.67
UCC205-14	7/8	3.15	55/64	0.08	1.34	0.56	UC205-14	C205	0.66
UCC205-15	15/16	3.15	55/64	0.08	1.34	0.56	UC205-15	C205	0.64
UCC205-16	1	3.15	55/64	0.08	1.34	0.56	UC205-16	C205	0.63
UCC206	30	85	27	2	38.1	15.9	UC206	C206	0.8
UCC206-17	1-1/16	3.35	1-1/16	0.08	1.5	0.63	UC206-17	C206	0.83
UCC206-18	1-1/8	3.35	1-1/16	0.08	1.5	0.63	UC206-18	C206	0.82
UCC206-19	1-3/16	3.35	1-1/16	0.08	1.5	0.63	UC206-19	C206	0.8
UCC206-20	1-1/4	3.35	1-1/16	0.08	1.5	0.63	UC206-20	C206	0.79
UCC207	35	90	28	2	42.9	17.5	UC207	C207	0.93
UCC207-20	1-1/4	3.54	1-7/64	0.08	1.69	0.69	UC207-20	C207	0.99
UCC207-21	1-5/16	4.54	1-7/65	0.08	1.69	0.69	UC207-21	C207	0.96
UCC207-22	1-3/8	5.54	1-7/66	0.08	1.69	0.69	UC207-22	C207	0.93
UCC207-23	1-7/16	6.54	1-7/67	0.08	1.69	0.69	UC207-23	C207	0.9
UCC208	40	100	30	2.5	49.2	19	UC208	C208	1.22
UCC208-24	1-1/2	3.94	1-3/16	0.1	1.94	0.75	UC208-24	C208	1.26
UCC208-25	1-9/16	3.94	1-3/16	0.1	1.94	0.75	UC208-25	C208	1.23
UCC209	45	110	31	2.5	49.2	19	UC209	C209	1.49
UCC209-26	1-5/8	4.33	1-7/32	0.1	1.94	0.75	UC209-26	C209	1.59
UCC209-27	1-11/16	4.33	1-7/32	0.1	1.94	0.75	UC209-27	C209	1.55
UCC209-28	1-3/4	4.33	1-7/32	0.1	1.94	0.75	UC209-28	C209	1.51
UCC210	50	120	33	2.5	51.6	19	UC210	C210	1.9
UCC210-29	1-13/16	4.72	1-19/64	0.1	2.03	0.75	UC210-29	C210	2.02
UCC210-30	1-7/8	4.72	1-19/64	0.1	2.03	0.75	UC210-30	C210	1.97
UCC210-31	1-15/16	4.72	1-19/64	0.1	2.03	0.75	UC210-31	C210	1.92
UCC210-32	2	4.72	1-19/64	0.1	2.03	0.75	UC210-32	C210	1.88
UCC211	55	125	35	2.5	55.6	22.2	UC211	C211	2.18
UCC211-32	2	4.92	1-3/8	0.1	2.19	0.87	UC211-32	C211	2.33
UCC211-33	2-1/16	4.92	1-3/8	0.1	2.19	0.87	UC211-33	C211	2.27
UCC211-34	2-1/8	4.92	1-3/8	0.1	2.19	0.87	UC211-34	C211	2.22
UCC211-35	2-3/16	4.92	1-3/8	0.1	2.19	0.87	UC211-35	C211	2.16
UCC212	60	130	38	2.5	65.1	25.4	UC212	C212	2.52
UCC212-36	2-1/4	5.12	1-1/2	0.1	2.56	1	UC212-36	C212	2.65
UCC212-37	2-5/16	5.12	1-1/2	0.1	2.56	1	UC212-37	C212	2.57
UCC212-38	2-3/8	5.12	1-1/2	0.1	2.56	1	UC212-38	C212	2.5
UCC212-39	2-7/16	5.12	1-1/2	0.1	2.56	1	UC212-39	C212	2.43
UCC213	65	140	40	3	65.1	25.4	UC213	C213	2.98
UCC213-40	2-1/2	5.51	1-37/64	0.12	2.56	1	UC2 13-40	C213	3.07
UCC213-41	2-9/16	5.51	1-37/64	0.12	2.56	1	UC213-41	C213	2.98

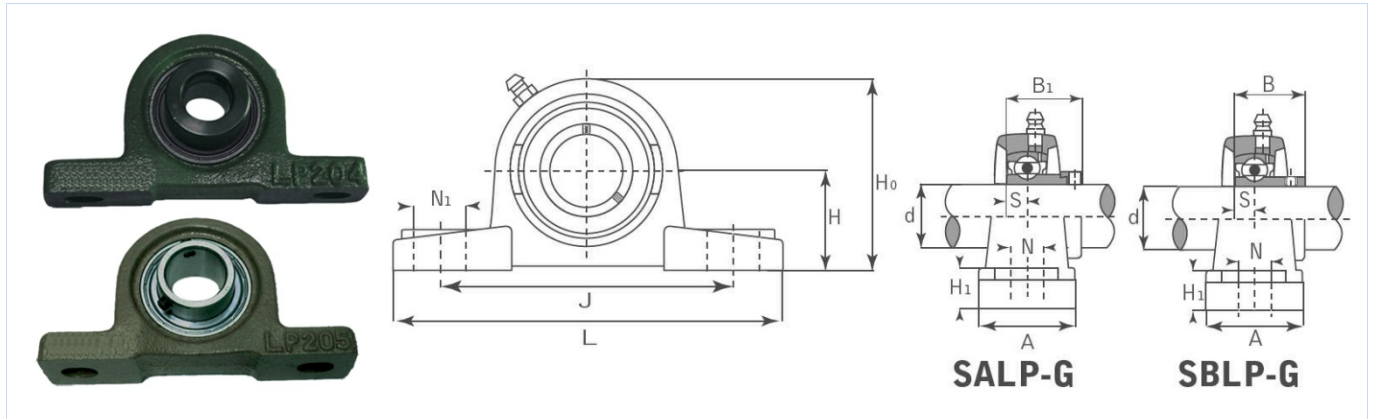
**UCC300**

Part No.	Dimension (mm)						Bearing	Housing	Mass
CMB	d	L	A	r	B	S	No.	No.	(kg)
UCC305	25	90	26	2.5	38	15	UC305	C305	1.1
UCC305-13	13/16	3.54	1-1/32	0.1	1.5	0.59	UC305-13	C305	1.15
UCC305-14	7/8	3.54	1-1/32	0.1	1.5	0.59	UC305-14	C305	1.13
UCC305-15	15/16	3.54	1-1/32	0.1	1.5	0.59	UC305-15	C305	1.11
UCC305-16	1	3.54	1-1/32	0.1	1.5	0.59	UC305-16	C305	1.1
UCC306	30	100	28	2.5	43	17	UC306	C306	1.4
UCC306-17	1-1/16	3.94	1-7/64	0.1	1.69	0.67	UC306-17	C306	1.45





Part No.	Dimension (mm)						Bearing	Housing	Mass
CMB	d	L	A	r	B	S	No.	No.	(kg)
UCC306-18	1-1/8	3.94	1-7/64	0.1	1.69	0.67	UC306-18	C306	1.42
UCC306-19	1-3/16	3.94	1-7/64	0.1	1.69	0.67	UC306-19	C306	1.4
UCC307	35	110	32	3	48	19	UC307	C307	1.8
UCC307-20	1-1/4	1.33	1-1/64	0.12	1.89	0.75	UC307-20	C307	1.86
UCC307-21	1-5/16	1.33	1-1/64	0.12	1.89	0.75	UC307-21	C307	1.83
UCC307-22	1-3/8	1.33	1-1/64	0.12	1.89	0.75	UC307-22	C307	1.8
UCC307-23	1-7/16	1.33	1-1/64	0.12	1.89	0.75	UC307-23	C307	1.78
UCC308	40	120	34	3	52	19	UC308	C308	2.2
UCC308-24	1-1/2	4.72	1-11/32	0.12	2.05	0.75	UC308-24	C308	2.25
UCC308-25	1-9/16	4.72	1-11/32	0.12	2.05	0.75	UC308-25	C308	2.21
UCC309	45	130	38	3.5	57	22	UC309	C309	2.7
UCC309-26	1-5/8	2.12	36893	0.14	2.44	0.87	UC309-26	C309	2.81
UCC309-27	1-11/16	2.12	36893	0.14	2.44	0.87	UC309-27	C309	2.77
UCC309-28	1-3/4	2.12	36893	0.14	2.44	0.87	UC309-28	C309	2.72
UCC310	50	140	40	3.5	61	22	UC310	C310	3.3
UCC310-29	1-13/16	5.12	1-37/64	0.14	2.4	0.87	UC310-29	C310	3.62
UCC310-30	1-7/8	5.12	1-37/64	0.14	2.4	0.87	UC310-30	C310	3.39
UCC310-31	1-15/16	5.12	1-37/64	0.14	2.4	0.87	UC310-31	C310	3.33
UCC311	55	150	44	3.5	66	25	UC311	C311	3.9
UCC311-32	2	5.91	1-47/64	0.14	2.6	0.98	UC311-32	C311	1.08
UCC311-33	2-1/16	5.91	1-47/64	0.14	2.6	0.98	UC311-33	C311	4.01
UCC311-34	2-1/8	5.91	1-47/64	0.14	2.6	0.98	UC311-34	C311	3.95
UCC311-35	2-3/16	5.91	1-47/64	0.14	2.6	0.98	UC311-35	C311	3.87
UCC312	60	160	46	3.5	71	26	UC312	C312	4.8
UCC312-36	2-1/4	6.3	1-13/16	0.14	2.8	1.02	UC312-36	C312	4.95
UCC312-37	2-5/16	6.3	1-13/16	0.14	2.8	1.02	UC312-37	C312	4.87
UCC312-38	2-3/8	6.3	1-13/16	0.14	2.8	1.02	UC312-38	C312	4.78
UCC312-39	2-7/16	6.3	1-13/16	0.14	2.8	1.02	UC312-39	C312	4.7
UCC313	65	170	50	3.5	75	30	UC313	C313	5.8
UCC313-40	2-1/2	6.69	1-31/32	0.14	2.95	1.18	UC313-40	C313	5.89
UCC313-41	2-9/16	6.69	1-31/32	0.14	2.95	1.18	UC313-41	C313	5.89
UCC314	70	180	52	4	78	33	UC314	C314	6.6
UCC314-42	2-5/8	7.09	2-3/64	0.16	3.07	1.3	UC314-42	C314	6.82
UCC314-43	2-11/16	7.09	2-3/64	0.16	3.07	1.3	UC314-43	C314	6.71
UCC314-44	2-3/4	7.09	2-3/64	0.16	3.07	1.3	UC314-44	C314	6.61
UCC315	75	190	55	4	82	32	UC315	C315	7.8
UCC315-45	2-13/16	7.48	2-11/64	0.16	3.23	1.26	UC315-45	C315	8.07
UCC315-46	2-7/8	7.48	2-11/64	0.16	3.23	1.26	UC315-46	C315	7.93
UCC315-47	2-15/16	7.48	2-11/64	0.16	3.23	1.26	UC315-47	C315	7.84
UCC315-48	3	7.48	2-11/64	0.16	3.23	1.26	UC315-48	C315	7.71
UCC316	80	200	60	4	86	34	UC316	C316	9.05
UCC316-49	3-1/16	7.87	2-23/64	0.16	3.39	1.34	UC316-49	C316	9.22
UCC316-50	3-1/8	7.87	2-23/64	0.16	3.39	1.34	UC316-50	C316	9.08
UCC316-51	3-3/16	7.87	2-23/64	0.16	3.39	1.34	UC316-51	C316	8.99
UCC317	85	215	64	4	96	40	UC317	C317	10.97
UCC317-52	3-1/4	8.46	2-33/64	0.16	3.78	1.57	UC317-52	C317	11.19
UCC317-53	3-5/16	8.46	2-33/64	0.16	3.78	1.57	UC317-53	C317	11.06
UCC317-54	3-7/16	8.46	2-33/64	0.16	3.78	1.57	UC317-54	C317	10.74
UCC318	90	225	66	4	96	40	UC318	C318	11.96
UCC318-55	3-7/16	8.86	2-19/32	0.16	3.78	1.57	UC318-55	C318	12.25
UCC318-56	3-1/2	8.86	2-19/32	0.16	3.78	1.57	UC318-56	C318	12.07
UCC319	95	240	72	4	103	41	UC319	C319	15
UCC319-58	3-5/8	9.45	2-53/64	0.16	4.06	1.61	UC319-58	C319	15.33
UCC319-59	3-11/16	9.45	2-53/64	0.16	4.06	1.61	UC319-59	C319	15.15
UCC319-60	3-3/4	9.45	2-53/64	0.16	4.06	1.61	UC319-60	C319	14.96
UCC320	100	260	75	4	108	42	UC320	C320	19.6
UCC322	110	300	80	5	117	46	UC322	C322	29.2
UCC324	120	320	90	5	126	51	UC324	C324	35.9
UCC326	130	340	100	5	135	54	UC326	C326	43
UCC328	140	360	100	5	145	59	UC328	C328	52.9



**SALP200**

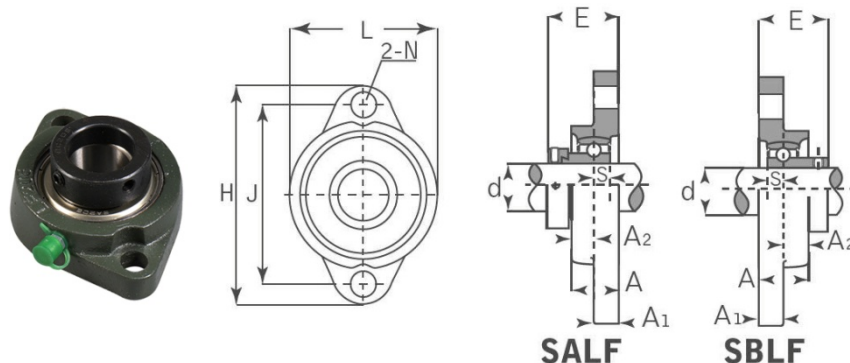
Part No.	Dimension (mm)												Bearing	Housing	Mass	
CMB	d(in)	d(mm)	H	L	J	A	H0	N	N1	H1	S	B1	Bolt	No.	No.	(kg)
SALP201G		12	30.2	114	87	25	57	11	16	12	6.5	28.6	M10	SA201G	LP203	0.4
SALP201-8G	1/2		30.2	114	87	25	57	11	16	12	6.5	28.6	M10	SA201-8G	LP203	0.4
SALP202G		15	30.2	114	87	25	57	11	16	12	6.5	28.6	M10	SA202G	LP203	0.4
SALP202-10G	5/8		30.2	114	87	25	57	11	16	12	6.5	28.6	M10	SA202-10G	LP203	0.4
SALP203G		17	30.2	114	87	25	57	11	16	12	6.5	28.6	M10	A203G	LP203	0.4
SALP203-11G	11/16		30.2	114	87	25	57	11	16	12	6.5	28.6	M10	SA203-11G	LP203	0.4
SALP204-12G	3/4		33.3	125	97	27	63.8	11.5	16	14	7.5	30.9	M10	SA204-12G	LP204	0.52
SALP204G		20	33.3	125	97	27	63.8	11.5	16	14	7.5	30.9	M10	SA204G	LP204	0.52
SALP205-14G	7/8		36.5	130	100	29	69.5	11.5	16	15	7.5	30.9	M10	SA205-14G	LP205	0.61
SALP205-15G	15/16		36.5	130	100	29	69.5	11.5	16	15	7.5	30.9	M10	A205-15G	LP205	0.61
SALP205G		25	36.5	130	100	29	69.5	11.5	16	15	7.5	30.9	M10	SA205G	LP205	0.61
SALP205-16G	1		36.5	130	100	29	69.5	11.5	16	15	7.5	30.9	M10	SA205-16G	LP205	0.61
SALP206-18G	1-1/8		42.8	156	121	33	82	14	21	16	9	35.7	M12	SA206-18G	LP206	0.73
SALP206G		30	42.9	156	121	33	82	14	21	16	9	35.7	M12	SA206-18G	LP206	0.73
SALP206-19G	1-3/16		42.9	156	121	33	82	14	21	16	9	35.7	M12	SA206-19G	LP206	0.73
SALP06-20G	1-1/4		42.9	156	121	33	82	14	21	16	9	35.7	M12	A206-20G	LP206	0.73
SALP207-20G	1-1/4		47.6	165	127	35	93	14	21	16	9.5	38.9	M12	A207-20G	LP207	1
SALP207-21G	1-5/16		47.6	165	127	35	93	14	21	16	9.5	38.9	M12	SA207-21G	LP207	1
SALP207-22G	1-3/8		47.6	165	127	35	93	14	21	16	9.5	38.9	M12	SA207-22G	LP207	1
SALP207G		35	47.6	165	127	35	93	14	21	16	9.5	38.9	M12	SA207G	LP207	1
SALP207-23G	1-7/16		47.6	165	127	35	93	14	21	16	9.5	38.9	M12	A207-23G	LP207	1

**SBLP200**

Part No.	Dimension (mm)												Bearing	Housing	Mass	
CMB	d(in)	d(mm)	H	L	J	A	H0	N	N1	H1	S	B1	Bolt	No.	No.	(kg)
SBLP201G		12	30.2	114	87	25	57	11	16	12	6	22	M10	SB201G	LP203	0.36
SBLP201-8G	1/2		30.2	114	87	25	57	11	16	12	6	22	M10	SB201-8G	LP203	0.36
SBLP202G		15	30.2	114	87	25	57	11	16	12	6	22	M10	SB202G	LP203	0.36
SBLP202-10G	5/8		30.2	114	87	25	57	11	16	12	6	22	M10	SB202-10G	LP203	0.36
SBLP203G		17	30.2	114	87	25	57	11	16	12	6	22	M10	SB203G	LP203	0.34
SBLP203-11G	11/16		30.2	114	87	25	57	11	16	12	6	22	M10	SB203-11G	LP203	0.34
SBLP204-12G	3/4		33.3	125	97	27	63.8	11.5	16	14	7	25	M10	SB204-12G	LP204	0.5
SBLP204-G		20	33.3	125	97	27	63.8	11.5	16	14	7	25	M10	SB204	LP204	0.5
SBLP205-14G	7/8		36.5	130	100	29	69.5	11.5	16	15	7.5	27	M10	SB205-14G	LP205	0.6
SBLP205-15G	15/16		36.5	130	100	29	69.5	11.5	16	15	7.5	27	M10	SB205-15G	LP205	0.6
SBLP05G		25	36.5	130	100	29	69.5	11.5	16	15	7.5	27	M10	SB205G	LP205	0.6
SBLP205-18G	1		36.5	130	100	29	69.5	11.5	16	15	7.5	27	M10	SB05-16G	LP205	0.6
SBLP206-18G	1-1/8		42.9	156	121	33	82	14	21	16	8	30	M12	SB206-18G	LP206	0.7
SBLP206G		30	42.9	156	121	33	82	14	21	16	8	30	M12	SB206G	LP206	0.7
SBLP206-19G	1-3/16		42.9	156	121	33	82	14	21	16	8	30	M12	SB206-19G	LP206	0.7
SBLP206-20G	1-1/4		42.9	156	121	33	82	14	21	16	8	30	M12	SB206-20G	LP206	0.7
SBLP207-20G	1-1/4		47.6	165	127	35	93	14	21	16	8.5	32	M12	SB207-20G	LP207	0.95
SBLP207-21G	1-5/16		47.6	165	127	35	93	14	21	16	8.5	32	M12	SB207-21G	LP207	0.95
SBLP207-22G	1-3/8		47.6	165	127	35	93	14	21	16	8.5	32	M12	SB207-22G	LP207	0.95
SBLP207G		35	47.6	165	127	35	93	14	21	16	8.5	32	M12	SB207G	LP207	0.95
SBLP207-23G	1-7/16		47.6	165	127	35	93	14	21	16	8.5	32	M12	SB207-23G	LP207	0.95







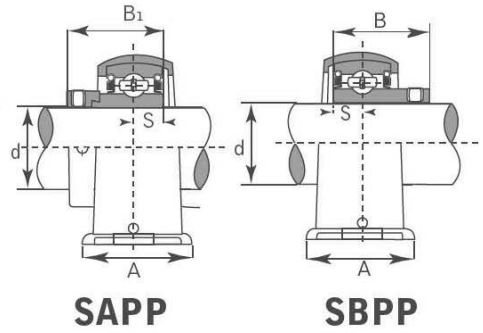
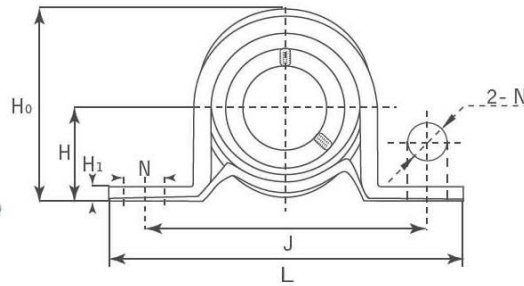
**SALF200**

Part No.	Dimension (mm)												Bearing	Housing	Mass
CMB	d	H	J	L	A1	N A	2	A	E	B1	S	Bolt	No.	No.	(kg)
SALF201	12	81	63.5	56	9.5	8	9.5	18	31.6	28.6	6.5	M6	SA201	LF203	0.3
SALF201-8	1/2	3-3/16	2-1/2	2-13/64	3/8	5/16	3/8	45/64	1-1/4	1.126	0.2559	1/4	SA201-8	LF203	0.3
SALF202	15	81	63.5	56	9.5	8	9.5	18	31.6	28.6	6.5	M6	SA202	LF203	0.3
SALF202-9	9/16	3-3/16	2-1/2	2-13/64	3/8	5/16	3/8	45/64	1-1/4	1.126	0.2559	1/4	SA202-9	LF203	0.3
SALF202-10	5/8	3-3/16	2-1/2	2-13/64	3/8	5/16	3/8	45/64	1-1/4	1.126	0.2559	1/4	SA202-10	LF203	0.3
SALF203	17	81	63.5	56	9.5	8	9.5	18	31.6	28.6	6.5	M6	SA203	LF203	0.3
SALF203-11	11/16	3-3/16	2-1/2	2-13/64	3/8	5/16	3/8	45/64	1-1/4	1.126	0.2559	1/4	SA203-11	LF203	0.3
SALF204	20	90	71.5	61	11	10	11	20	34.5	31	7.5	M8	SA204	LF204	0.4
SALF204-12	3/4	3-35/64	2-13/16	2-13/32	7/16	25/64	7/16	25/32	1-23/64	1.2204	0.2953	5/16	SA204-12	LF204	0.4
SALF205	25	95	76	64	11	10	11	20	34.5	31	7.5	M8	SA205	LF205	0.5
SALF205-13	13/16	3-3/4	2-63/64	2-33/64	7/16	25/64	7/16	25/32	1-23/64	1.2204	0.2953	5/16	SA205-13	LF205	0.5
SALF205-14	7/8	3-3/4	2-63/64	2-33/64	7/16	25/64	7/16	25/32	1-23/64	1.2204	0.2953	5/16	SA205-14	LF205	0.5
SALF205-15	15/16	3-3/4	2-63/64	2-33/64	7/16	25/64	7/16	25/32	1-23/64	1.2204	0.2953	5/16	SA205-15	LF205	0.5
SALF205-16	1	3-3/4	2-63/64	2-33/64	7/16	25/64	7/16	25/32	1-23/64	1.2204	0.2953	5/16	SA205-16	LF205	0.5
SALF206	30	113	90.5	76	12	12	12	22.5	38.7	35.7	9	M10	SA206	LF206	0.7
SALF206-17	1-1/16	4-7/16	3-9/16	3	15/32	15/32	15/32	57/64	1-33/64	1.4055	0.3543	3/8	SA206-17	LF206	0.7
SALF206-18	1-1/8	4-7/16	3-9/16	3	15/32	15/32	15/32	57/64	1-33/64	1.4055	0.3543	3/8	SA206-18	LF206	0.7
SALF206-19	1-3/16	4-7/16	3-9/16	3	15/32	15/32	15/32	57/64	1-33/64	1.4055	0.3543	3/8	SA206-19	LF206	0.7
SALF206-20	1-1/4	4-7/16	3-9/16	3	15/32	15/32	15/32	57/64	1-33/64	1.4055	0.3543	3/8	SA206-20	LF206	0.7
SALF207	35	122	100	89	13	12	13	24	42.4	38.9	9.5	M10	SA207	LF207	0.9
SALF207-20	1-1/4	4-13/16	3-15/16	3-1/2	33/64	15/32	33/64	61/64	1-43/64	1.5315	0.374	3/8	SA207-20	LF207	0.9
SALF207-21	1-5/16	4-13/16	3-15/16	3-1/2	33/64	15/32	33/64	61/64	1-43/64	1.5315	0.374	3/8	SA207-21	LF207	0.9
SALF207-22	1-3/8	4-13/16	3-15/16	3-1/2	33/64	15/32	33/64	61/64	1-43/64	1.5315	0.374	3/8	SA207-22	LF207	0.9
SALF207-23	1-7/16	4-13/16	3-15/16	3-1/2	33/64	15/32	33/64	61/64	1-43/64	1.5315	0.374	3/8	SA207-23	LF207	0.9

**SBLF200**

Part No.	Dimension (mm)												Bearing	Housing	Mass
CMB	d	H	J	L	A1	N A	2	A	E	B1	S	Bolt	No.	No.	(kg)
SBLF201	12	81	63.5	56	9.5	8	9.5	18	25.5	22	6	M6	SB201	LF203	0.3
SBLF201-8	1/2	3-3/16	2-1/2	2-13/64	3/8	5/16	3/8	45/64	1	0.8661	0.2362	1/4	SB201-8	LF203	0.3
SBLF202	15	81	63.5	56	9.5	8	9.5	18	25.5	22	6	M6	SB202	LF203	0.3
SBLF202-9	9/16	3-3/16	2-1/2	2-13/64	3/8	5/16	3/8	45/64	1	0.8661	0.2362	1/4	SB202-9	LF203	0.3
SBLF202-10	5/8	3-3/16	2-1/2	2-13/64	3/8	5/16	3/8	45/64	1	0.8661	0.2362	1/4	SB202-10	LF203	0.3
SBLF203	17	81	63.5	56	9.5	8	9.5	18	25.5	22	6	M6	SB203	LF203	0.3
SBLF203-11	11/16	3-3/16	2-1/2	2-13/64	3/8	5/16	3/8	45/64	1	0.8661	0.2362	1/4	SB203-11	LF203	0.3
SBLF204	20	90	71.5	61	11	10	11	20	29	25	7	M8	SB204	LF204	0.3
SBLF204-12	3/4	3-35/64	2-13/16	2-13/32	7/16	25/64	7/16	25/32	1-9/64	0.9843	0.2756	5/16	SB204-12	LF204	0.3
SBLF205	25	95	76	64	11	10	11	20	30.5	27	7.5	M8	SB205	LF205	0.4
SBLF205-13	13/16	3-3/4	2-63/64	2-33/64	7/16	25/64	7/16	25/32	1-13/64	1.063	2953	5/16	SB205-13	LF205	0.4
SBLF205-14	7/8	3-3/4	2-63/64	2-33/64	7/16	25/64	7/16	25/32	1-13/64	1.063	2953	5/16	SB205-14	LF205	0.4
SBLF205-15	15/16	3-3/4	2-63/64	2-33/64	7/16	25/64	7/16	25/32	1-13/64	1.063	2953	5/16	SB205-15	LF205	0.4
SBLF205-16	1	3-3/4	2-63/64	2-33/64	7/16	25/64	7/16	25/32	1-13/64	1.063	2953	5/16	SB205-16	LF205	0.4
SBLF206	30	113	90.5	76	12	12	12	22.5	34	30	8	M10	SB206	LF206	0.6
SBLF206-17	1-1/16	4-7/16	3-9/16	3	15/32	15/32	15/32	57/64	1-11/32	1.1811	0.315	3/8	SB206-17	LF206	0.6
SBLF206-18	1-1/8	4-7/16	3-9/16	3	15/32	15/32	15/32	57/64	1-11/32	1.1811	0.315	3/8	SB206-18	LF206	0.6
SBLF206-19	1-3/16	4-7/16	3-9/16	3	15/32	15/32	15/32	57/64	1-11/32	1.1811	0.315	3/8	SB206-19	LF206	0.6
SBLF206-20	1-1/4	4-7/16	3-9/16	3	15/32	15/32	15/32	57/64	1-11/32	1.1811	0.315	3/8	SB206-20	LF206	0.6
SBLF207	35	122	100	89	13	12	13	24	36.5	32	8.5	M10	SB207	LF207	0.8
SBLF207-20	1-1/4	4-13/16	3-15/16	3-1/2	33/64	15/32	33/64	61/64	1-7/15	1.2598		3/8	SB207-20	LF207	0.8
SBLF207-21	1-5/16	4-13/16	3-15/16	3-1/2	33/64	15/32	33/64	61/64	1-7/16	1.2598	0.3346	3/8	SB207-21	LF207	0.8
SBLF207-22	1-3/8	4-13/16	3-15/16	3-1/2	33/64	15/32	33/64	61/64	1-7/16	1.2598	0.3346	3/8	SB207-22	LF207	0.8
SBLF207-23	1-7/16	4-13/16	3-15/16	3-1/2	33/64	15/32	33/64	61/64	1-7/16	1.2598	0.3346	3/8	SB207-23	LF207	0.8

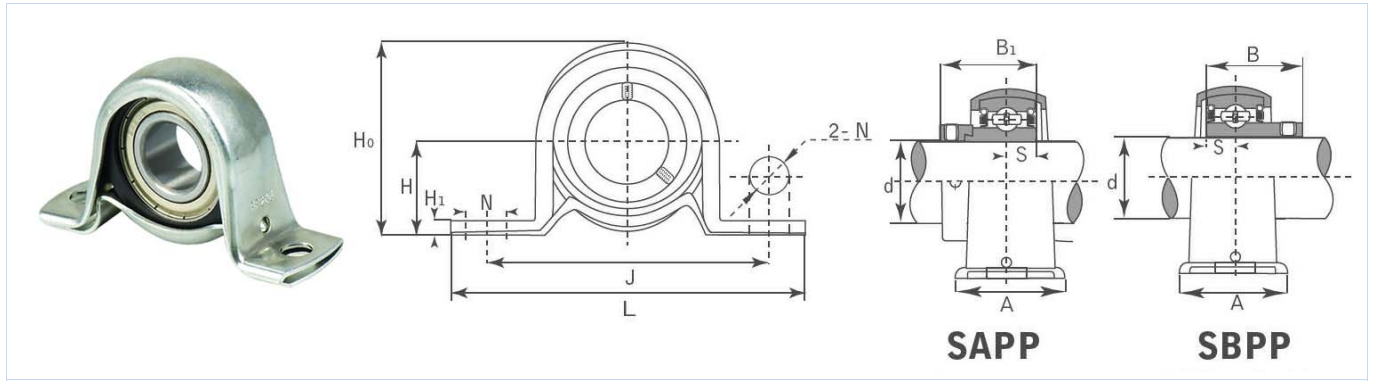




**SAPP200**

Part No.	Dimension (mm)											Bearing No.	Housing No.	Mass (kg)
	d	H	L	J	A	N	H1	H0	B1	S	Bolt			
SAPP201	12	22.2	86	68	25	9.5	3.2	43.8	28.6	6.5	M8	SA201	PP203	0.19
SAPP201-8	1/2	7/8	3-3/8	2-43/64	63/64	3/8	0.126	1-23/32	1.126	0.2559	5/16	SA201-8	PP203	0.19
SAPP202	15	22.2	86	68	25	9.5	3.2	43.8	28.6	6.5	M8	SA202	PP203	0.19
SAPP202-9	9/16	7/8	3-3/8	2-43/64	63/64	3/8	0.126	1-23/32	1.126	0.2559	5/16	SA202-9	PP203	0.19
SAPP202-10	5/8	7/8	3-3/8	2-43/64	63/64	3/8	0.126	1-23/32	1.126	0.2559	5/16	SA202-10	PP203	0.19
SAPP203	17	22.2	86	68	25	9.5	3.2	43.8	28.6	6.5	M8	SA203	PP203	0.19
SAPP203-11	11/16	7/8	3-3/8	2-43/64	63/64	3/8	0.126	1-23/32	1.126	0.2559	5/16	SA203-11	PP203	0.19
SAPP204	20	25.4	98	76	32	9.5	3.2	50.5	31	7.5	M8	SA204	PP204	0.23
SAPP204-12	3/4	1	3-27/32	2-63/64	1-1/4	3/8	0.126	1-63/64	1.2204	0.2953	5/16	SA204-12	PP204	0.23
SAPP205	25	28.6	108	86	32	11.5	4	56.6	31	7.5	M10	SA205	PP205	0.32
SAPP205-13	13/16	1-1/8	4-1/4	3-25/64	1-1/4	29/64	0.157	2-15/64	1.2204	0.2953	3/8	SA205-13	PP205	0.32
SAPP205-14	7/8	1-1/8	4-1/4	3-25/64	1-1/4	29/64	0.157	2-15/64	1.2204	0.2953	3/8	SA205-14	PP205	0.32
SAPP205-15	15/16	1-1/8	4-1/4	3-25/64	1-1/4	29/64	0.157	2-15/64	1.2204	0.2953	3/8	SA205-15	PP205	0.32
SAPP205-16	1	1-1/8	4-1/4	3-25/64	1-1/4	29/64	0.157	2-15/64	1.2204	0.2953	3/8	SA205-16	PP205	0.32
SAPP206	30	33.3	117	95	38	11.5	4	66.3	35.7	9	M10	SA206	PP206	0.5
SAPP206-17	1-1/16	1-5/16	4-39/64	3-47/64	1-1/2	29/64	0.157	2-39/64	1.4055	0.3543	3/8	SA206-17	PP206	0.5
SAPP206-18	1-1/8	1-5/16	4-39/64	3-47/64	1-1/2	29/64	0.157	2-39/64	1.4055	0.3543	3/8	SA206-18	PP206	0.5
SAPP206-19	1-3/16	1-5/16	4-39/64	3-47/64	1-1/2	29/64	0.157	2-39/64	1.4055	0.3543	3/8	SA206-19	PP206	0.5
SAPP206-20	1-1/4	1-5/16	4-39/64	3-47/64	1-1/2	29/64	0.157	2-39/64	1.4055	0.3543	3/8	SA206-20	PP206	0.5
SAPP207	35	39.7	129	106	42	11.5	4.6	78	38.9	9.5	M10	SA207	PP207	0.71
SAPP207-20	1-1/4	1-9/16	5-5/64	4-5/32	1-21/32	29/64	0.181	3-1/8	1.5315	0.374	3/8	SA207-20	PP207	0.71
SAPP207-21	1-5/16	1-9/16	5-5/64	4-5/32	1-21/32	29/64	0.181	3-1/8	1.5315	0.374	3/8	SA207-21	PP207	0.71
SAPP207-22	1-3/8	1-9/16	5-5/64	4-5/32	1-21/32	29/64	0.181	3-1/8	1.5315	0.374	3/8	SA207-22	PP207	0.71
SAPP207-23	1-7/16	1-9/16	5-5/64	4-5/32	1-21/32	29/64	0.181	3-1/8	1.5315	0.374	3/8	SA207-23	PP207	0.71
SAPP208	40	43.7	148	120	43	13	5	86.2	43.7	11	M12	SA208	PP208	0.91
SAPP208-24	1-1/2	1-23/32	5-53/64	4-47/64	1-11/16	33/64	0.197	3-25/64	1.7205	0.433	7/16	SA208-24	PP208	0.91
SAPP208-25	1-9/16	1-23/32	5-53/64	4-47/64	1-11/16	33/64	0.197	3-25/64	1.7205	0.433	7/16	SA208-25	PP208	0.91
SAPP209	45	46.8	156	128	45	13	6	92.3	43.7	11	M12	SA209	PP209	1.09
SAPP209-26	1-5/8	1-27/32	6-9/64	5-3/64	1-25/32	33/64	0.236	3-41/64	1.7205	0.433	7/16	SA209-26	PP209	1.09
SAPP209-27	1-11/16	1-27/32	6-9/64	5-3/64	1-25/32	33/64	0.236	3-41/64	1.7205	0.433	7/16	SA209-27	PP209	1.09
SAPP209-28	1-3/4	1-27/32	6-9/64	5-3/64	1-25/32	33/64	0.236	3-41/64	1.7205	0.433	7/16	SA209-28	PP209	1.09

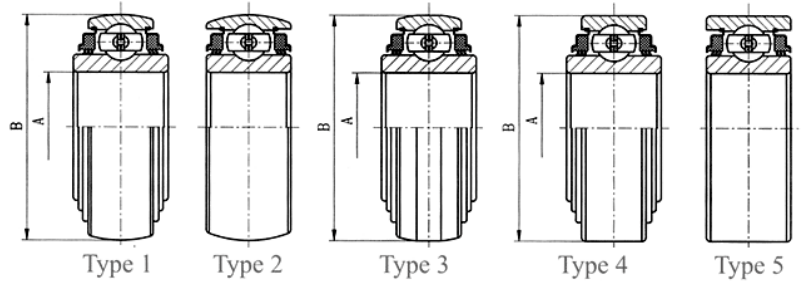




**SBPP200**

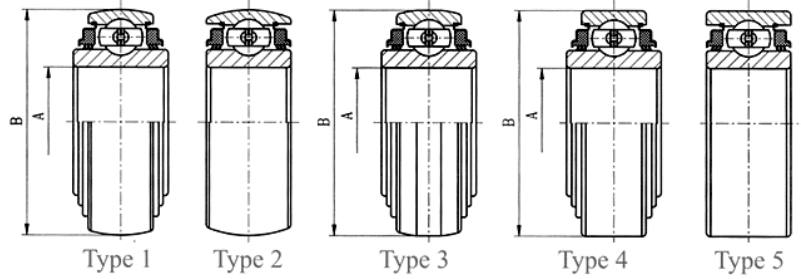
Part No.	Dimension (mm)											Bearing No.	Housing No.	Mass (kg)
	d	H	L	J	A	N	H1	H0	B1	S	Bolt			
SBPP201	12	22.2	86	68	25	9.5	3.2	43.8	22	6	M8	SB201	PP203	0.16
SBPP201-8	1/2	7/8	3-3/8	2-43/64	63/64	3/8	0.126	1-23/32	0.8661	0.2362	5/16	SB201-8	PP203	0.16
SBPP202	15	22.2	86	68	25	9.5	3.2	43.8	22	6	M8	SB202	PP203	0.16
SBPP202-9	9/16	7/8	3-3/8	2-43/64	63/64	3/8	0.126	1-23/32	0.8661	0.2362	5/16	SB202-9	PP203	0.16
SBPP202-10	5/8	7/8	3-3/8	2-43/64	63/64	3/8	0.126	1-23/32	0.8661	0.2362	5/16	SB202-10	PP203	0.16
SBPP203	17	22.2	86	68	25	9.5	3.2	43.8	22	6	M8	SB203	PP203	0.16
SBPP203-11	11/16	7/8	3-3/8	2-43/64	63/64	3/8	0.126	1-23/32	0.8661	0.2362	5/16	SB203-11	PP203	0.16
SBPP204	20	25.4	98	76	32	9.5	3.2	50.5	25	7	M8	SB204	PP204	0.23
SBPP204-12	3/4	1	3-27/32	2-63/64	1-1/4	3/8	0.126	1-63/64	0.9843	0.2756	5/16	SB204-12	PP204	0.23
SBPP205	25	28.6	108	86	32	11.5	4	56.6	27	7.5	M10	SB205	PP205	0.28
SBPP205-13	13/16	1-1/8	4-1/4	3-25/64	1-1/4	29/64	0.157	2-15/64	1.063	0.2953	3/8	SB205-13	PP205	0.28
SBPP205-14	7/8	1-1/8	4-1/4	3-25/64	1-1/4	29/64	0.157	2-15/64	1.063	0.2953	3/8	SB205-14	PP205	0.28
SBPP205-15	15/16	1-1/8	4-1/4	3-25/64	1-1/4	29/64	0.157	2-15/64	1.063	0.2953	3/8	SB205-15	PP205	0.28
SBPP205-16	1	1-1/8	4-1/4	3-25/64	1-1/4	29/64	0.157	2-15/64	1.063	0.2953	3/8	SB205-16	PP205	0.28
SBPP206	30	33.3	117	95	38	11.5	4	66.3	30	8	M10	SB206	PP206	0.47
SBPP206-17	1-1/16	1-5/16	4-39/64	3-47/64	1-1/2	29/64	0.157	2-39/64	1.1811	0.315	3/8	SB206-17	PP206	0.47
SBPP206-18	1-1/8	1-5/16	4-39/64	3-47/64	1-1/2	29/64	0.157	2-39/64	1.1811	0.315	3/8	SB206-18	PP206	0.47
SBPP206-19	1-3/16	1-5/16	4-39/64	3-47/64	1-1/2	29/64	0.157	2-39/64	1.1811	0.315	3/8	SB206-19	PP206	0.47
SBPP206-20	1-1/4	1-5/16	4-39/64	3-47/64	1-1/2	29/64	0.157	2-39/64	1.1811	0.315	3/8	SB206-20	PP206	0.47
SBPP207	35	39.7	129	106	42	11.5	4.6	78	32	8.5	M10	SB207	PP207	0.57
SBPP207-20	1-1/4	1-9/16	5-5/64	4-5/32	1-21/32	29/64	0.181	3-1/8	1.2598	0.3346	3/8	SB207-20	PP207	0.57
SBPP207-21	1-5/16	1-9/16	5-5/64	4-5/32	1-21/32	29/64	0.181	3-1/8	1.2598	0.3346	3/8	SB207-21	PP207	0.57
SBPP207-22	1-3/8	1-9/16	5-5/64	4-5/32	1-21/32	29/64	0.181	3-1/8	1.2598	0.3346	3/8	SB207-22	PP207	0.57
SBPP207-23	1-7/16	1-9/16	5-5/64	4-5/32	1-21/32	29/64	0.181	3-1/8	1.2598	0.3346	3/8	SB207-23	PP207	0.57
SBPP208	40	43.7	148	120	43	13	5	86.2	34	9	M12	SB208	PP208	0.78
SBPP208-24	1-1/2	1-23/32	5-53/64	4-47/64	1-11/16	33/64	0.197	3-25/64	1.3386	0.354	7/16	SB208-24	PP208	0.78
SBPP208-25	1-9/16	1-23/32	5-53/64	4-47/64	1-11/16	33/64	0.197	3-25/64	1.3386	0.354	7/16	SB208-25	PP208	0.78
SBPP209	45	46.8	156	128	45	13	6	92.3	41.2	10.2	M12	SB209	PP209	1.02
SBPP209-26	1-5/8	1-27/32	6-9/64	5-3/64	1-25/32	33/64	0.236	3-41/64	1.622	0.402	7/16	SB209-26	PP209	1.02
SBPP209-27	1-11/16	1-27/32	6-9/64	5-3/64	1-25/32	33/64	0.236	3-41/64	1.622	0.402	7/16	SB209-27	PP209	1.02
SBPP209-28	1-3/4	1-27/32	6-9/64	5-3/64	1-25/32	33/64	0.236	3-41/64	1.622	0.402	7/16	SB209-28	PP209	1.02





### Round bore

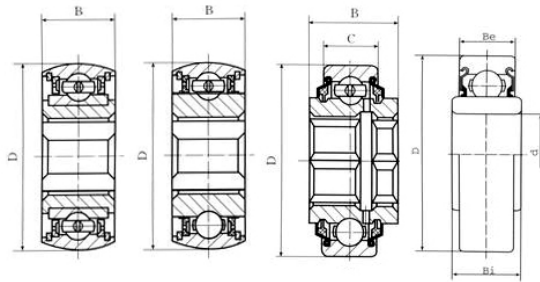
Bearing No.		Dimension (mm)					Load rating (KN)		Mass
CMB	type	d	D	C	B	h	Cr	Cor	(kg)
GW209PPB11	2	45.24	85	22	36.53	6.6	24.36	17.71	0.573
GW209PPB4	1	39	85	30.18	30.18	6.6	24.36	17.71	0.603
GW209PPB2	1	45	85	30.18	30.18	6.6	24.36	17.71	0.582
GW210PP3	4	37.53	90	30.18	30.18	6.6	27.5	20.2	1.022
GW210PPB5	1	45.34	90	30.18	30.18	6.6	27.5	20.2	0.648
GW210PPB2	1	49.225	90	30.18	30.18	6.6	27.5	20.2	0.616
GW210PPB9	4	49.4	90	23	36.53	6.6	27.5	20.2	0.793
GW211PPB13	2	45.34	100	25	33.34	7.67	33.4	25.1	0.985
GW211PPB14	2	51.18	100	25	33.34	7.67	33.4	25.1	0.99
GW211PPB8	2	55.575	100	25	33.34	7.67	33.4	25.1	0.75
GW211PPB2	1	55.575	100	33.34	33.34	7.67	33.4	25.1	0.81
GW211PP2	4	55.575	100	33.34	33.34	7.67	33.4	25.1	0.88
GW211PPB10	1	49.225	100	33.34	33.34	7.67	33.4	25.1	1.026
GW211PPB9	2	55.75	100	25	36.69	7.67	33.4	25.1	0.917
GW214PPB6	2	68.28	125	28	68.26	9	46.79	37.59	1.362
GW214PPB2	1	70	125	39.69	39.69	9	46.79	37.59	1.666
GW214PP2	4	70	125	39.69	39.69	9	46.79	37.59	1.902
W208PPB7	1	30.175	80	18	30.18		22.71	15.94	0.558
W208PPB2	1	38.113	80	18	42.96		22.71	15.94	0.598
W208PPB10	3	38.113	80	21	42.96		22.71	15.94	0.817
W208PPB23	1	39	80	30.18	42.96		22.71	15.94	0.817
W209PPB4	2	45	85	30.18	30.18		24.36	17.71	0.659
W209PPB2		38.826	85	30.18	30.18		24.36	17.71	0.566
W210PP8	4	45.34	90	30.18	30.18		27.5	20.2	0.836
W210PPB5	2	49.225	90	30.18	30.18		27.5	20.2	0.749
W210PPB2	2	49.225	90	30.18	30.18		27.5	20.2	0.708
W210PP2	4	55.575	100	30.18	30.18		27.5	20.2	0.667
W211PPB2	2	55.575	100	33.34	33.34		33.4	25.1	1
W211PP2	4	55.575	100	33.34	33.34		33.4	25.1	1
W214PPB2	2	70	125	39.69	39.69		46.79	37.59	1.667
W214PP2	4	70	125	39.69	39.69		46.79	37.59	1.902
W214PPB9	1	70.26	125	28	44.45		46.79	37.59	1.902



### Square bore

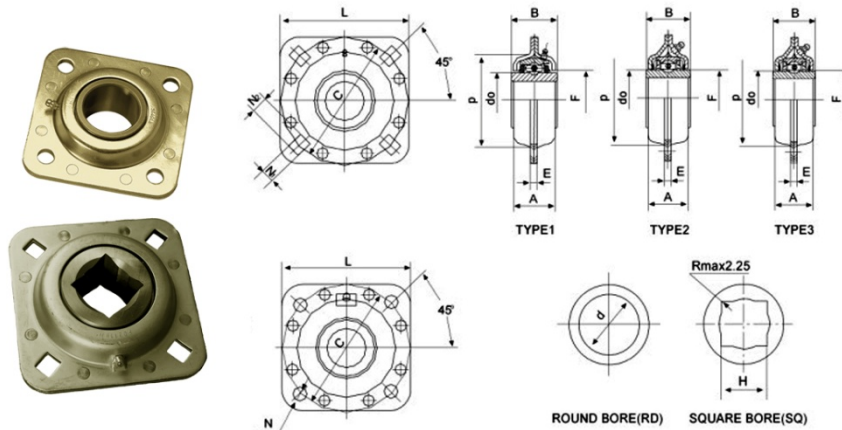
Bearing No.		Dimension (mm)						Load rating (KN)		Mass
	type	H	d1	D	C	B	h	Cr	Cor	(kg)
GW208PPB6	2	26	28	80	18	36.53	6.3	22.71	15.94	0.72
GW208PPB5	2	29.97	32	80	21	36.53	6.3	22.71	15.94	0.62
GW208PPB8	2	29.97	32	80	30.18	36.53	6.3	22.71	15.94	0.658
GW209PPB17	2	29.97	32	85	30.18	36.53	6.3	22.71	15.94	1.922
GW209PPB5	2	33	35	85	30.18	36.53	6.6	24.36	17.71	0.795
GW210PPB8	2	33	35	85	22	36.53	6.6	24.36	17.71	0.749
GW210PPB4	4	29.97	32	90	30.18	30.18	6.6	27.5	20.2	0.84
GW211PPB4	1	29.97	32	90	30.18	30.18	6.6	27.5	20.2	0.89
GW211PPB3	1	38.89	42	100	33.34	33.34	7.67	27.5	25.1	1.036
GW211PP3	4	38.89	42	100	33.34	33.34	7.67	33.4	25.1	1.106
GW211PP17	3	38.89	42	100	33.34	44.45	7.67	33.4	25.1	1.252
GW214PPB4	1	52.2	54.9	125	36.69	36.69	9	46.79	37.59	2.157
W208PPB13	1	22.97	24	80	18	36.53		22.71	15.94	0.69
W208PPB6	1	26	28	80	18	36.53		22.71	15.94	0.652
W208PP6	3	26	32	80	18	36.53		22.71	15.94	0.662
W208PPB5	1	29.97	32	80	18	36.53		22.71	15.94	0.59
W208PPB8	1	29.97	32	80	30.18	36.53		22.71	15.94	0.735
W208PP5	3	29.97	32	80	18	36.53		22.71	15.94	0.6
W208PP20	3	29.97	32	80	18	36.53		22.71	15.94	0.681
W208PP8	3	29.97	32	80	30.18	36.53		22.71	15.94	0.709
W209PPB5	1	33	32	85	30.18	36.53		24.36	17.11	0.945
W210PP4	4	29.97	32	100	30.18	30.18		27.5	20.2	1.049
W210PPB6	1	29.97	32	90	30.18	36.53		27.5	20.2	0.733
W210PPB4	2	29.97	32	90	30.18	30.18		27.5	20.2	0.846
W211PPB3	2	38.89	42	100	33.34	33.34		33.4	25.1	1.208
W211PP3	4	38.89	42	100	33.34	33.34		33.4	25.1	1.271
W211PP5	3	38.89	42	101.6	44.45	44.45		33.4	25.1	1.302
W208PPB11	1	22.97	24	87.31	30.18	36.53		22.7	15.94	0.956
W208PPB12	1	22.97	32	87.31	30.18	36.53		22.71	15.94	0.953
209 1 3/4	2				30.18	36.53		24.36	17.71	0.702
W211PPB6	1	38.89	42	104.9	36.53	44.45		33.4	25.1	1.61





**Hex bore**

Bearing No.	Dimension (mm/inch)				Mass (g)
	d(mm/inch)	D(mm/inch)	B(mm/inch)	C(mm/inch)	
205KPP2	22.250 /0.876	52.000 /2.047	25.400 /1.000	15.000 /0.591	0.17
205KPPB2	22.250 /0.876	52.000 /2.047	25.400 /1.000	15.000 /0.591	0.261
205KRR2	22.250 /0.876	52.000 /2.047	25.400 /1.000	15.000 /0.591	0.172
205KRRB2	22.250 /0.876	52.000 /2.047	25.400 /1.000	15.000 /0.591	0.25
G206KPPB4	25.430 /1.001	62.000 /2.441	24.000 /0.945	18.000 /0.709	0.278
206KPPB6	25.430 /1.001	62.000 /2.441	24.000 /0.945	16.000 /0.630	0.75
206KRR6	25.430 /1.001	62.000 /2.441	24.000 /0.945	16.000 /0.630	0.274
206KRRB6	25.430 /1.001	62.000 /2.441	24.000 /0.945	16.000 /0.630	0.265
G207KPPB2	28.600 /1.126	72.000 /2.835	37.700 /1.484	19.000 /0.748	0.514
207KRRB12	28.600 /1.126	72.000 /2.835	25.000 /0.984	17.000 /0.669	0.391
207KRRB9	28.600 /1.126	72.000 /2.835	37.700 /1.484	17.000 /0.669	0.49
209KRRB2	38.150 /1.502	85.000 /3.346	30.000 /1.181	19.000 /0.748	0.63
G209KPPB2	38.150 /1.502	85.000 /3.346	30.000 /1.181	19.000 /0.748	0.629



**Disk harrow units**

Bearing No.	type	Dimension (mm)										Mass (kg)	
		d	L	B	A	E	H1	F	C	4-Holes			
ST491B	1,2	38.86	127	42.8	42	7	59.5	97.5	127	13.5	13.5	17.45	1.7
ST209-40R	1,2	40.878	127	42.8	42	7	59.5	97.5	127	13.5	13.5	17.45	3.38
ST491A	1,2	45	127	42.8	42	7	59.5	97.5	127	13.5	13.5	17.45	1.515
ST209-45R	1,2	45.34	127	42.8	42	7	59.5	97.5	127	13.5	13.5	17.45	1.54
ST211-50R	2	50.4	127	50.8	46.4	9	72.5	113	139.7	13.5	13.5	17.45	2.606
ST211-55R	2	55.575	139.7	50.8	46.4	9	72.5	113	139.7	13.5	13.5	17.45	2.525
ST211-1 3/4	1,2	45.212	139.7	55.6	46.4	9	72.5	113	139.7	13.5	13.5	17.45	2.7
ST211-2 3/16	1,2	55.575	139.7	55.6	46.4	9	72.5	113	139.7	13.5	13.5	17.45	2.25
ST211-1 15/16	1,2	49.238	139.7	69.9	46.4	9	72.5	113	139.7	13.5	13.5	17.45	2.272
ST208-1N	1		121	36.5	35	7	55	92	121		13.5	13.5	1.348
ST208	1		121	36.5	29.8	7	74.2	92	121		13.5	13.5	0.981
ST209-1 3/4	2	45.24	14.9	36.5	49.4	8	69.5	95	149		13.4	13.4	1.941
ST211-2 3/16JD	2	55.7	167	39.4	56.4	#	82.6	112	167		13.4	13.4	2.5
ST211-33	2		170	33.3	40	8	91.6	92.2	170	13	13	13	2.225
ST209-1 1/8	1,2	29.97	127	42.5	42.8	7	59.5	97.5	127	13.5	13.5	17.45	1.68
ST209-30S	1,2	31.353	127	42.5	42.8	7	59.5	97.5	127	13.5	13.5	17.45	1.68
ST209-1 1/4	1,2	33	127	42.5	42.8	7	59.5	97.5	127	13.5	13.5	17.45	1.674
ST209-40R	1,2	40.878	127	42.5	42.8	7	59.5	97.5	127	13.5	13.5	17.45	1.76
FD-211-RM	1,2	38.89	139.7	50.8	46.4	9	73	114	139.5	13.5	13.5	17.45	2.856
ST211-40S	2	40.878	139.7	50.8	46.4	9	73	114	139.5	13.5	13.5	17.45	2.61



**Imp. dist. de retenes rodamientos y afines S.A.**

Av. Ramón carcamo 720 Lima 1 - Perú  
 Teléfono: (511) 424 7518 / Fax: (511) 423 4099  
 Nextel: 831\*7611 / 818\*3953

Bearing and housing interchange table									
CMB	NTN	FYH	ASAHI	NBR	NSK	FAFNIR	SKF	INA	PEER
UC200	UC200D1	UC200	UC200	UC200	UC200		YAR200	GYE..KRRB	UC200
UC300	UC300D1	UC300	UC300		UC300			GNYE.KRRB	
UEL200	UEL200D1	NA200	UG200	HC200	EW200	G1100KRRB	YEL200	GE.KRRB	HC200
UEL300	UEL300D1				EW300				
UK200	UK200D1	UK200	UK200	UK200	UK200		36200(00)	GNE..KRRB	
UK300	UK300D1	UK300	KU300		UK300			GSH..RRB	
SA200	AEL200	SA200	KH200	SA200	EN200	RAE..RRB			FH200
SB200	AS200	SB200	BO	SB200	UB200	YAE..RRB	YET200	RAE..NPPB	FHS200
SER200	UCS200D1	ER200	SER200	SER200		ER..		AY..NPPB	SER200
Housing									
P200	P200	P200	P200	P200	P200		SY	ER..	P200
P300	P300	P300	P300		P300			ASE..	
F200	F200	F200	F200	F200	F200		FY	ASO..	F200
F300	F300	F300	F300					GJ..	
FL200	FL200	FL200	FL200	FL200	FL200		FYTB	CJO..	FT200
FLU200	FLU200								
FL300	FL300	FL300	FL300					CJT..	
T200	T200	T200	T200	T200	T200				T200
T300	T300	T300	T300						
C200	C200	C200	C200	C200	C200		TU	JUE..	C200
C300	C300	C300	C300						
FC200	FC200	FC200	FC200	FC200	FC200			TUEO..	FC200
FS300	FS300	FS300	FS300		FS300				
PH200	HP200	PH200	PH200		PH200			SHE..	PA200
PA200	UP200	PA200	PA200	PA200	PA200		SYF	SFT..	FA200
FB200	FA200	FA200	FA200	FB200	FA200				FB200
HA200	FH200	FK200	FK200		FK200			HE..	HA200
PF200	HB200	ECH200	ECH200	SH200	EH(PF)200		PF(00)	..MSB	PF-OR
							PFD(00)	..MSTR	
PFT200	PF200	PF200	PF200	F-0	PF200		PFT(00)	..MST	PFT-OZ
		PFT200	PFT200						
PFL200	PFL200	PFL200	PFL200	FL-0					

